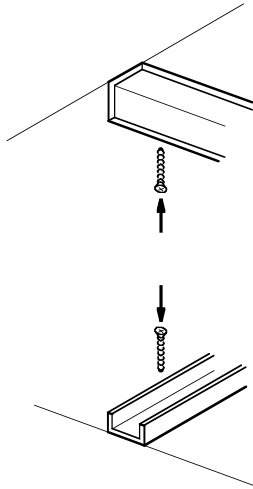
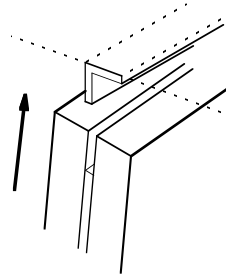




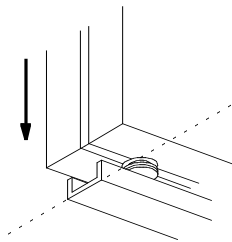
① Fasten top and bottom guides



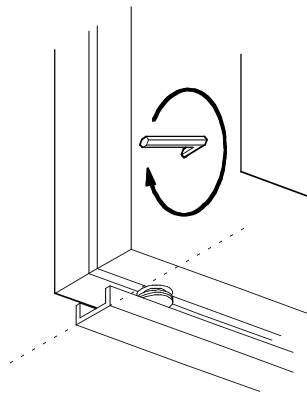
② Slide top door recess onto top guide



③ Place leveler feet into bottom guide



④ Adjust height of blind levelers with allen key



For continuous run of fixed panels be sure to use single piece of top and bottom guide to ensure alignment.