

# Folding End, 2 Panels w/ Single Pivot

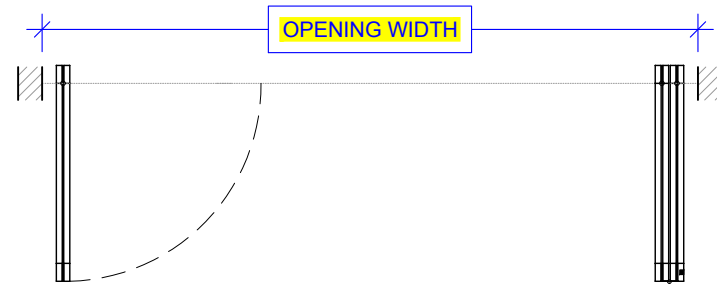
(FE2PV1-100T)

ELEVATION

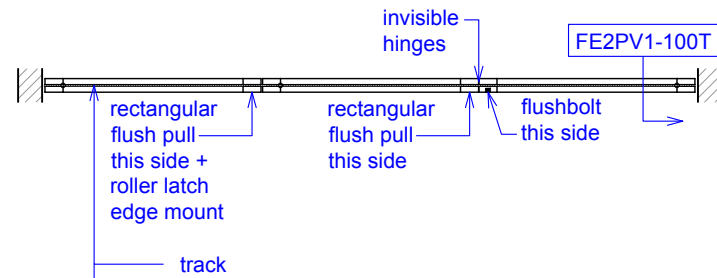
RAYDOOR STANDARD  
SYSTEM DRAWINGS  
©2022



YOUR OPENING HEIGHT = PANEL +  $2\frac{3}{16}$ "  
YOUR OPENING WIDTH = (3 x PANEL) +  $1\frac{5}{16}$ "

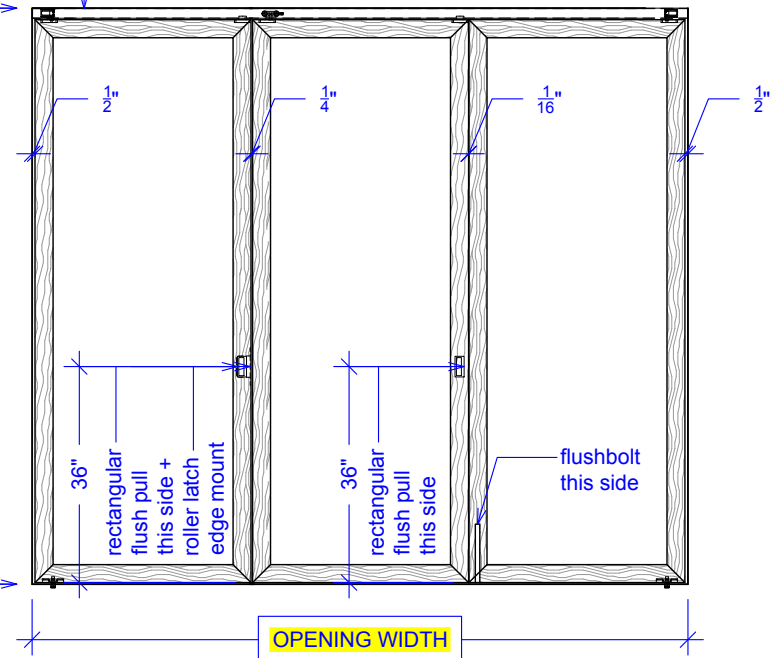
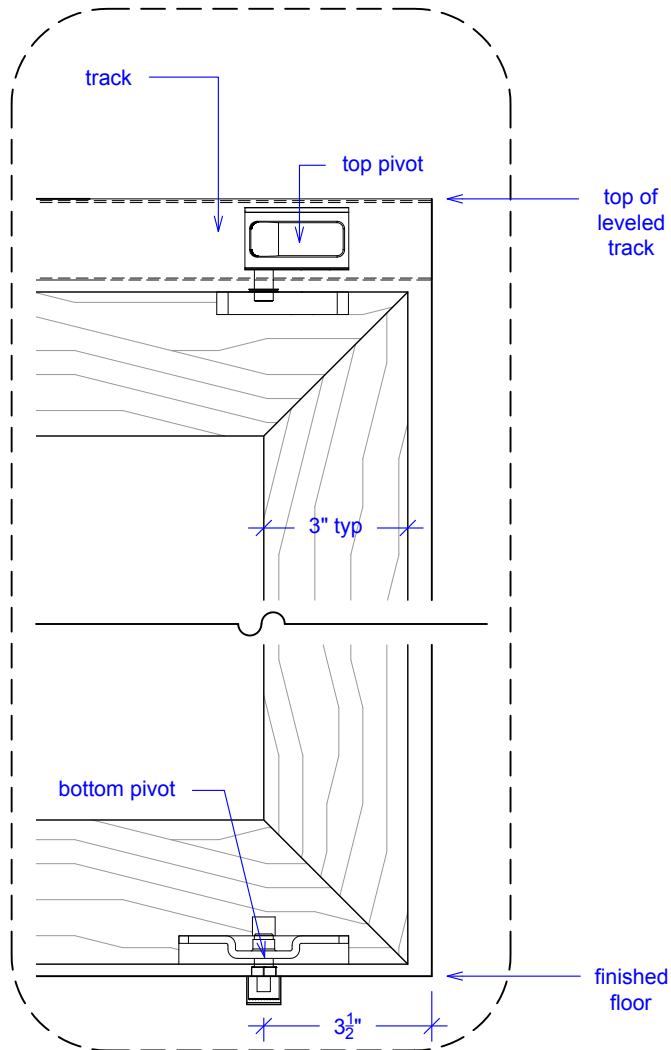


PLAN: open



PLAN: closed

ELEVATION: closed

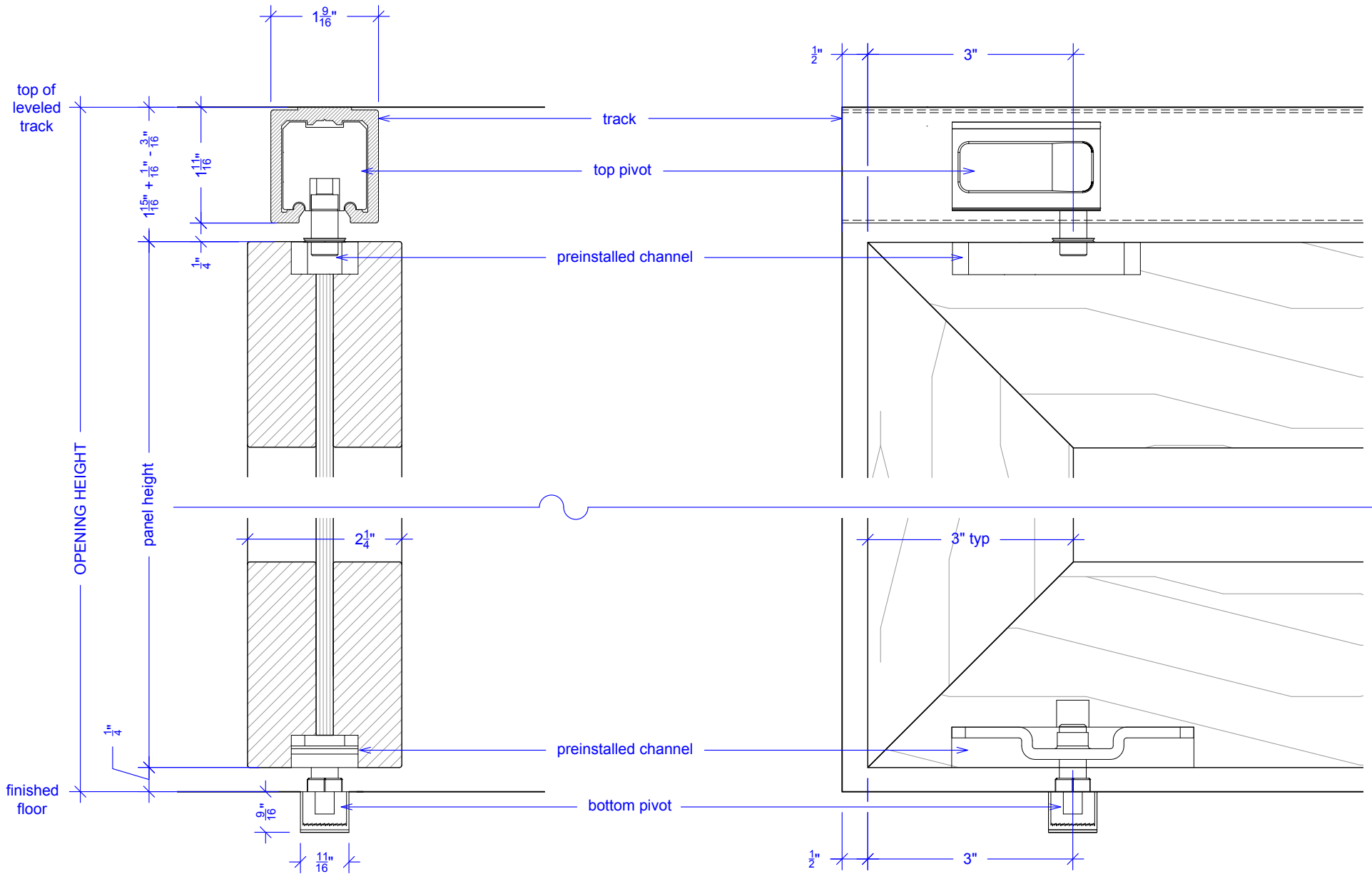


# Folding End, 2 Panels w/ Single Pivot

(FE2PV1-100T)

SECTION

RAYDOOR STANDARD  
SYSTEM DRAWINGS  
©2022



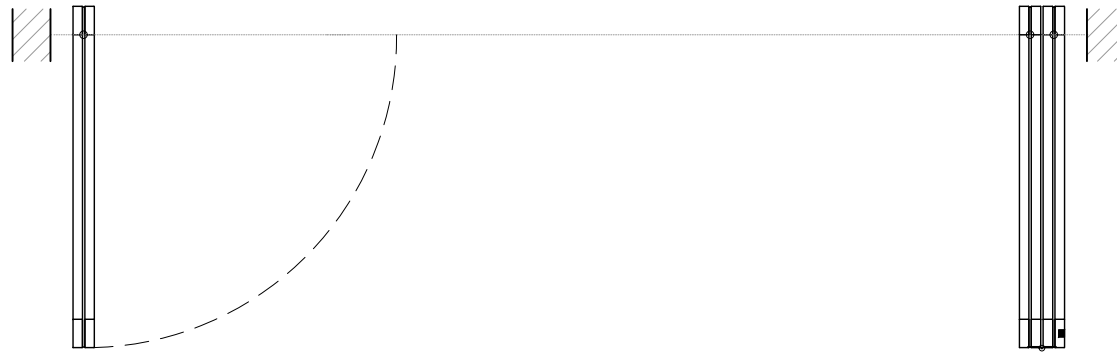
NOTE: each panel weights approximately 75-110 lbs.  
Secure tracks accordingly.

# Folding End, 2 Panels w/ Single Pivot

(FE2PV1-100T)

## OPERATION OVERVIEW

RAYDOOR STANDARD  
SYSTEM DRAWINGS  
©2022



KEY:

◦ pivot

┆ hinge

▪ flushbolt