

SSPE5PV1 sliding stacking perpendicular with pivot – 6 panel

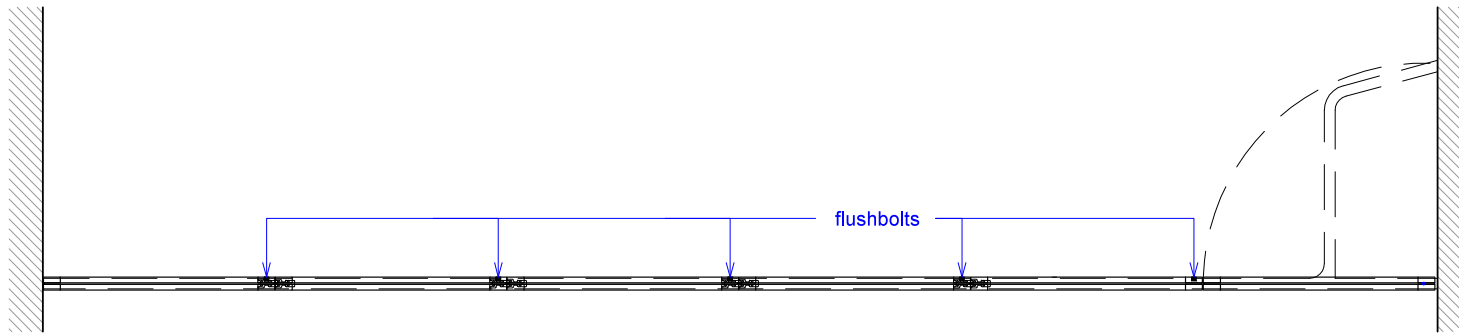
RAYDOOR STANDARD
SYSTEM DRAWINGS
©2016



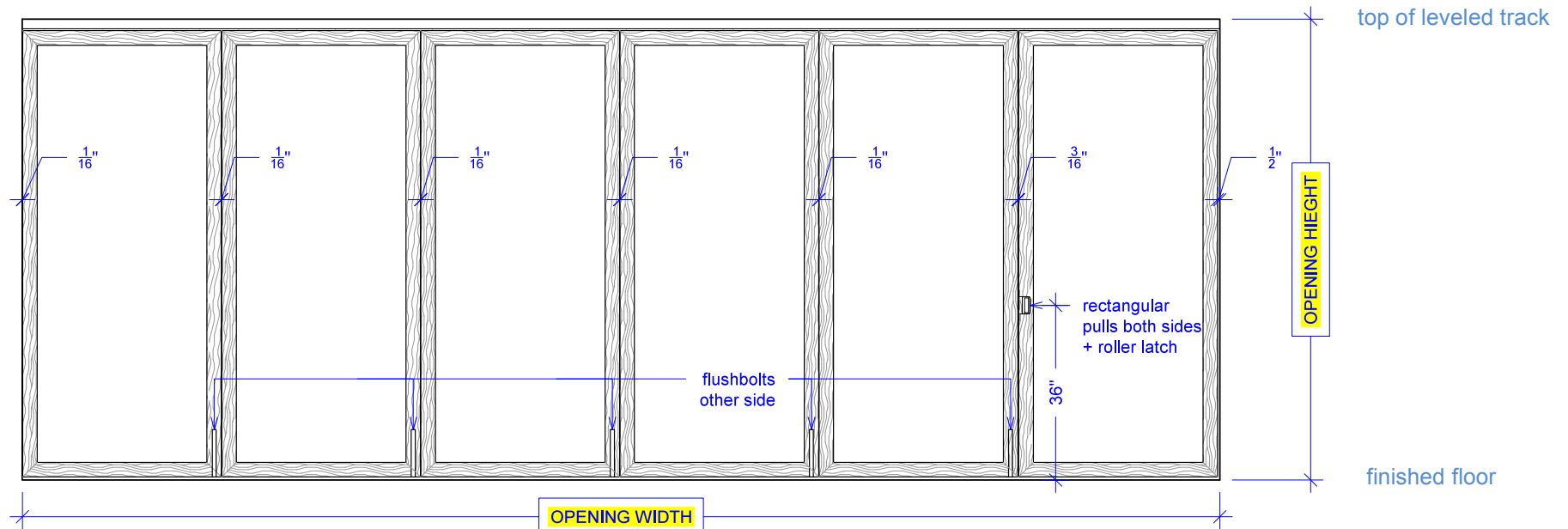
These drawings are generic standards – for details specific to your order, please refer to your custom verification drawings

YOUR OPENING HEIGHT = PANEL + 3"
YOUR OPENING WIDTH = (PANEL x 6) + 1"

PLAN: closed



ELEVATION: closed



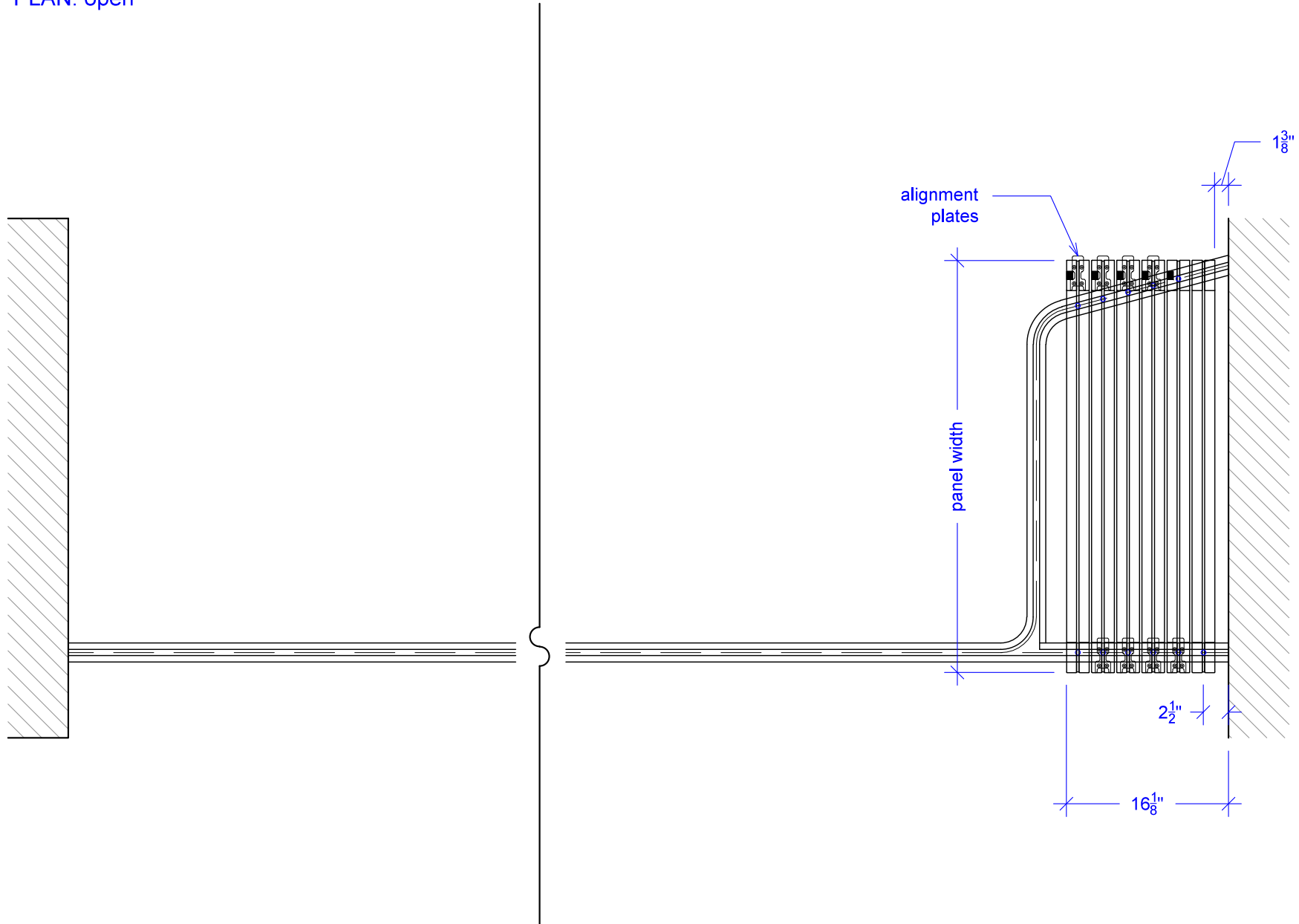
SSPE5PV1 sliding stacking perpendicular with pivot – 6 panel

RAYDOOR STANDARD
SYSTEM DRAWINGS
©2016



These drawings are generic standards – for details specific to your order, please refer to your custom verification drawings

PLAN: open



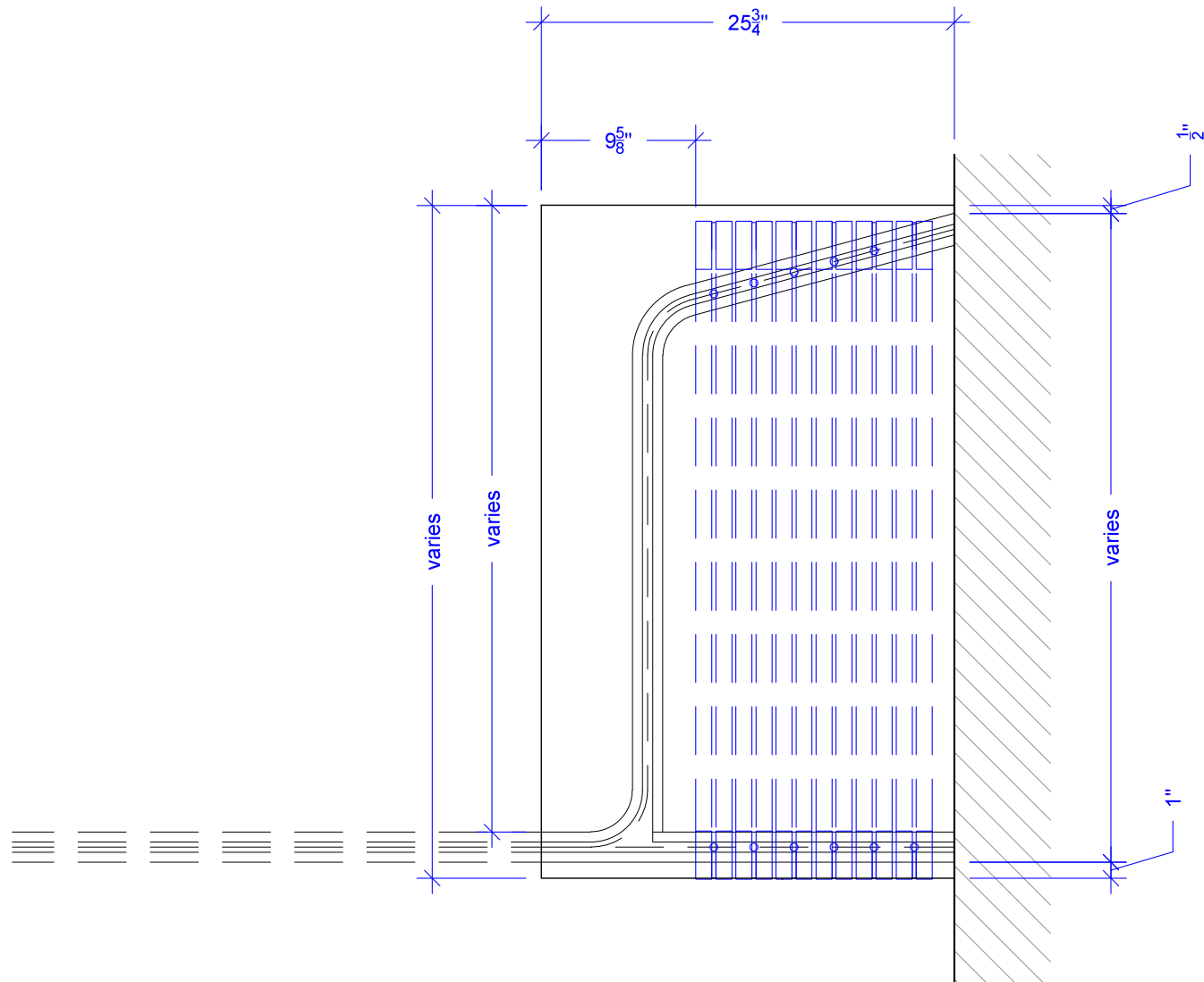
SSPE5PV1 sliding stacking perpendicular with pivot – 6 panel

RAYDOOR STANDARD
SYSTEM DRAWINGS
©2016



These drawings are generic standards – for details specific to your order, please refer to your custom verification drawings

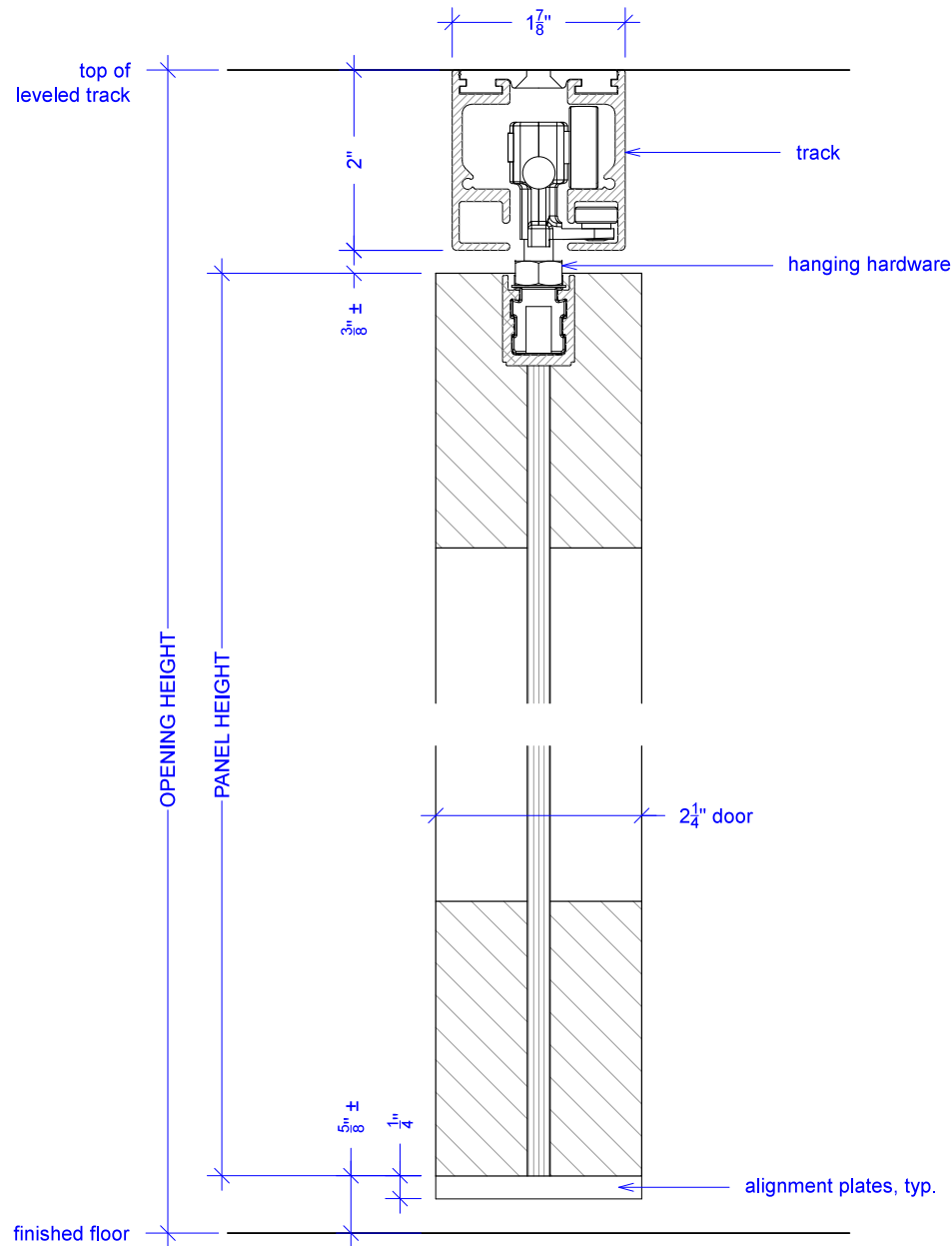
Stacking Area:
reflected ceiling plan



SSPEPV sliding stacking perpendicular with pivot



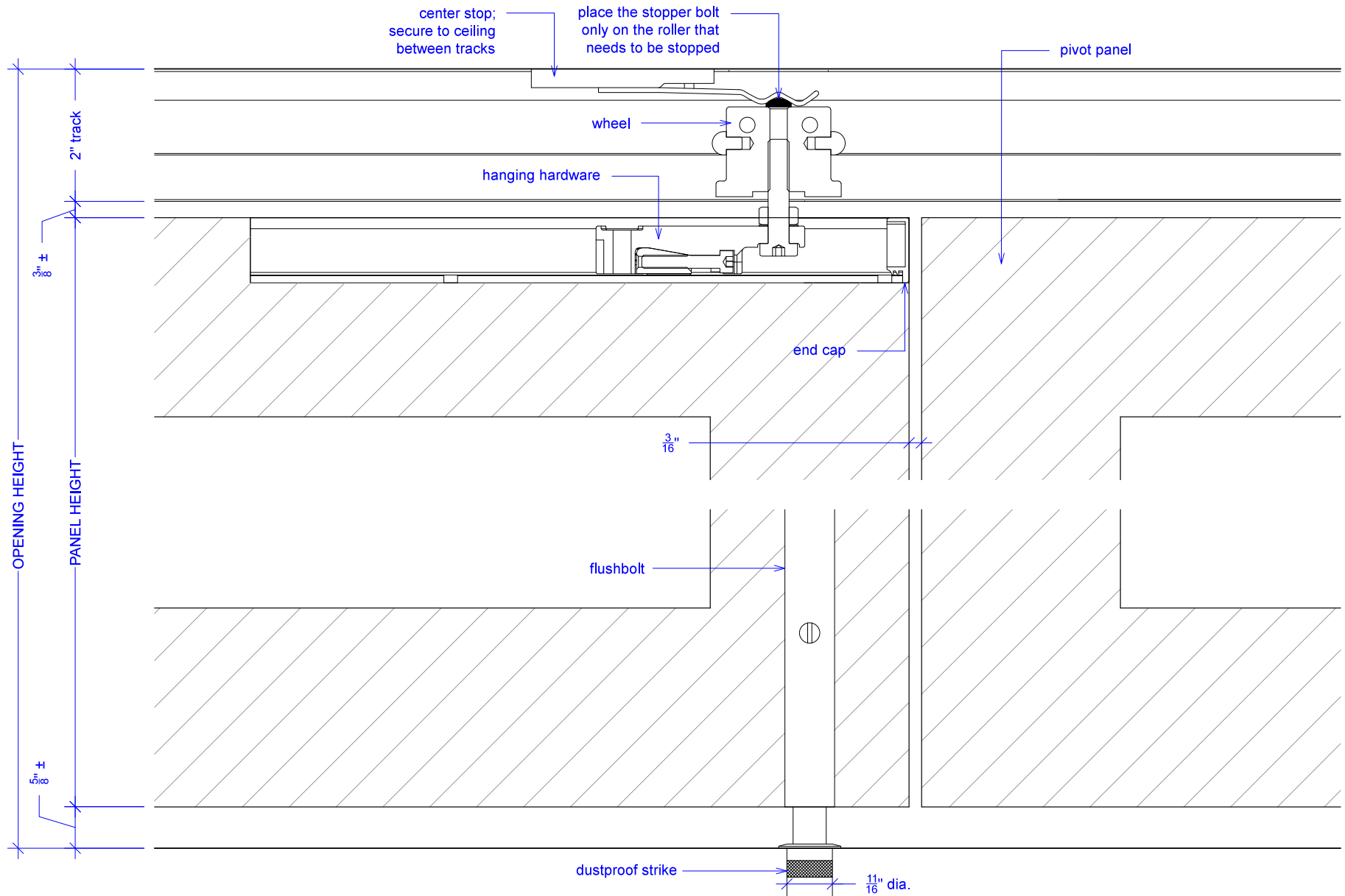
Important Notes:
Each panel weighs approximately 85-110lbs. Secure tracks accordingly.
This page represents GENERIC system detail. Please refer to Elevation page for your custom configuration.



SSPEPV sliding stacking perpendicular with pivot



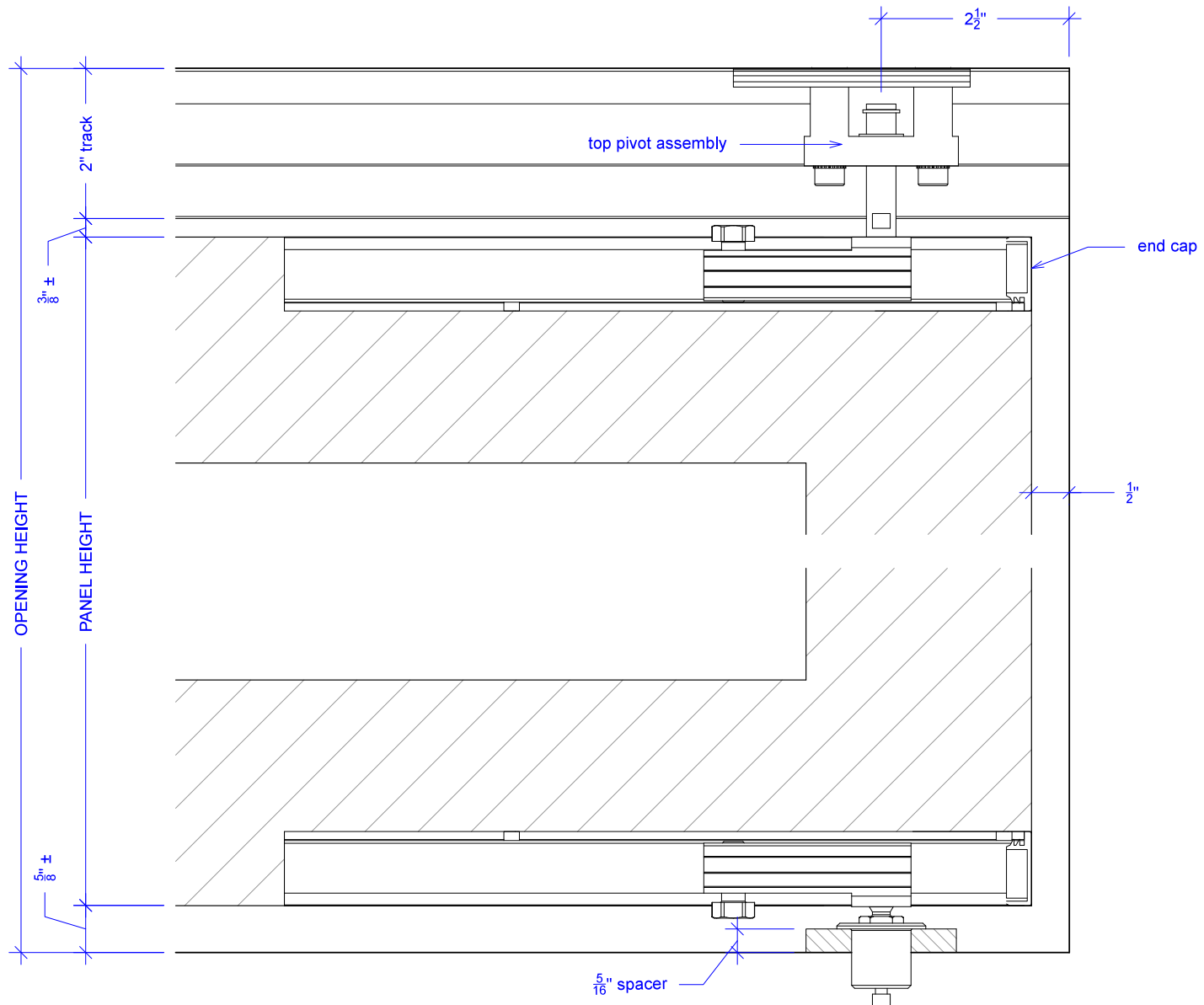
Important Notes:
Each panel weighs approximately 85-110lbs. Secure tracks accordingly.
This page represents GENERIC system detail. Please refer to Elevation page
for your custom configuration.



SSPEPV sliding stacking perpendicular with pivot



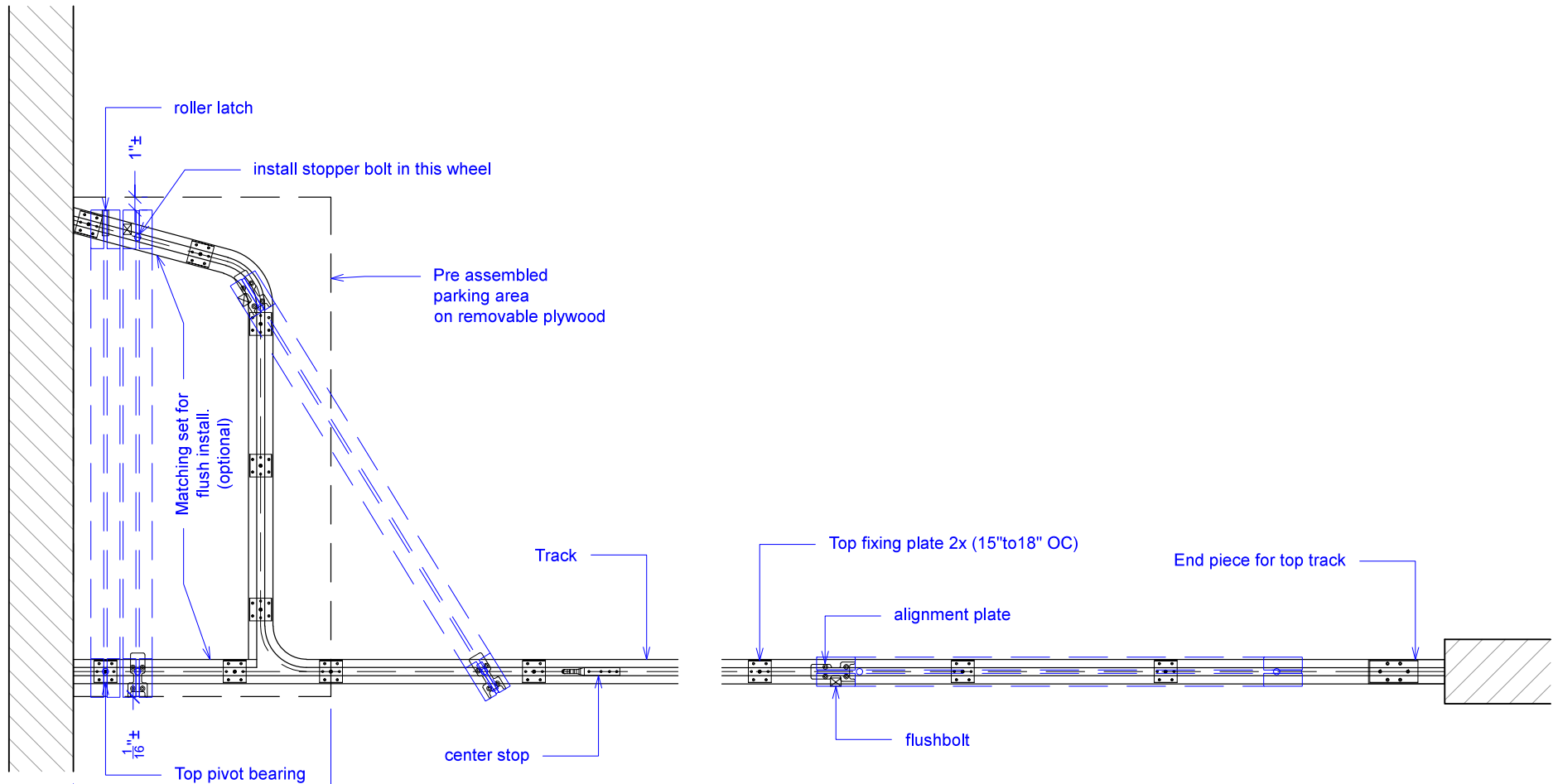
Important Notes:
Each panel weights approximately 85-100lbs. Secure tracks accordingly.
This page represents GENERIC system detail. Please refer to Elevation page
for your custom configuration.





Important Notes:

Each panel weighs approximately 85-110lbs. Secure tracks accordingly.
This page represents GENERIC system detail. Please refer to Elevation page
for your custom configuration.



*depending on number of panels,
please refer to your custom Build Order,
approximately: $(N \times 2.5'') + 10\frac{3}{4}''$,
where N = number of panels

SSPEPV sliding stacking perpendicular with pivot

RAYDOOR STANDARD
SYSTEM DRAWINGS
©2016



Important Notes:

Each panel weighs approximately 85-110lbs. Secure tracks accordingly.
This page represents GENERIC system detail. Please refer to Elevation page for your custom configuration.

