

SSPE3 sliding stacking perpendicular – 3 panel

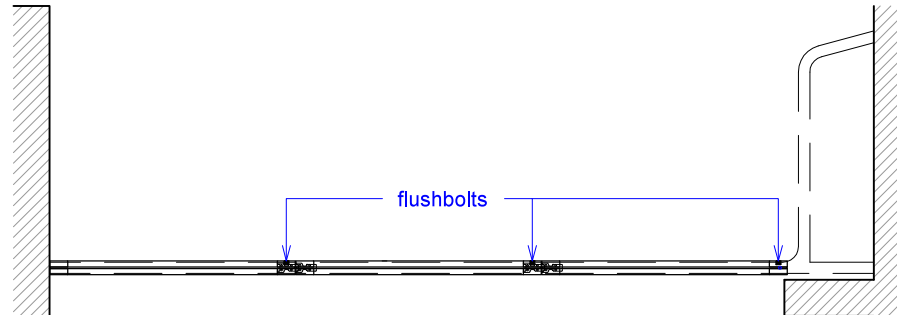
RAYDOOR STANDARD
SYSTEM DRAWINGS
©2016



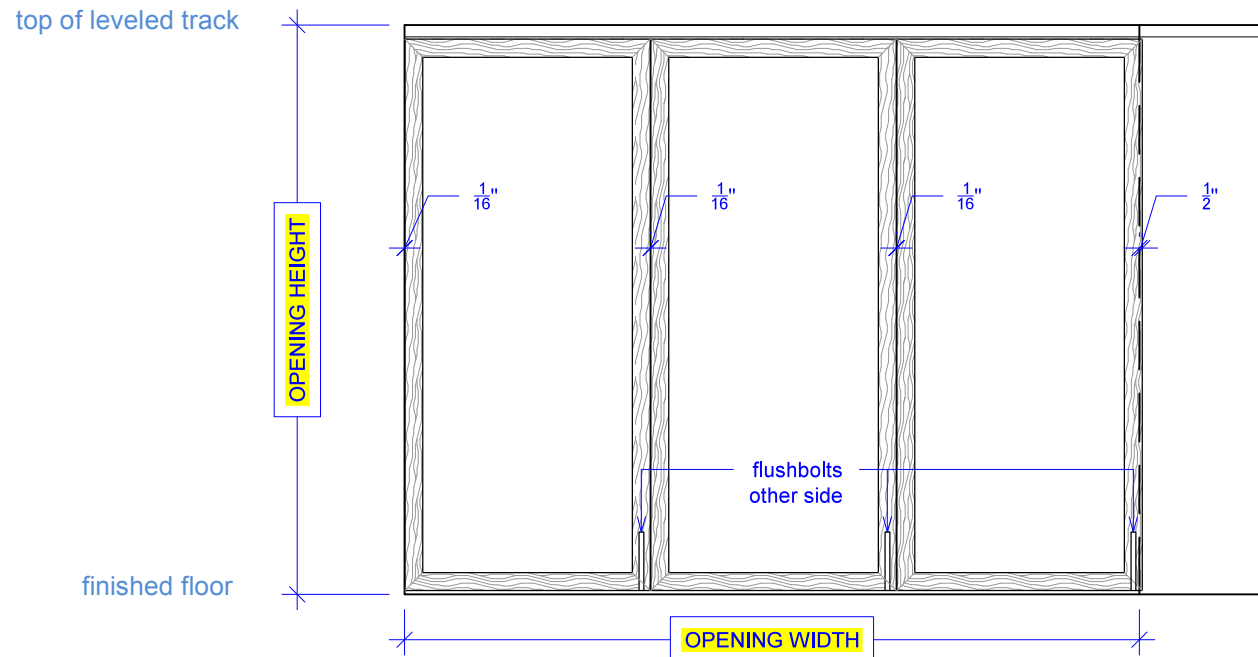
These drawings are generic standards – for details specific to your order, please refer to your custom verification drawings

YOUR OPENING HEIGHT = PANEL + 3"
YOUR OPENING WIDTH = (PANEL x 3) – 5/16"

PLAN: closed



ELEVATION: closed

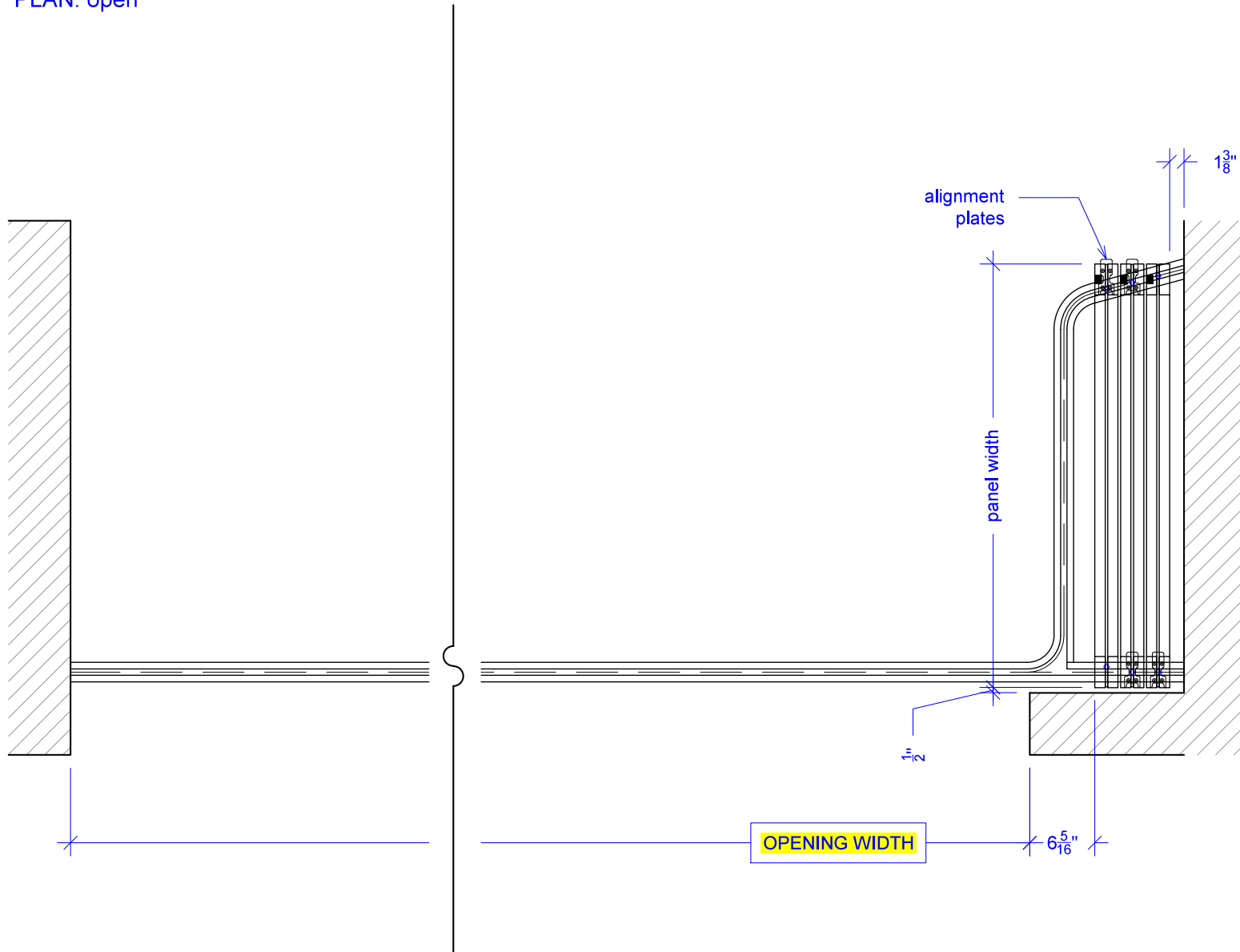


SSPE3 sliding stacking perpendicular – 3 panel



These drawings are generic standards – for details specific to your order, please refer to your custom verification drawings

PLAN: open

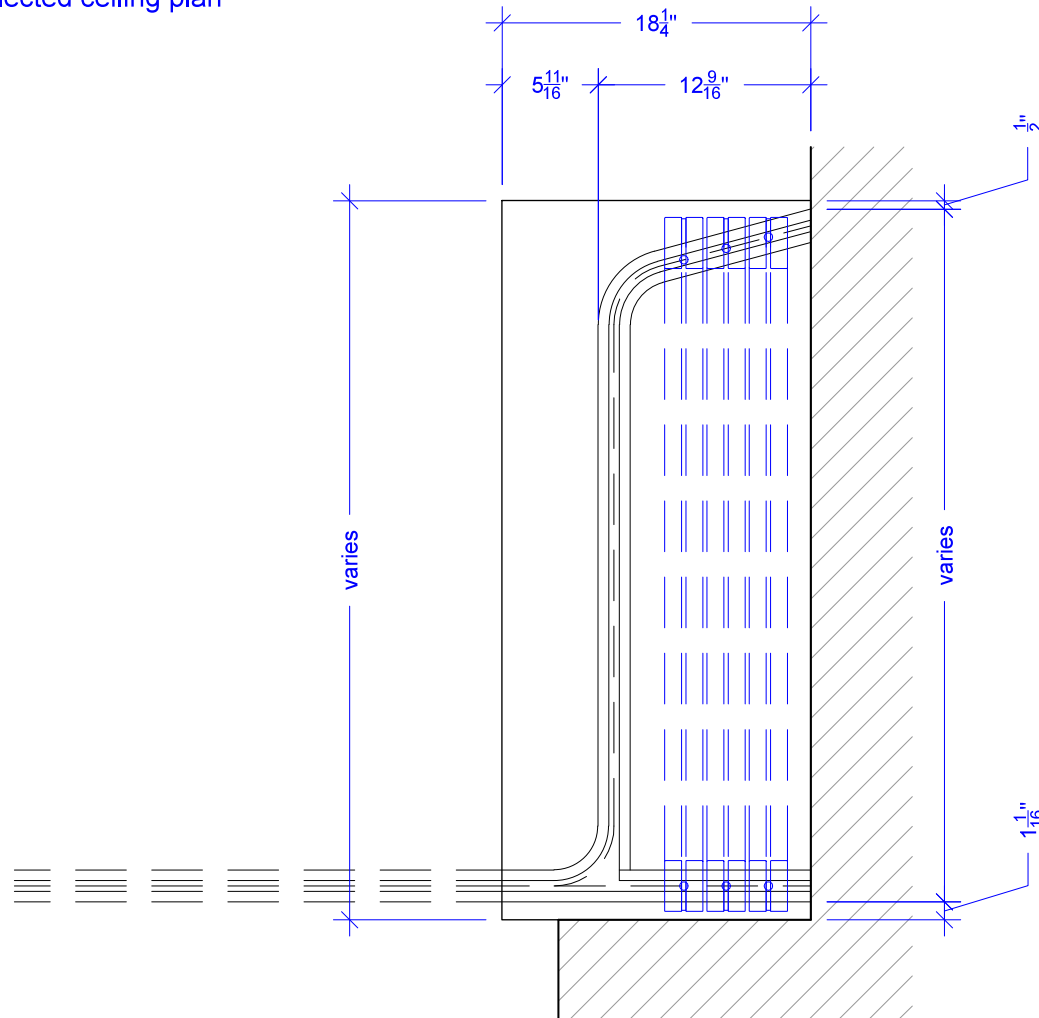


SSPE3 sliding stacking perpendicular – 3 panel



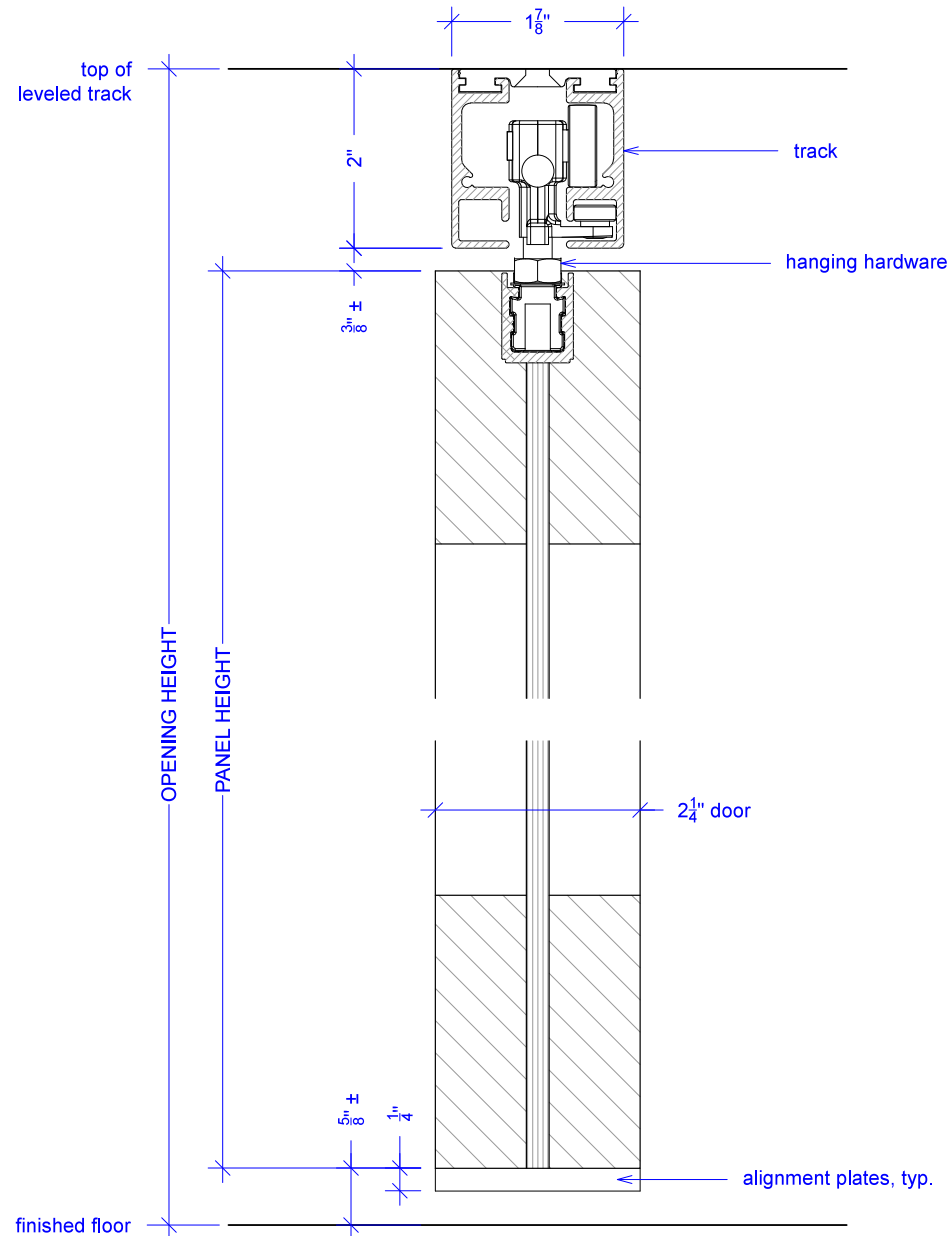
These drawings are generic standards – for details specific to your order, please refer to your custom verification drawings

Stacking Area:
reflected ceiling plan





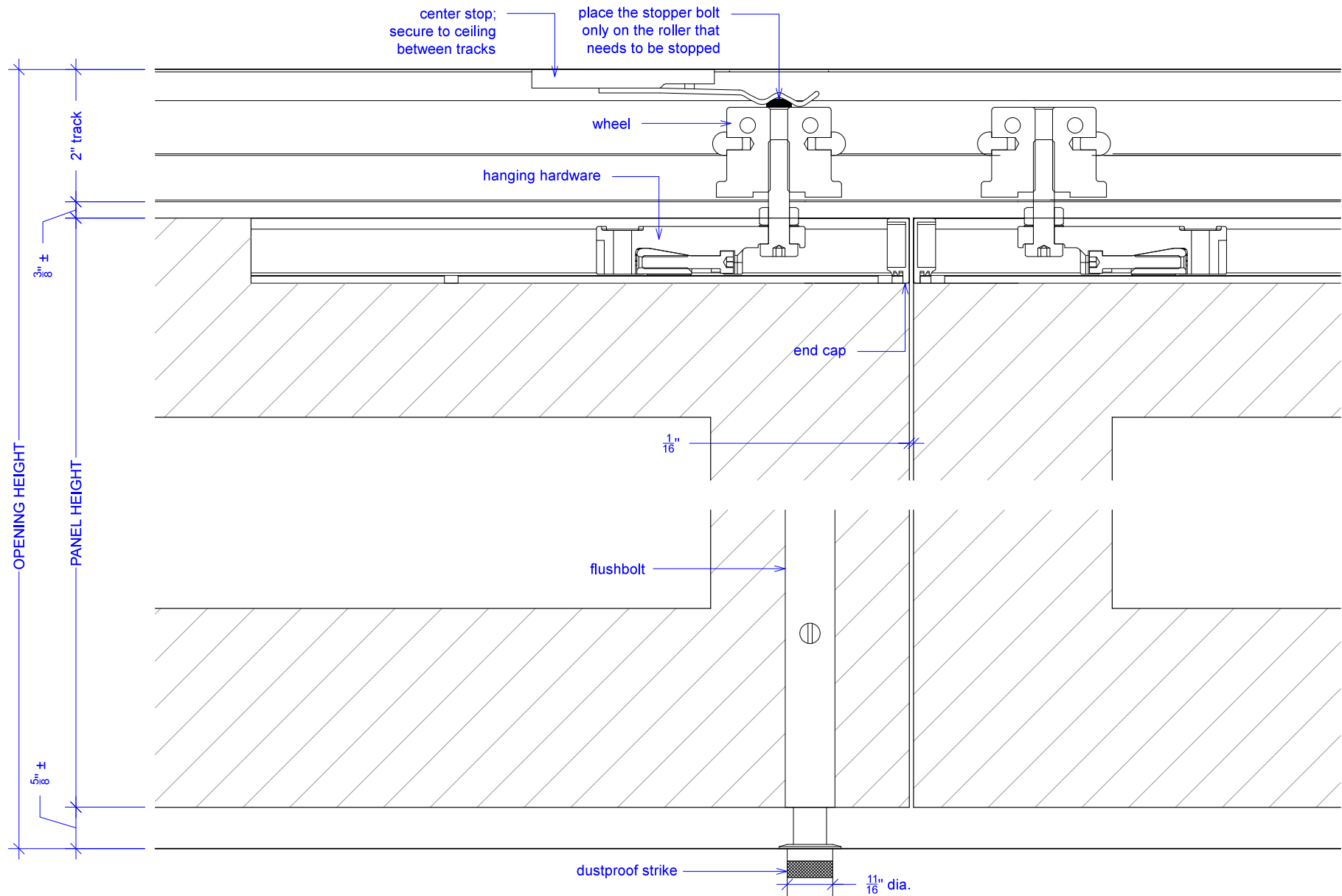
Important Notes:
 Each panel weighs approximately 85-110 lbs. Secure tracks accordingly.
 This page represents GENERIC system detail. Please refer to Elevation page
 for your custom configuration.



SSPE sliding stacking perpendicular



Important Notes:
Each panel weighs approximately 85-110 lbs. Secure tracks accordingly.
This page represents GENERIC system detail. Please refer to Elevation page
for your custom configuration.





Important Notes:

Each panel weighs approximately 85-110 lbs. Secure tracks accordingly.
This page represents GENERIC system detail. Please refer to Elevation page for your custom configuration.

