

# SSPA4PV1 sliding stacking parallel with pivot – 5 panel

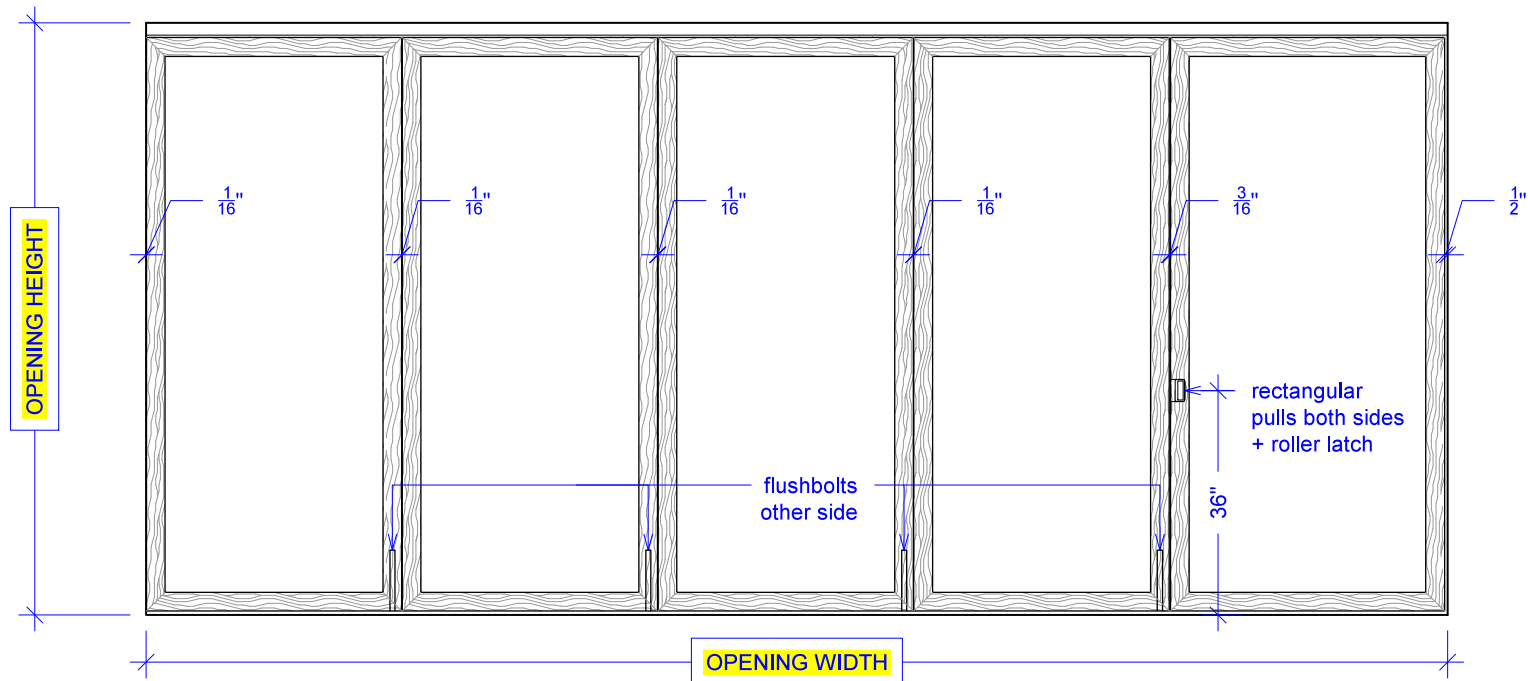
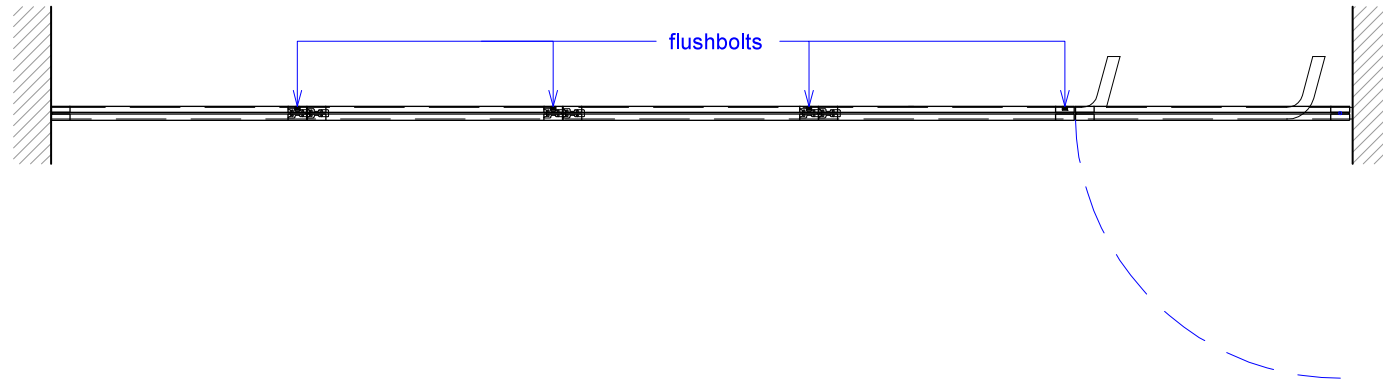
RAYDOOR STANDARD  
SYSTEM DRAWINGS  
©2016



**YOUR OPENING HEIGHT = PANEL + 3"**  
**YOUR OPENING WIDTH = (PANEL x 5) + 3 <sup>15</sup>/<sub>16</sub>"**  
*(pivot panel is 3" wider than sliders)*

These drawings are generic standards – for details specific to your order, please refer to your custom verification drawings

PLAN: closed



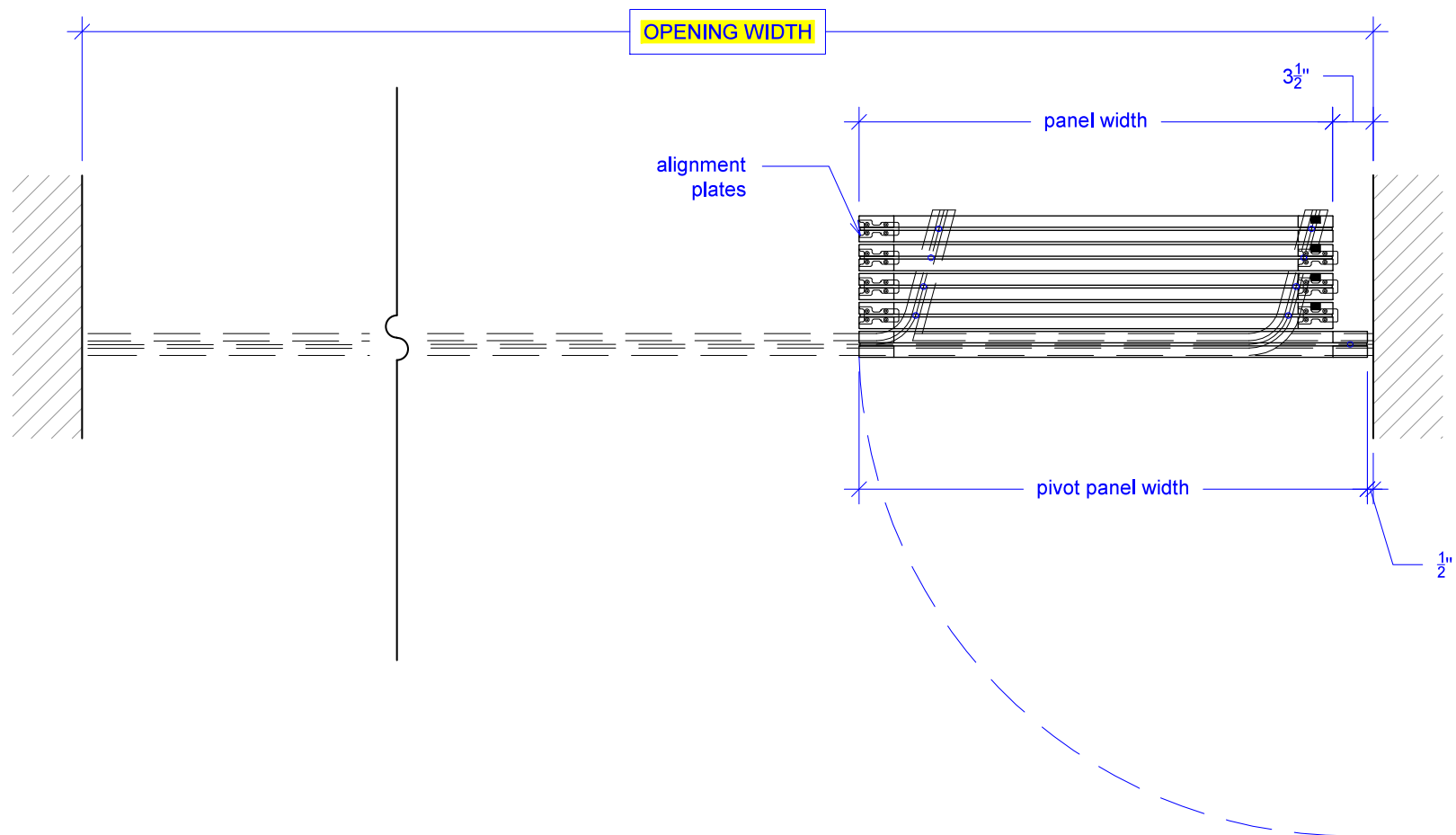
# SSPA4PV1 sliding stacking parallel with pivot – 5 panel

RAYDOOR STANDARD  
SYSTEM DRAWINGS  
©2016



These drawings are generic standards – for details specific to your order, please refer to your custom verification drawings

PLAN: open



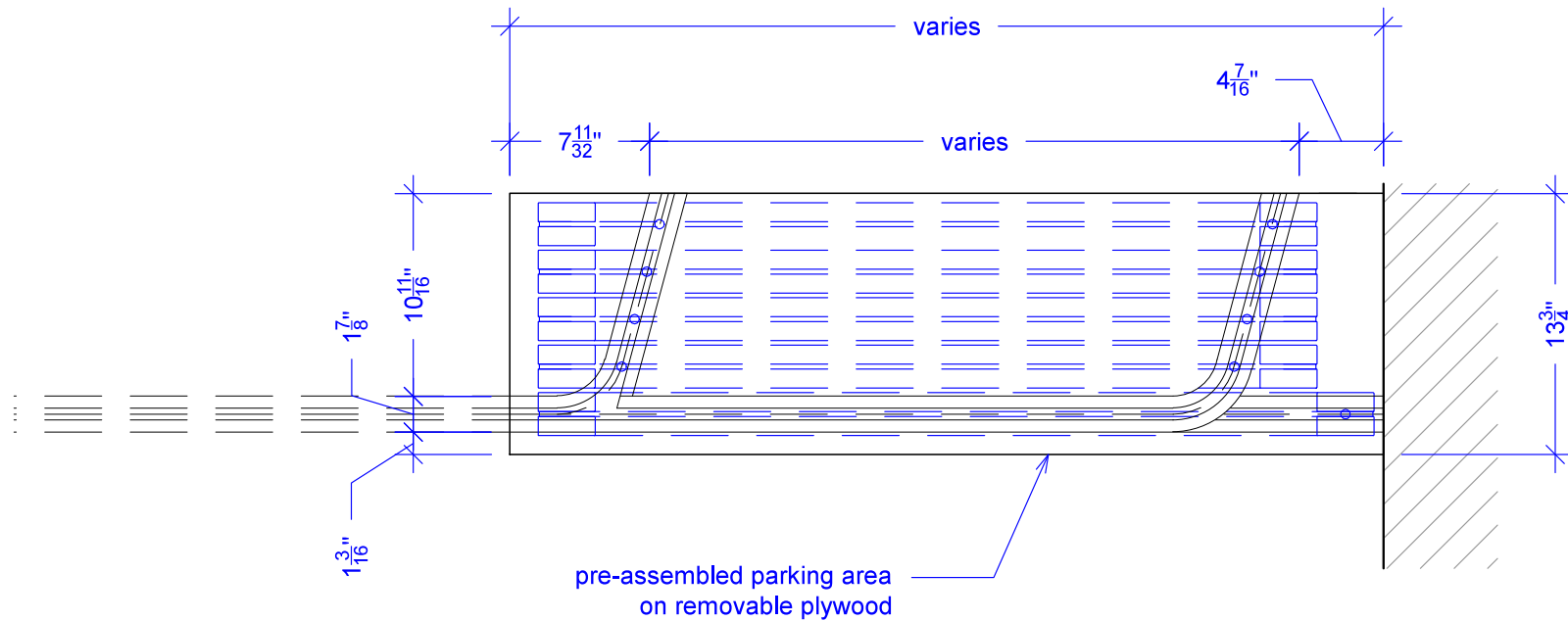
# SSPA4PV1 sliding stacking parallel with pivot – 5 panel

RAYDOOR STANDARD  
SYSTEM DRAWINGS  
©2016



These drawings are generic standards – for details specific to your order, please refer to your custom verification drawings

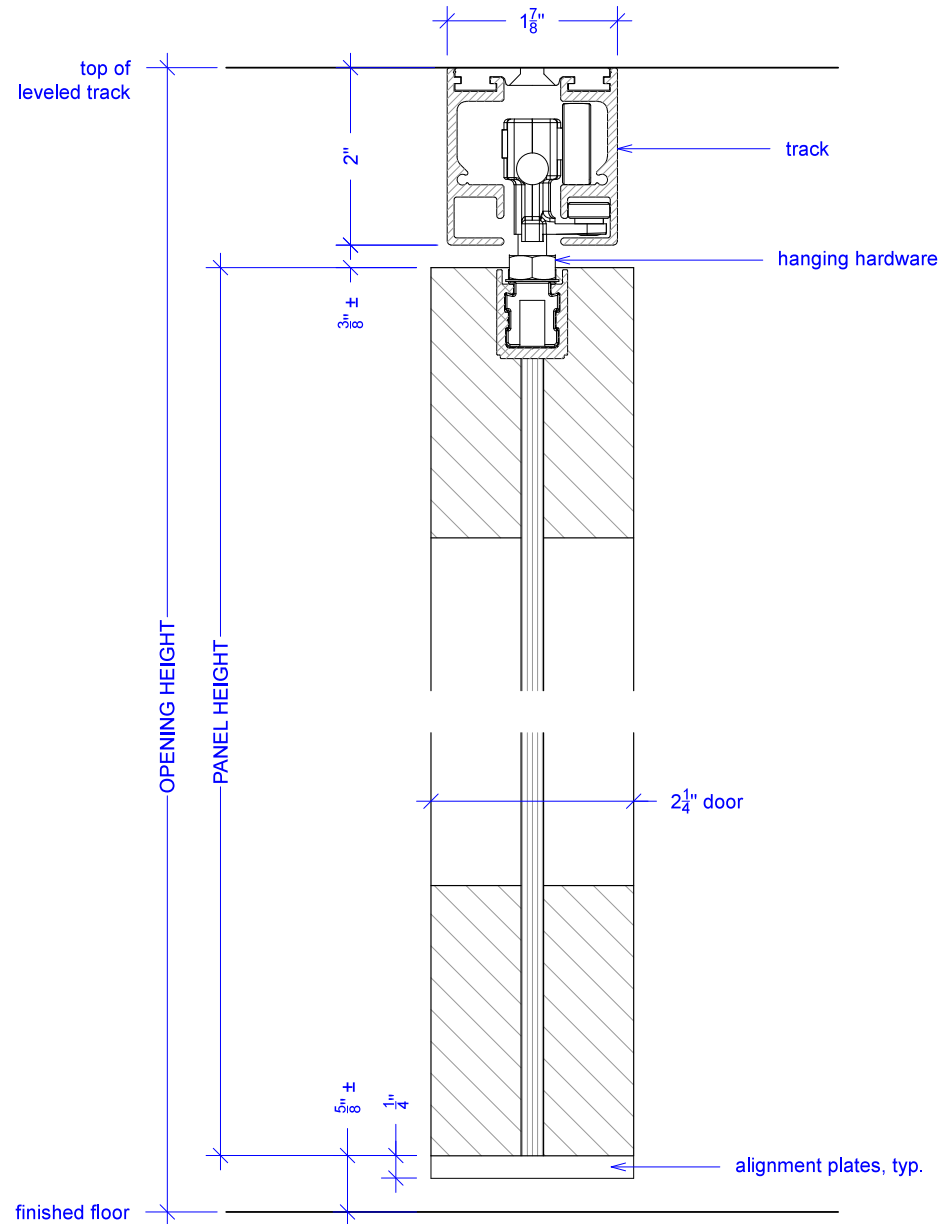
Stacking Area:  
reflected ceiling plan



# SSPAPV sliding stacking parallel with pivot



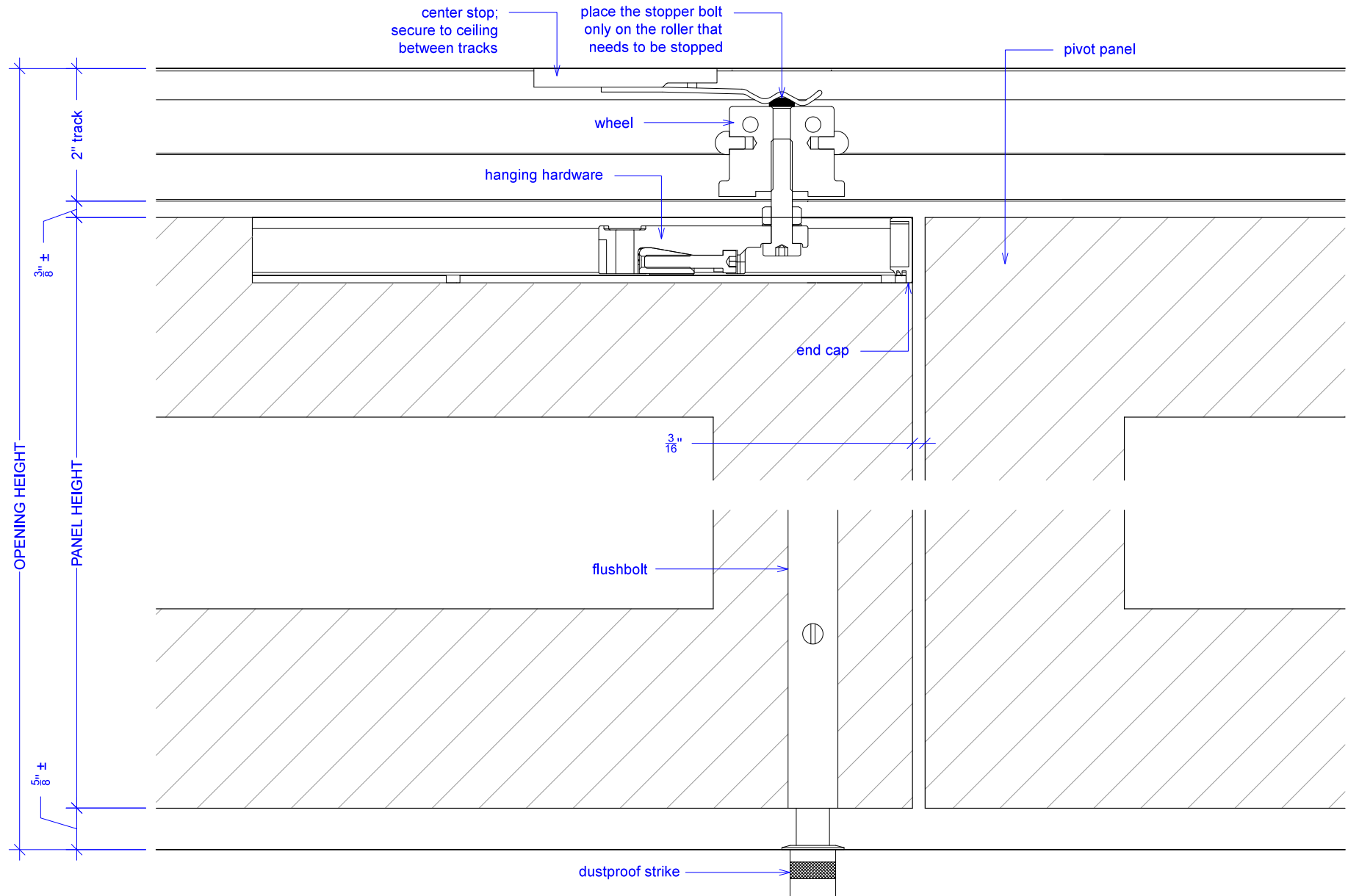
Important Notes:  
Each panel weighs approximately 85-110lbs. Secure tracks accordingly.  
This page represents GENERIC system detail. Please refer to Elevation page  
for your custom configuration.



# SSPAPV sliding stacking parallel with pivot



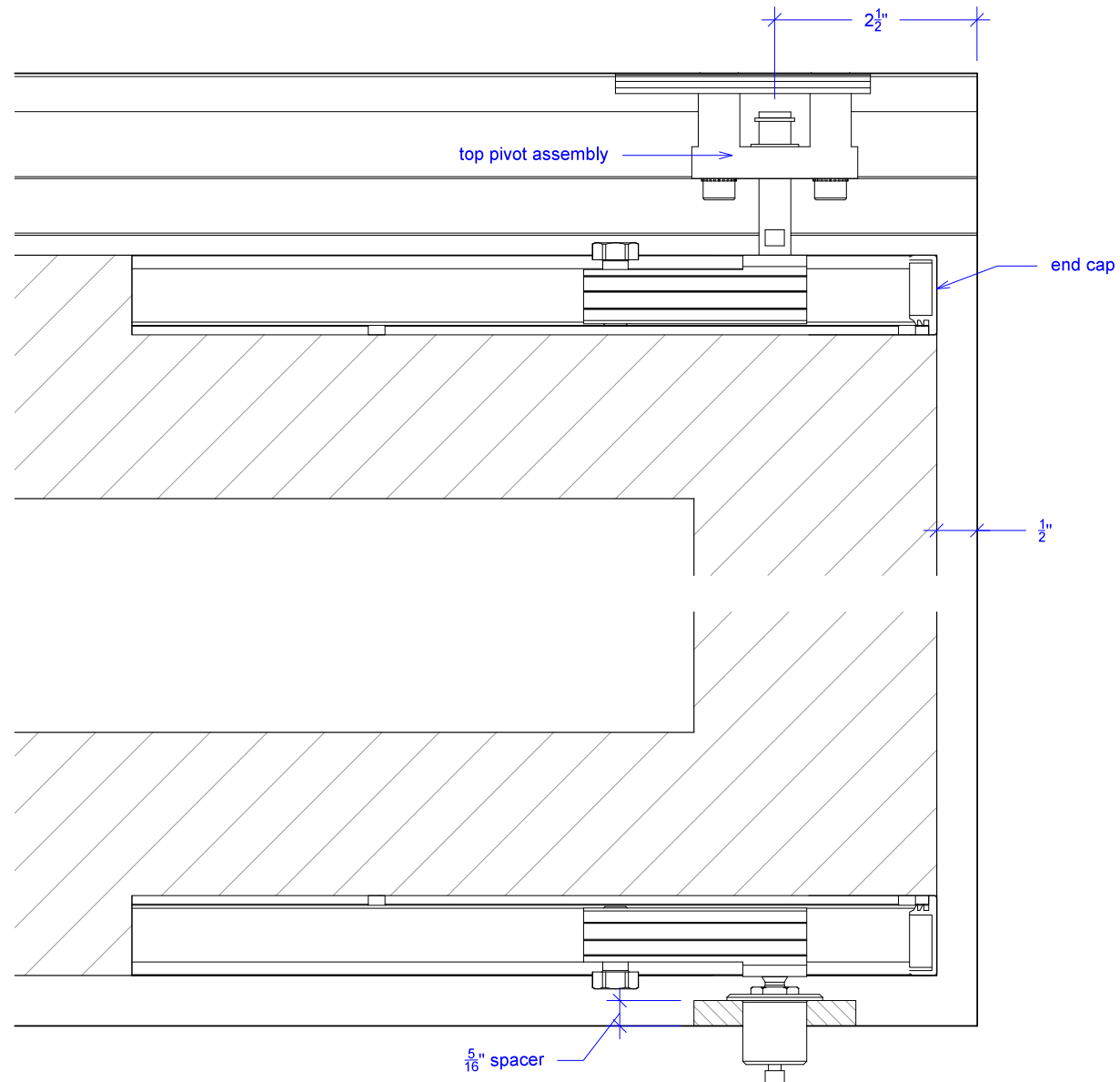
**Important Notes:**  
Each panel weighs approximately 85-110lbs. Secure tracks accordingly.  
This page represents GENERIC system detail. Please refer to Elevation page  
for your custom configuration.



# SSPAPV sliding stacking parallel with pivot



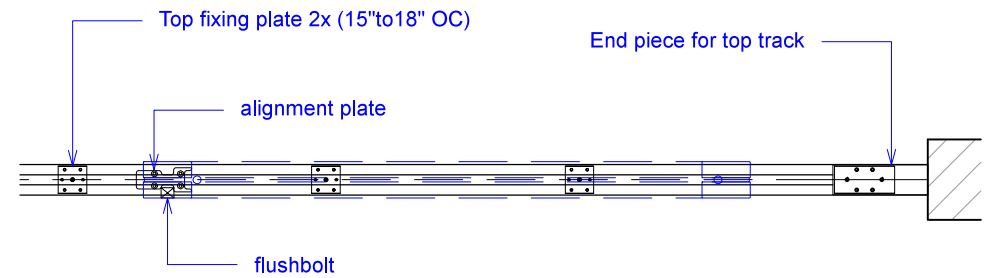
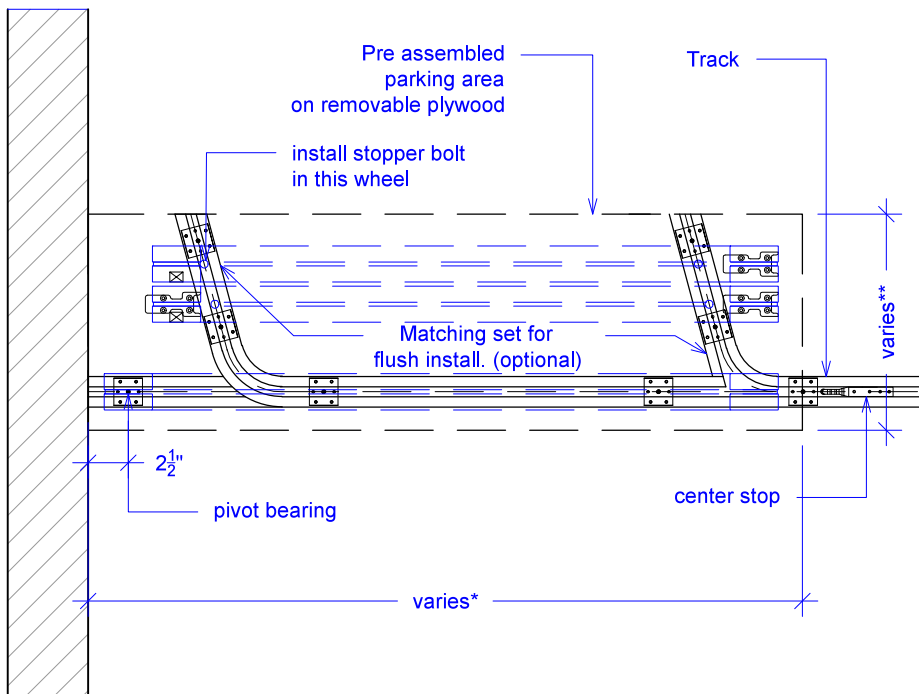
Important Notes:  
Each panel weighs approximately 85-110lbs. Secure tracks accordingly.  
This page represents GENERIC system detail. Please refer to Elevation page  
for your custom configuration.





**Important Notes:**

Each panel weighs approximately 85-110lbs. Secure tracks accordingly.  
This page represents GENERIC system detail. Please refer to Elevation page for your custom configuration.



\*depending on panel width, please refer to your custom Build Order, approximately (PV-panel width) + 2"

\*\*depending on number of panels, please refer to your custom Build Order, approximately (N x 2.5") + 1 1/4"