

# Sliding Pocket, 2 Panels, Symmetrical

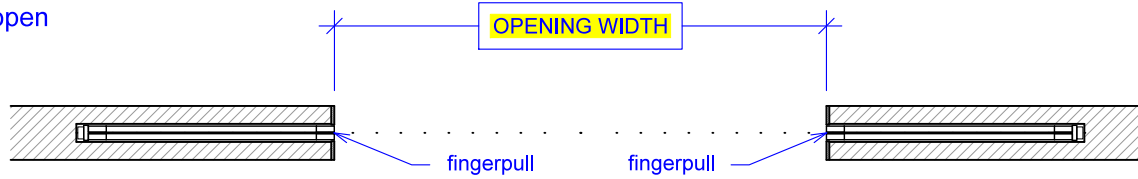
(SP2S-RD)

## ELEVATION

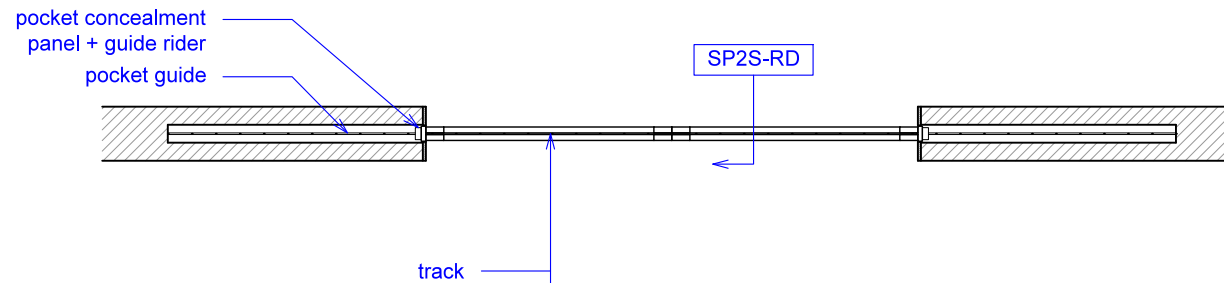
RAYDOOR STANDARD  
SYSTEM DRAWINGS  
©2020



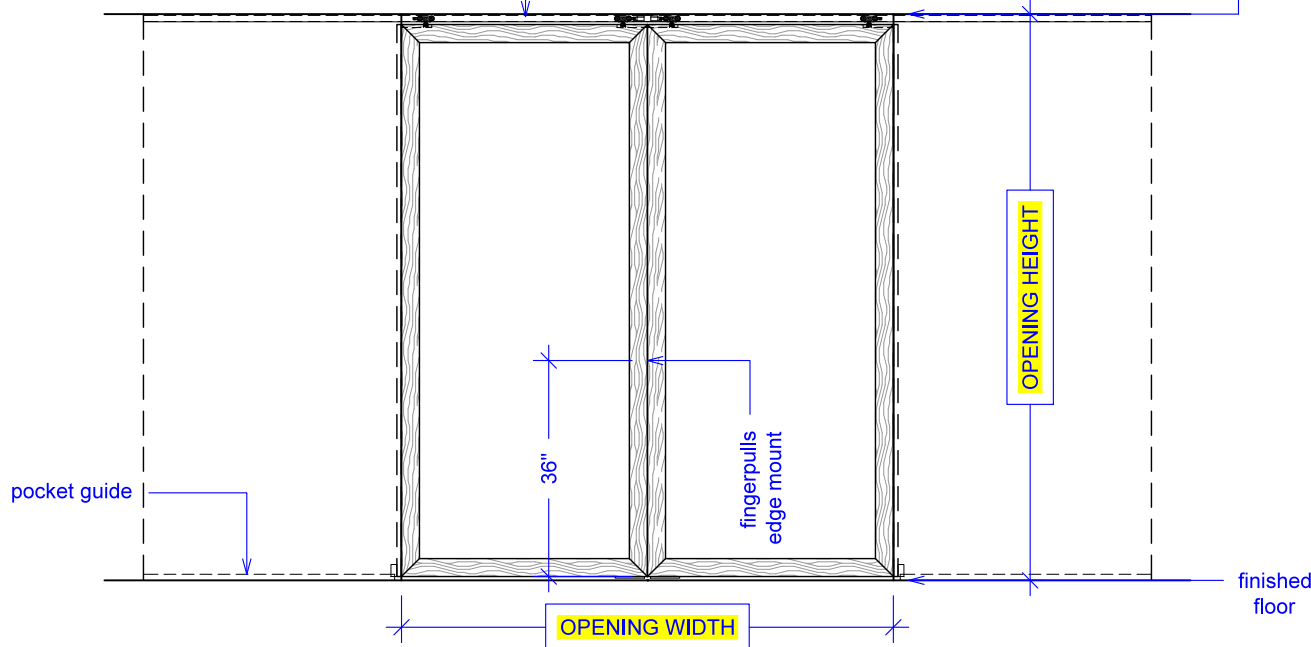
PLAN: open



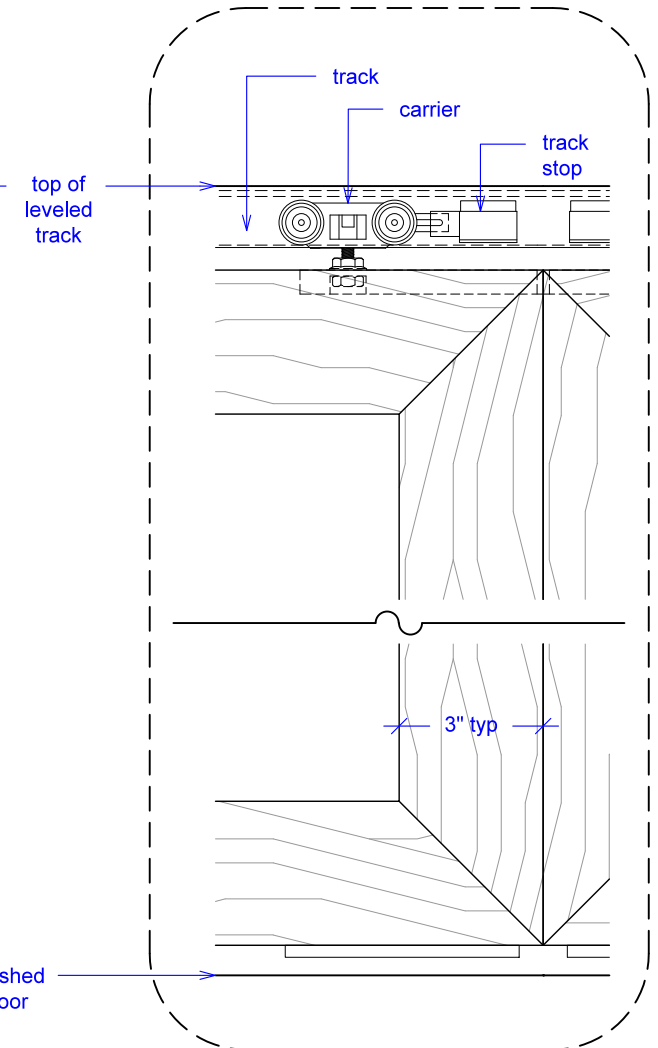
PLAN: closed



ELEVATION: closed



YOUR OPENING HEIGHT = PANEL + 2  $\frac{3}{8}$ "  
YOUR OPENING WIDTH = 2 x PANEL

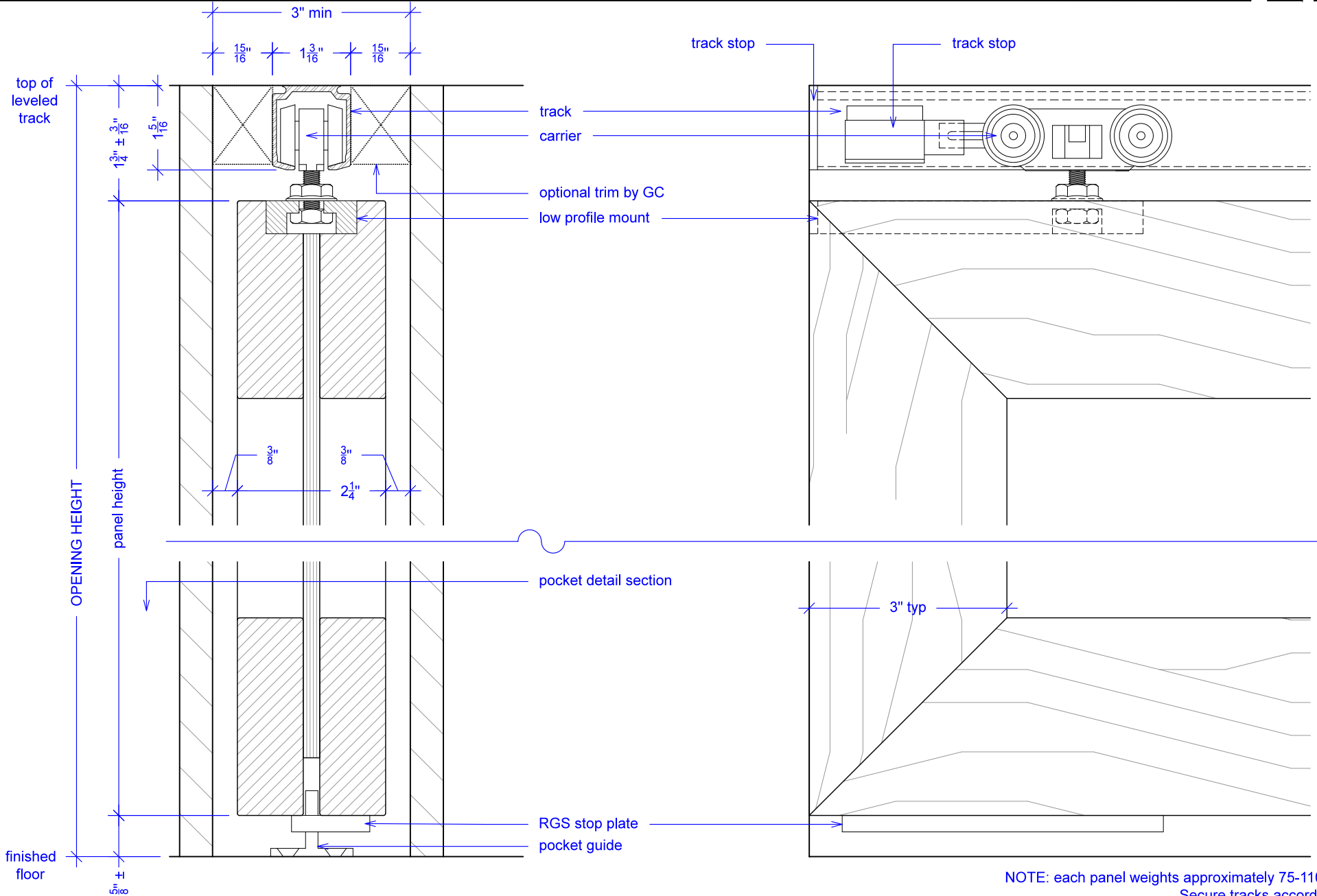


# Sliding Pocket, 2 Panels, Symmetrical

(SP2S-RD)

## SECTION

RAYDOOR STANDARD  
SYSTEM DRAWINGS  
©2020



# Sliding Pocket, 2 Panels, Symmetrical

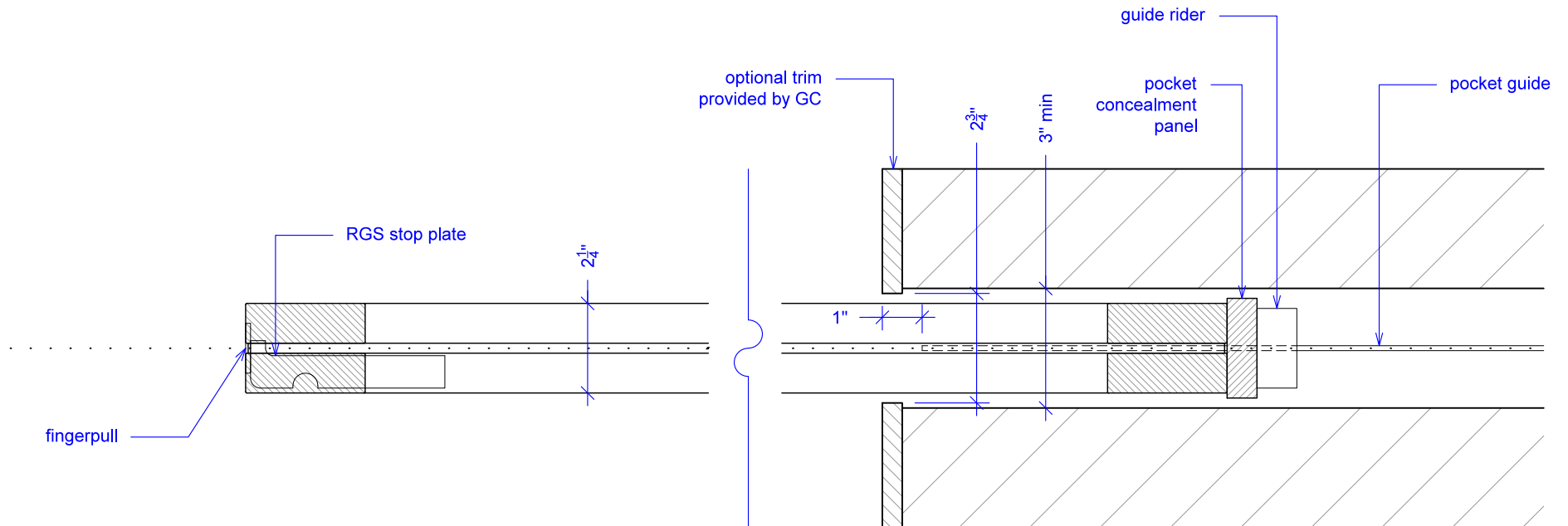
(SP2S-RD)

## POCKET DETAILS

RAYDOOR STANDARD  
SYSTEM DRAWINGS  
©2020



NOTE: pocket depth should be 2"  
deeper than width of doors



Guide rider is a block with a slit for the pocket guide; it allows for full extension, attach to bottom of concealment panel.

# Sliding Pocket, 2 Panels, Symmetrical

(SP2S-RD)

## OPERATION OVERVIEW

RAYDOOR STANDARD  
SYSTEM DRAWINGS  
©2020

