

Sliding Pocket, 1 Panel

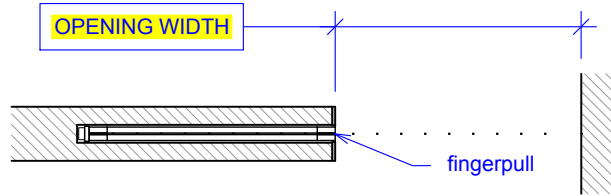
(SP1-RD)

ELEVATION

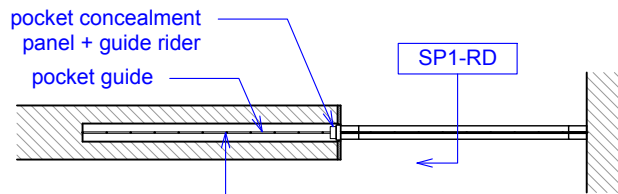
RAYDOOR STANDARD
SYSTEM DRAWINGS
©2022



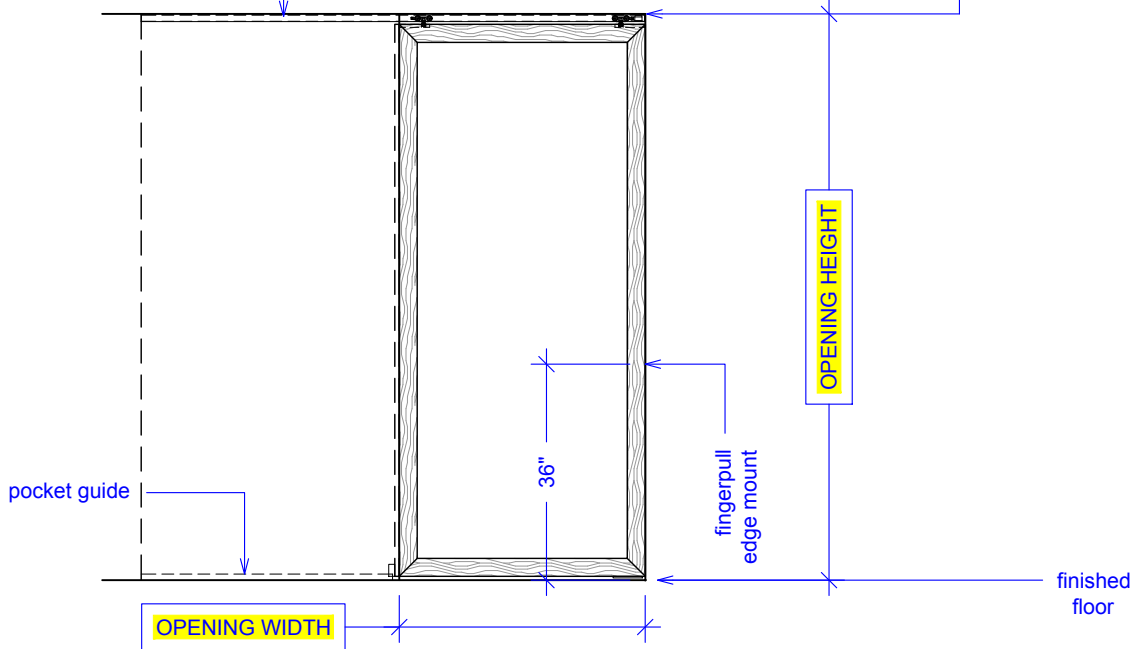
PLAN: open



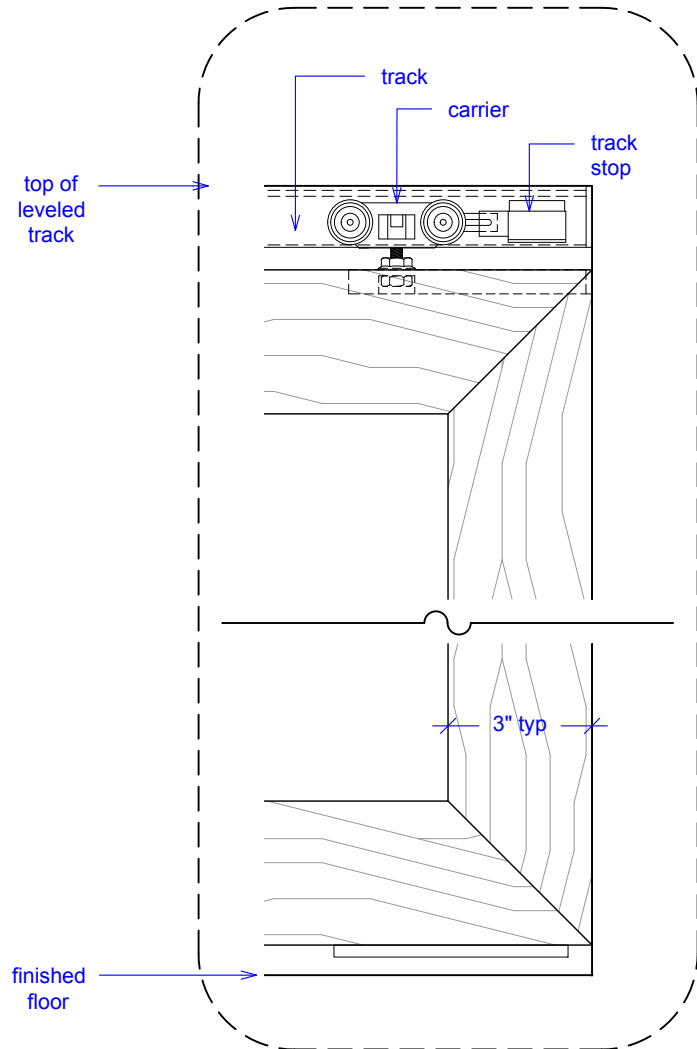
PLAN: closed



ELEVATION: closed



YOUR OPENING HEIGHT = PANEL + $2\frac{3}{8}$ "
YOUR OPENING WIDTH = PANEL

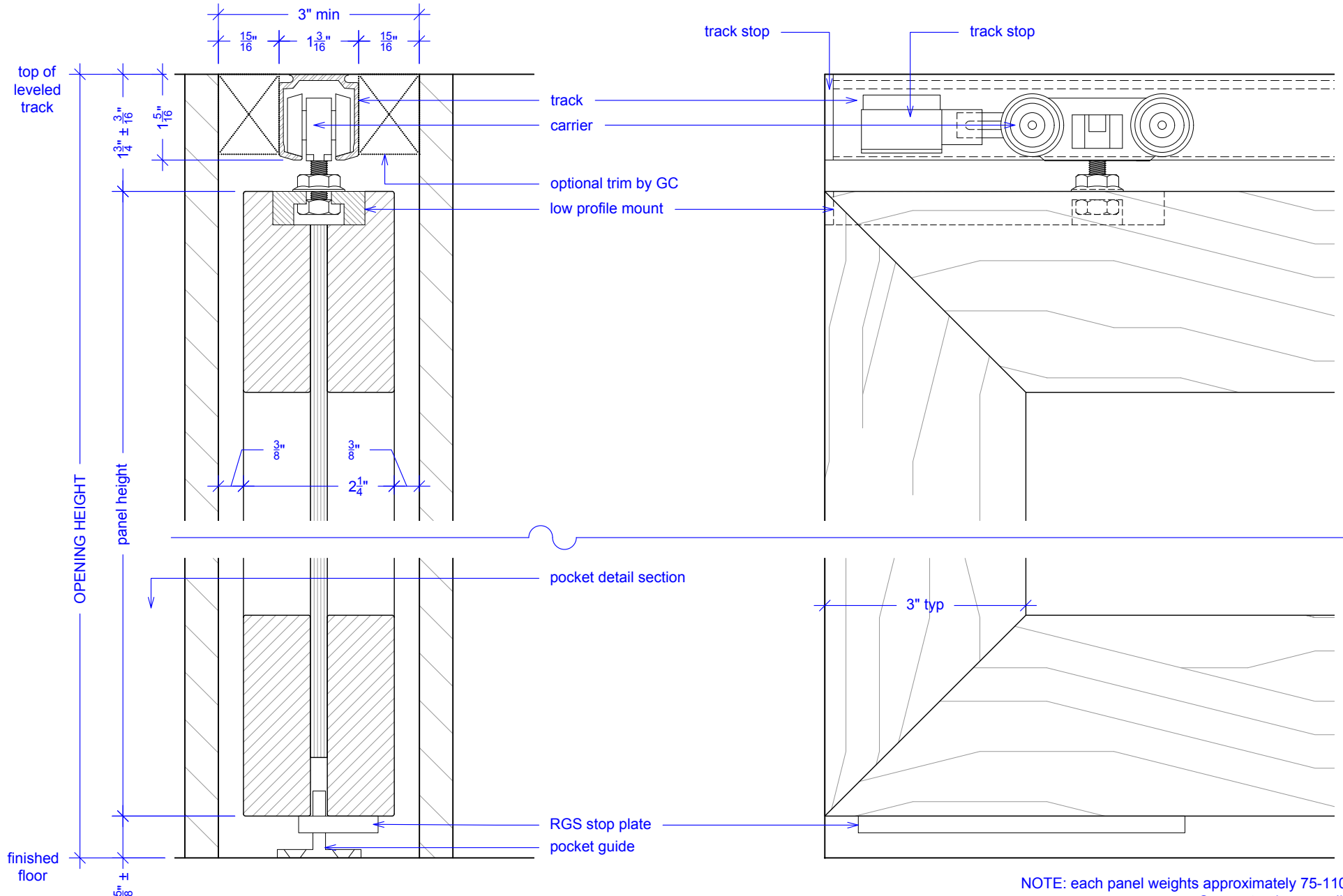


Sliding Pocket, 1 Panel

(SP1-RD)

SECTION

RAYDOOR STANDARD
SYSTEM DRAWINGS
©2022



NOTE: each panel weights approximately 75-110 lbs.
Secure tracks accordingly.

Sliding Pocket, 1 Panel

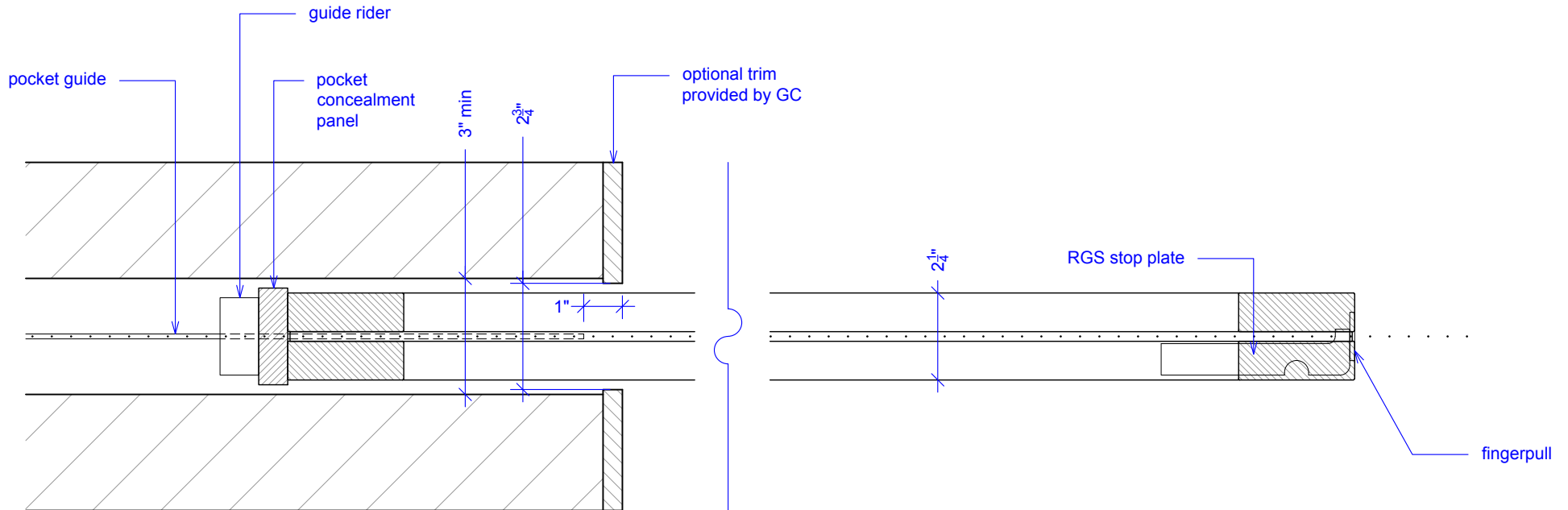
(SP1-RD)

POCKET DETAILS

RAYDOOR STANDARD
SYSTEM DRAWINGS
©2022



NOTE: pocket depth should be 2"
deeper than width of doors



Guide rider is a block with a slit for the pocket guide; it allows for full extension, attach to bottom of concealment panel.

Sliding Pocket, 1 Panel

(SP1-RD)

OPERATION OVERVIEW

RAYDOOR STANDARD
SYSTEM DRAWINGS
©2022

