

SYSTEM OPTIONS FORM SW6S



SPECIFY OPENING

FOR INTERNAL USE

Job Number: _____

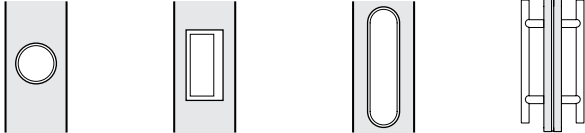
Job Name: _____

Room or Location _____

ADDITIONAL HARDWARE any upgrades chosen that are not on your estimate will be an additional cost.

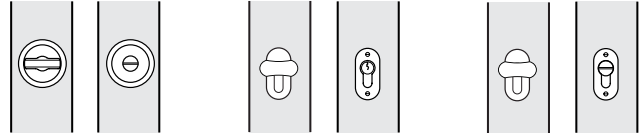
DOOR PULLS none
choose one

- RP-60
 Rectangular
 OP-150
 ADA Pull*



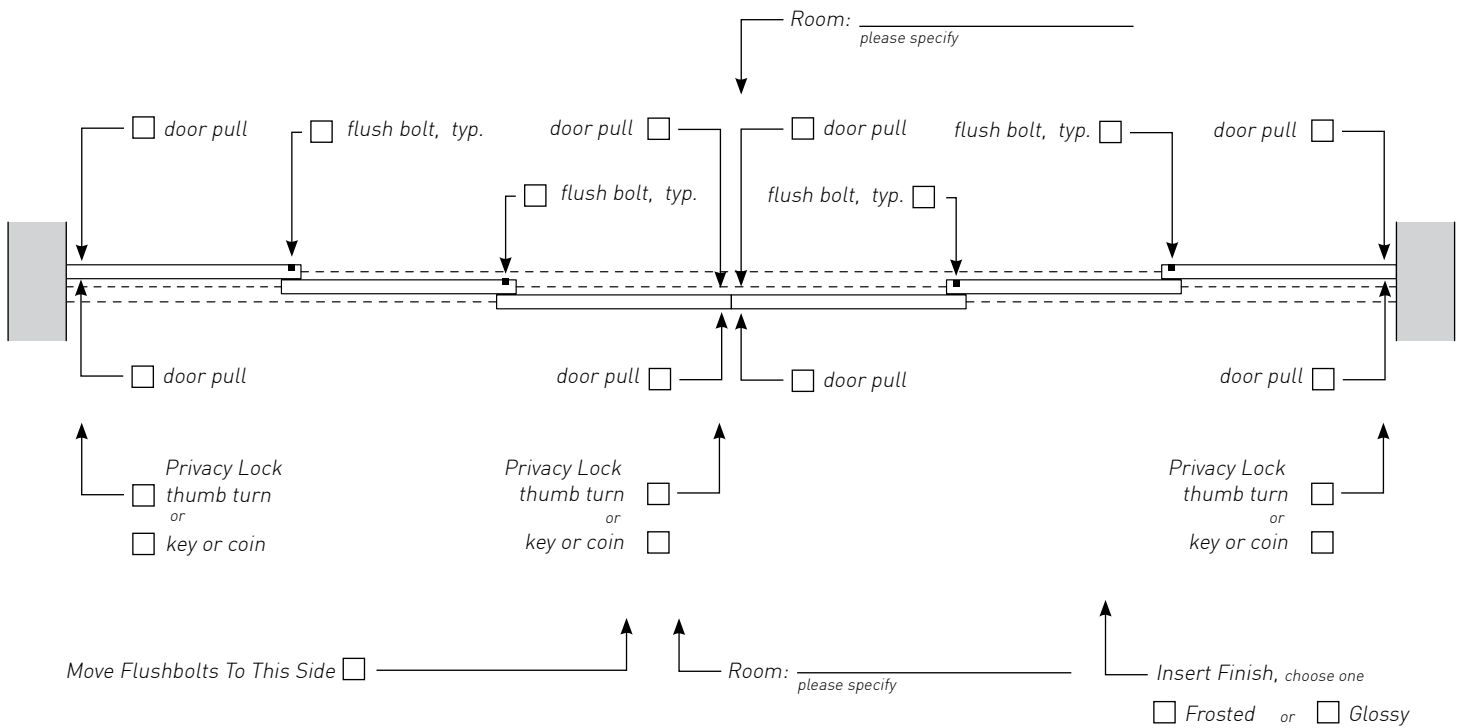
PRIVACY LOCK none
choose one

- Style KA thumb turn/coin release
 Style AGB* thumb turn/key
 Style AGB* thumb/coin



*be sure projecting hardware does not interfere with path of door.

ORIENTATION & PLACEMENT



SIGNATURE

sign

date