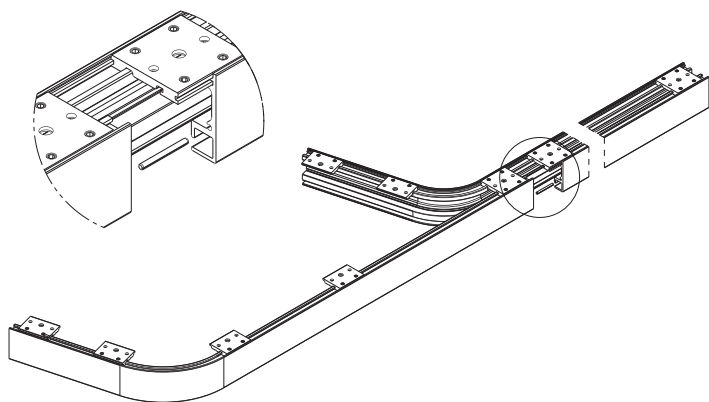


SLIDING STACKING

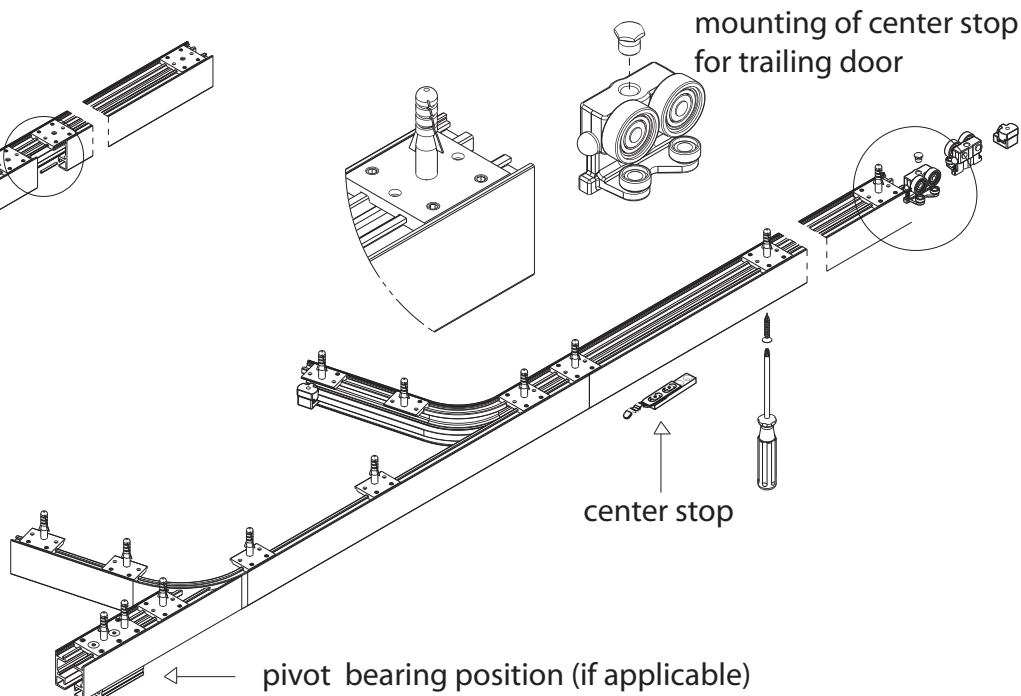
RAYDOOR®
Art of Division™
©2012 INSTALLATION MANUAL



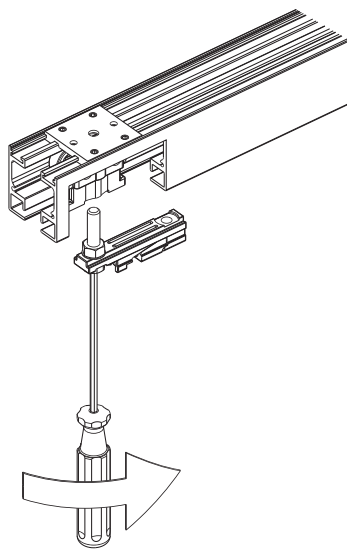
1. Assemble and mount track



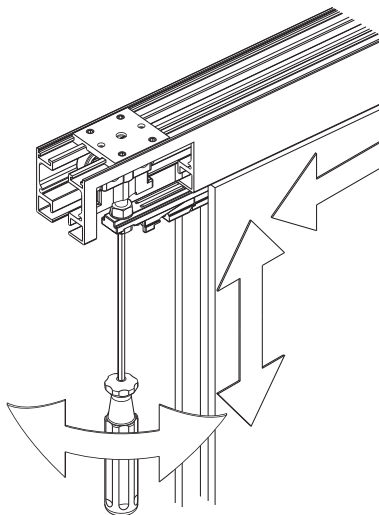
2. Insert carriers, stops (and pivots for PV systems)



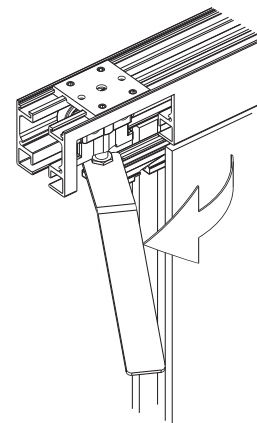
3. Attach hanger to carrier



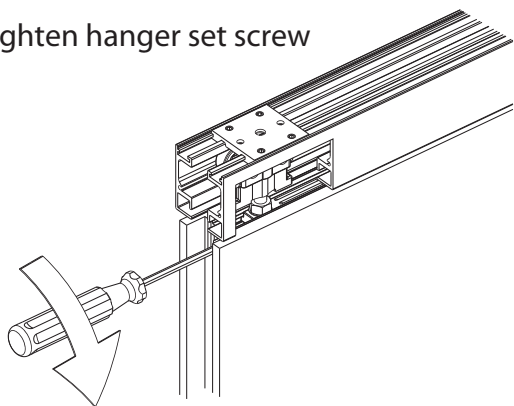
4. Insert hanger into door channel and adjust height



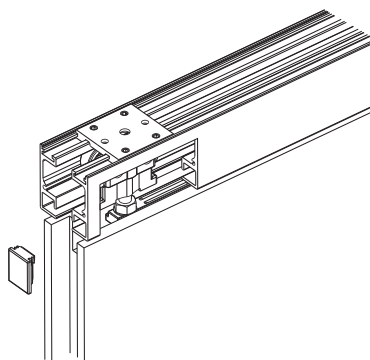
5. Tighten nut



6. Tighten hanger set screw



7. Place cap over door channel



8. Mount end-piece

