

# SYSTEM OPTIONS FORM SP2S



## SPECIFY OPENING

FOR INTERNAL USE

Job Number: \_\_\_\_\_

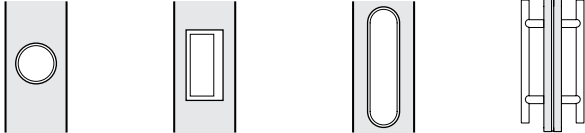
Job Name: \_\_\_\_\_

Room or Location \_\_\_\_\_

## ADDITIONAL HARDWARE any upgrades chosen that are not on your estimate will be an additional cost.

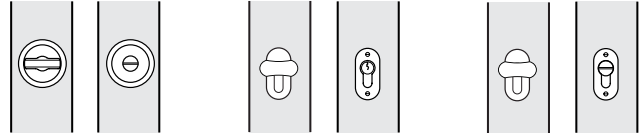
**DOOR PULLS**  none  
choose one

- RP-60   
  Rectangular   
  OP-150   
  ADA Pull\*



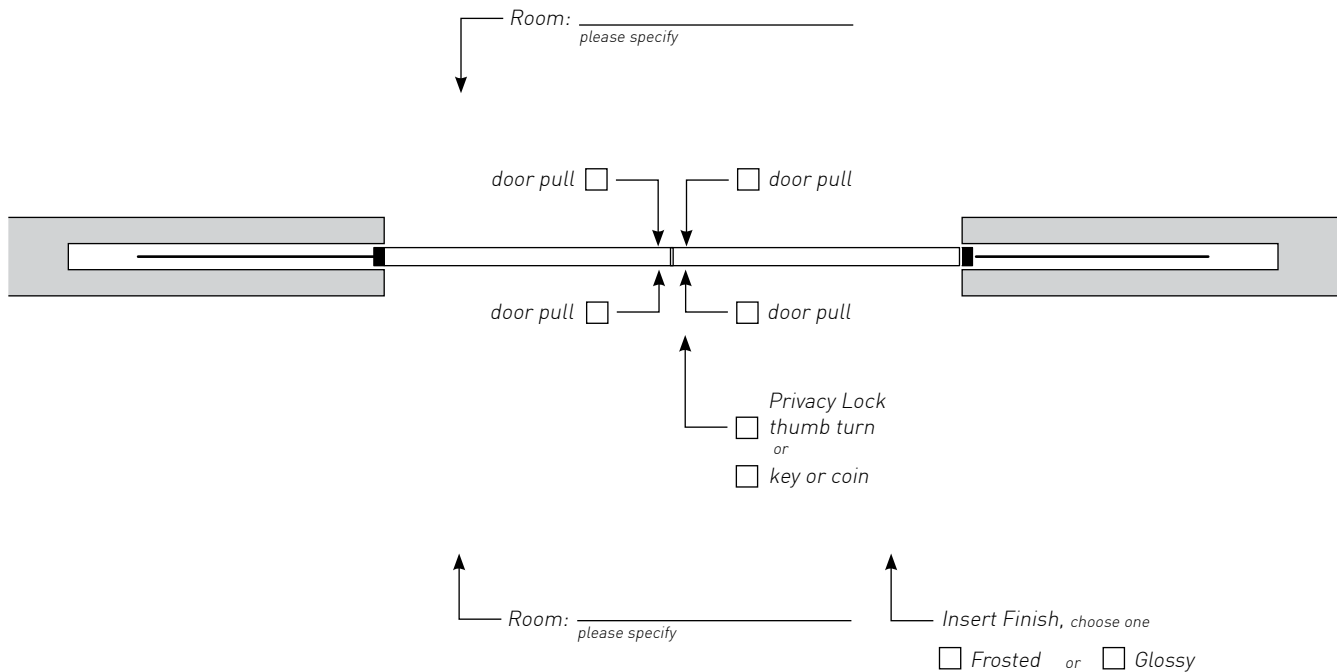
**PRIVACY LOCK**  none  
choose one

- Style KA thumb turn/coin release   
  Style AGB\* thumb turn/key   
  Style AGB\* thumb/coin



*\*be sure projecting hardware does not interfere with path of door.*

## ORIENTATION & PLACEMENT



SIGNATURE

\_\_\_\_\_

sign

\_\_\_\_\_

date