

SOFT CLOSE with Low Profile Mount

RAYDOOR®

The Art of Division™

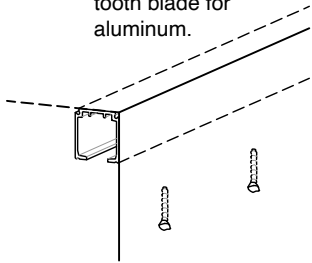
©2020 **INSTALLATION MANUAL**



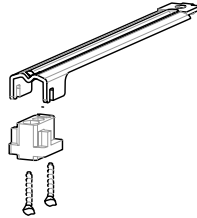
★ **FOR POCKET WALLS AND DOORS: DO NOT add track stop within pocket**

- ① Cut track to length as necessary and secure to header.

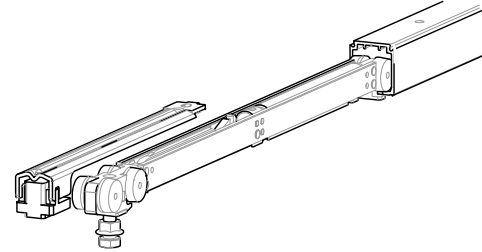
When cutting track be sure to use sharp, fine tooth blade for aluminum.



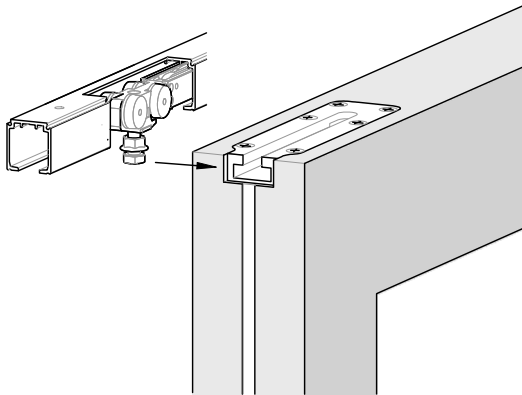
- ② Assemble soft close catch.



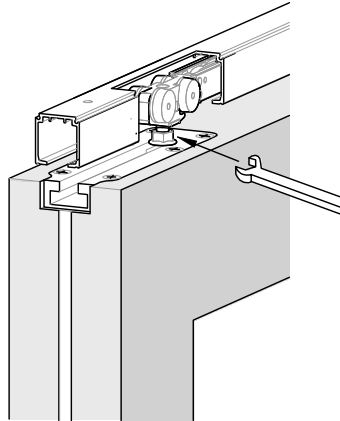
- ③ Insert soft close catch(es) and roller(s) with soft close into track.



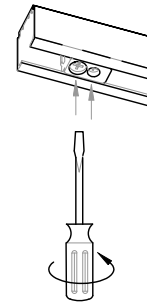
- ④ Hang panel by inserting hanging bolt into side of low-profile mounting plate until bolt seats properly. Repeat at other side of panel



- ⑤ Adjust height / level as necessary by threading bolt up or down and check that panel is level. Tighten locknut

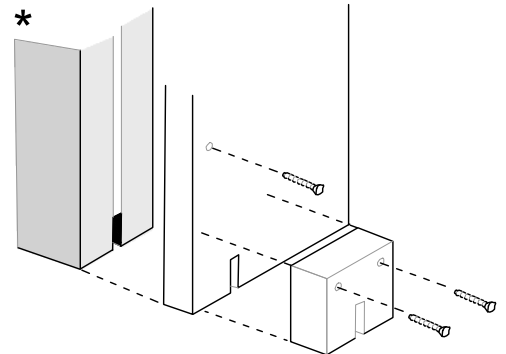
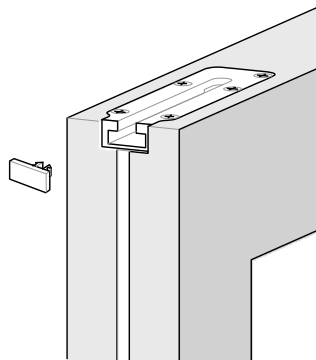


- ⑥ Tighten track stop and set tension screw.



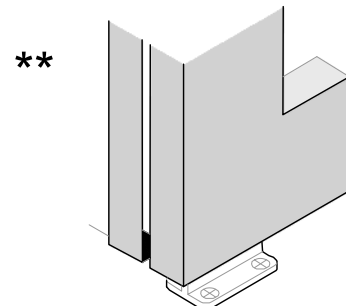
Track must be mounted securely to framing or blocking with #8 pan head screws at least 1-1/2" long. Track must be level even if floor and ceiling are not. Panels can weight up to 150 LBS. apiece - reinforcement may be necessary. It is the responsibility of the installing contractor to determine. Longer spans will require lengths of track to be fit end to end - be sure both factory edges meet and align carefully.

- ⑦ Insert caps into mounting plates.



* **Pocket Doors** - When installing pocket door be sure to place pocket guide and track before finishing wall. When hanging door, place Pocket Concealment Panel & Guide Rider on trailing edge of last panel, aligning with groove on bottom of panel. Do not place a track stop at back of pocket

** **Grey Guide** - For sliding wing walls, bypassing and single sliding door systems, grey guides must be placed on the floor. by setting track stops and limiting the doors travel, grey guides will always be concealed by the door. See operation overview page for your system's standard or verification drawings for locations. For wingwalls and single sliders the centerline of the guide should be 1-3/8" off the adjacent wall on 225 model panels. 1-1/8" on 175 model panels (unless otherwise noted)



SOFT CLOSE with Low Profile Mount

RAYDOOR®

The Art of Division™

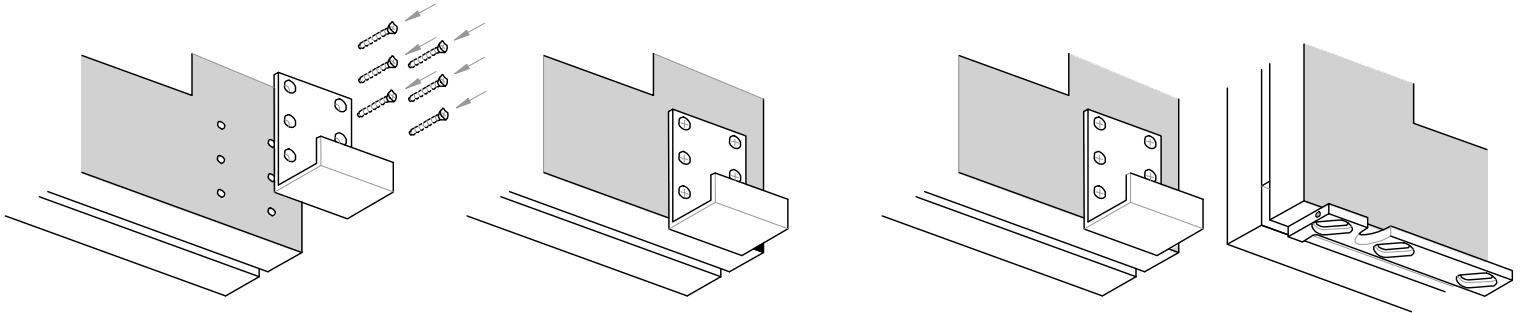
©2020 **INSTALLATION MANUAL**



For Sliding Walls, Sliding Wing Walls and Sliding Pocket Walls.

- ① Install Heavy-Duty RGS hooks on faces of doors using provided screws and fastening to marked, pre-drilled locations on doors

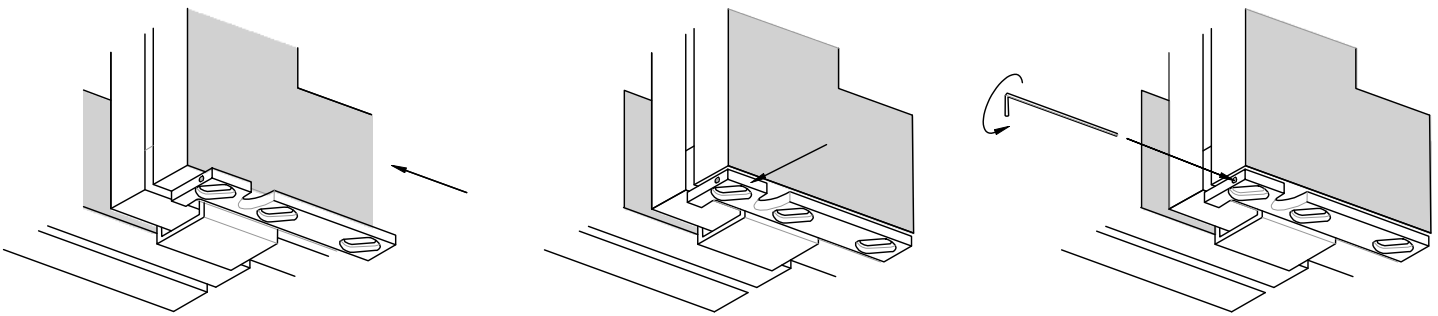
- ② Hand doors without connecting to each other



- ③ Slide adjacent door so that hook slips into bottom channel

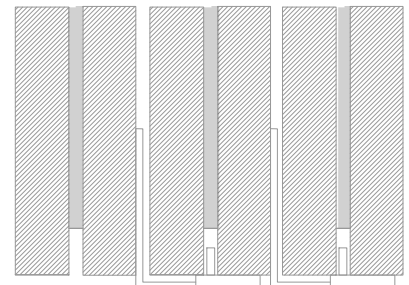
- ④ Move sliding top on bottom of door into closed position (should now block the channel into which hook was just slipped into).

- ⑤ Set sliding top by tightening set screw with allen wrench



- ⑥ Repeat process with remaining doors until all are connected (hooks should not be able to slide out of bottom groove laterally when complete).

- ⑦ Make sure that doors are hanging at heights such that dhooks are not bearing any weight of adjacent doors. If there is any contact between bottom of adjacent frame and hook, doors will not operate properly and may be damaged

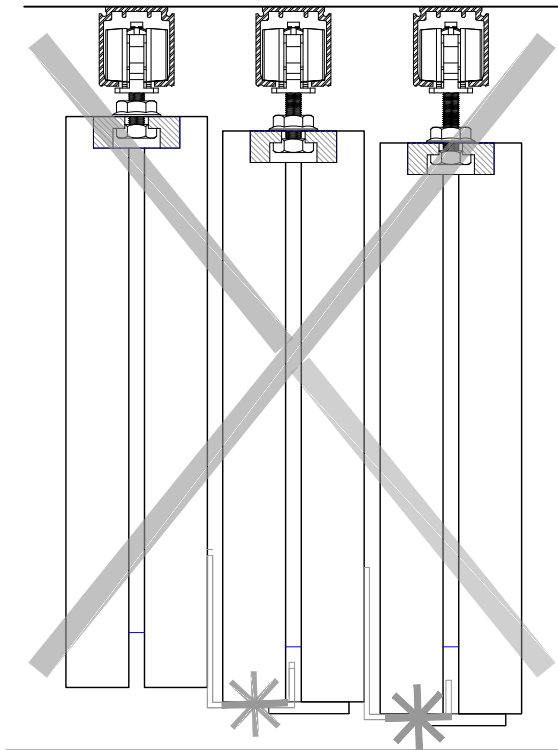


RGS BEST PRACTICES

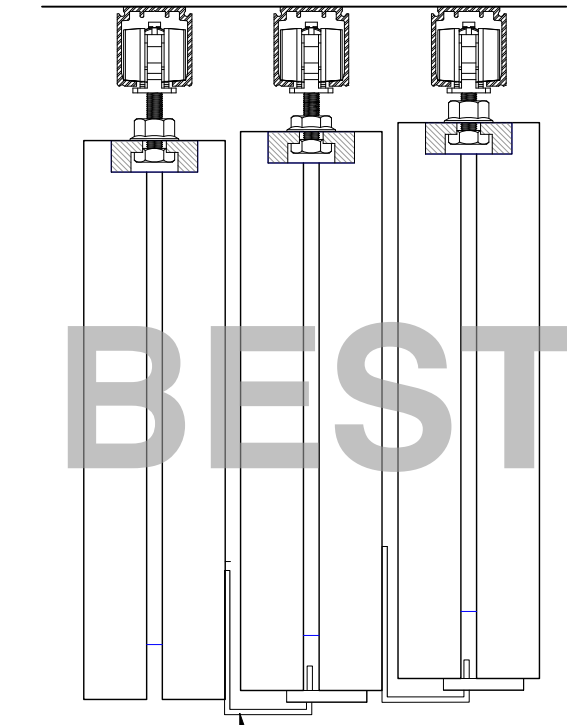
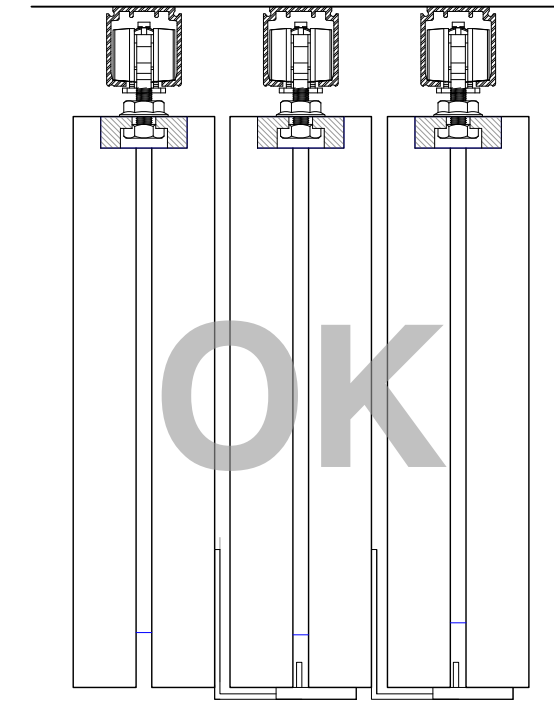
RAYDOOR®
The Art of Division™
© 2020 **INSTALLATION MANUAL**



For Sliding Walls, Sliding Wing Walls and Sliding Pocket Walls.



Door with Hook Set too high cause following doors to it on hooks and drag.



Door with first hook set low (trailing door), each subse door should be higher