



SLIDING POCKET

Our unique take on the sliding pocket door builds on its advantages of eliminating the need for clearance for a door swing and to completely disappear when not in use. To that we add the ability to fully extend a door from its pocket so that the complete stile and rail are visible.

The pocket door comes with an edge-mounted finger pull to retrieve it from the pocket. It also does not require a wider stile at the trailing end of the door for the stiles to look uniform when the door is extended (see technical detail below).

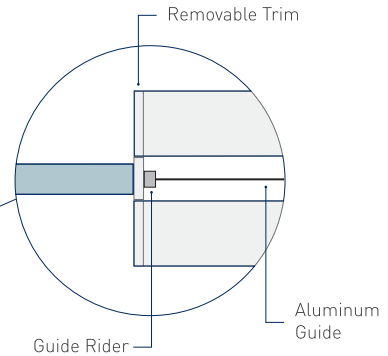
Opening Width	Max Panel	Usage	Overlap	Clearance
24" to 72"	5x10 6x8	High Frequency	None	100%

SYSTEM EXAMPLES

1 Panel



2 Panel - Symmetrical



Technical Detail: Pocket Guide

To make sure that our panels perform reliably in pockets we use a continuous aluminum guide on the floor of the pocket. This prevents the door from possibly scraping on the inside of the pocket and is engaged even when the door is extended out of pocket by our guide rider.

We recommend trim at the leading edge of the pocket that narrows the gap for a cleaner look.