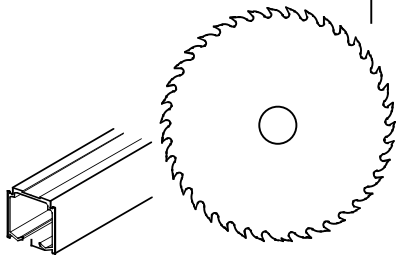


SLIDING with Low Profile mount (XRDLP)



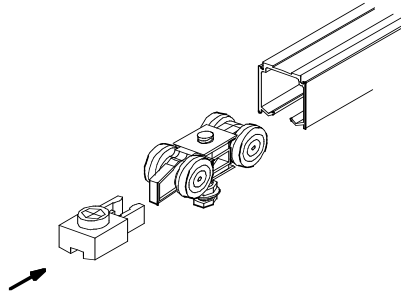
Make sure inside of track is clean and free of any debris!

- 1 Cut track to length if necessary and be sure you remove any debris

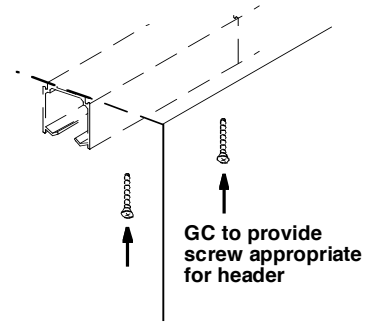


*Be sure to use a sharp, fine tooth blade for aluminum

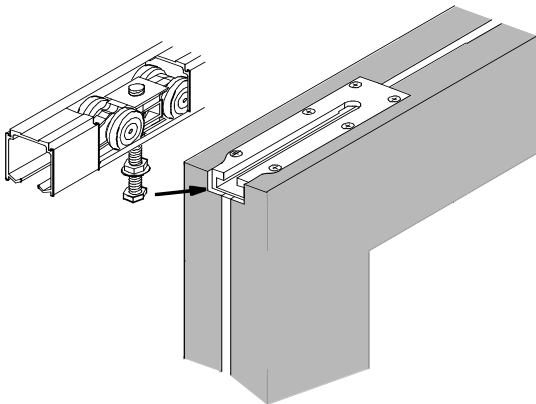
- 2 Insert pre-assembled hanger and track stop into track



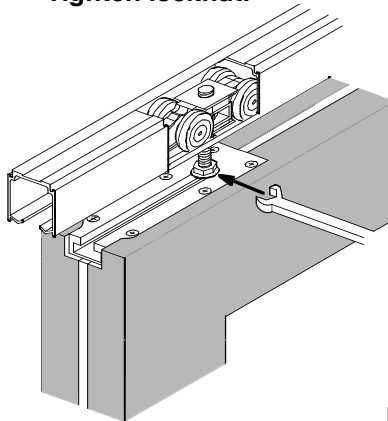
- 3 Secure track to header



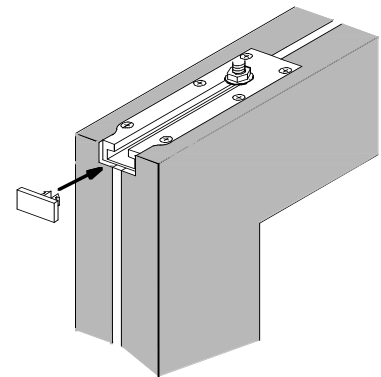
- 4 Hang panel by inserting hanging bolt into side of low-profile mounting plate until bolt seats properly. Repeat at other side of panel.



- 5 Adjust height as necessary by threading bolt up or down with provided wrench and check that panel is level. Tighten locknut.

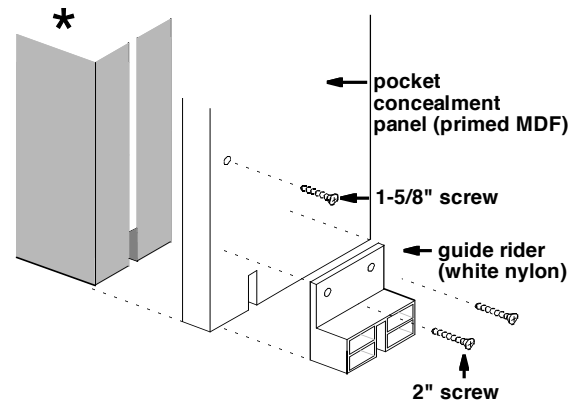
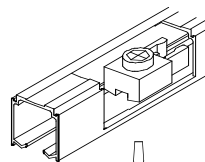


- 6 Insert caps in mounting plates.



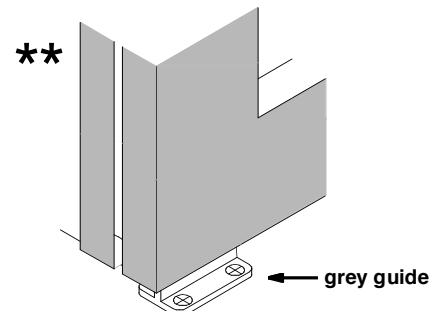
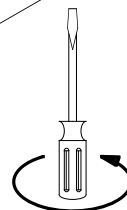
Track must be mounted securely to framing or blocking with #8 pan head screws at least 1-1/2" long. Track must be level even if floor and ceiling are not. Panels can weigh up to 150 lbs. apiece - reinforcement may be necessary. It is the responsibility of the installing contractor to determine. Longer spans will require lengths of track to be fit end to end - be sure both factory edges meet and align carefully. Track has 5.5mm holes every 12" and 2" in from both ends of track.

- 7 Set track stop.



* **Pocket Doors** - When installing a pocket door be sure to place pocket guide and track before finishing wall. When hanging door, place *Pocket Concealment Panel & Guide Rider* on trailing edge of last panel, aligning with groove on bottom of panel. Do not place a track stop at back of pocket.

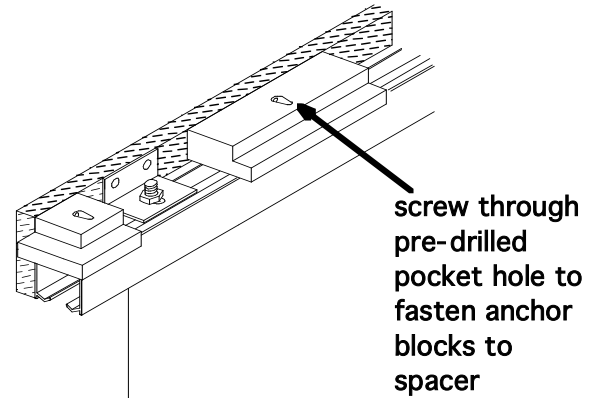
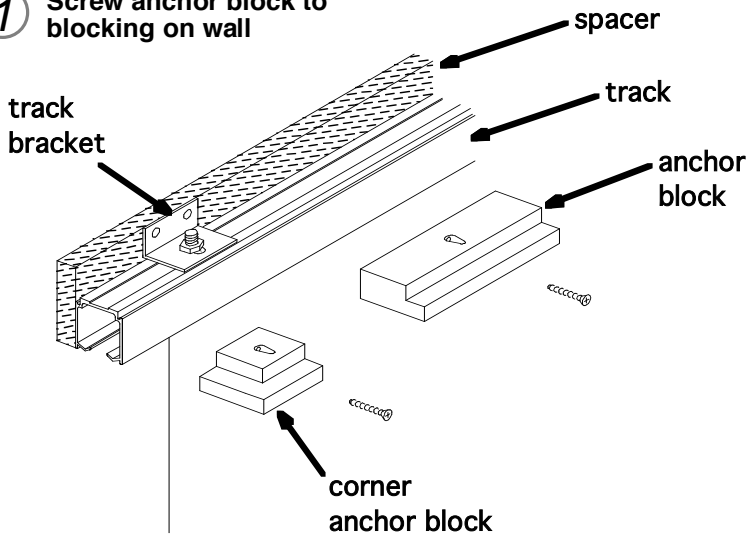
** **Grey Guide** - For sliding wing walls, bypassing, and single sliding door systems, grey guides must be placed on the floor. By setting track stops and limiting the doors' travel, grey guides will always be concealed by the door. See operation overview page of your system's standard or verification drawings for locations. For wingwalls and single sliders the centerline of the guide should be 1-3/8" off the adjacent wall on 225 model panels, 1-1/8" on 175 model panels (unless otherwise noted).



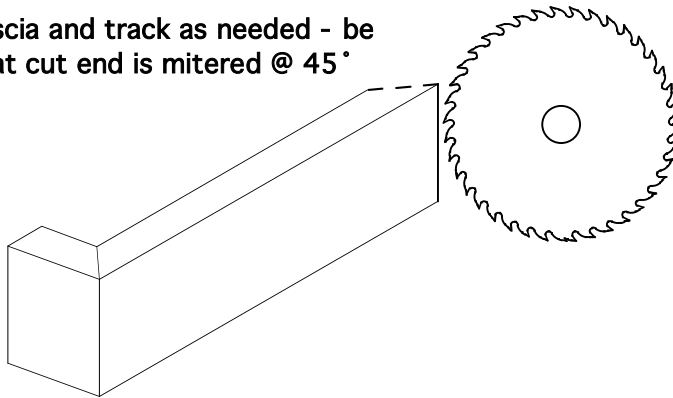
Optional Fascia for Wall Mounted Slider



- 1 Screw anchor block to blocking on wall

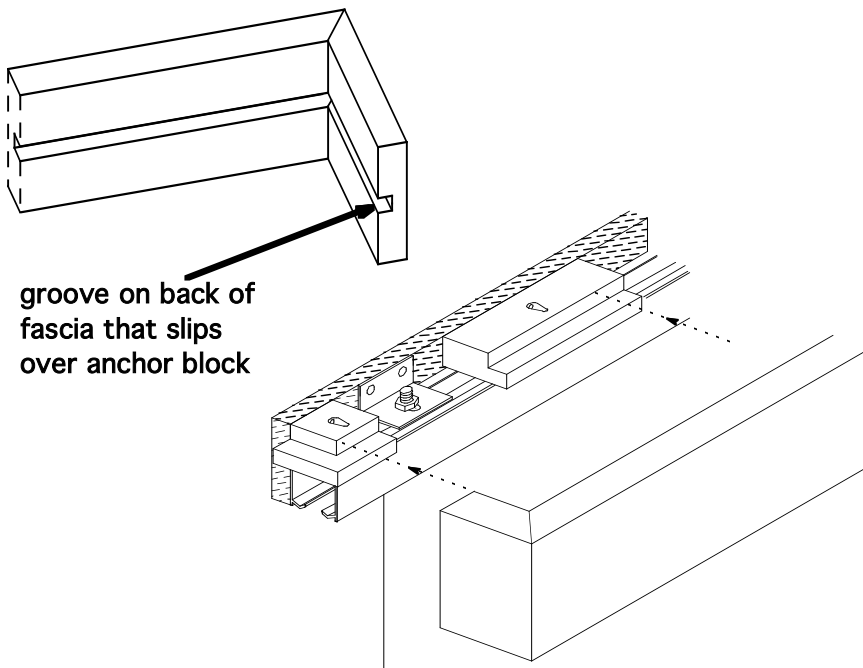


- 2 Trim fascia and track as needed - be sure that cut end is mitered @ 45°



*Be sure to use sharp, fine tooth blade to avoid damaging laminate/veneer

- 3 Fit groove on back of fascia onto anchor block (use small amount of glue) - trimming ends of fascia may be necessary for flush fit



- 4 Slide fascia end piece over anchoring block to complete (glue this as well)

