

Sliding Wall, 4 Panels

(SW4-RD)

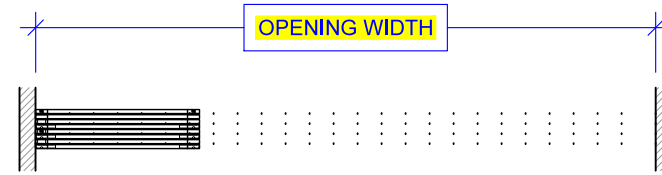
ELEVATION

RAYDOOR STANDARD
SYSTEM DRAWINGS
©2020

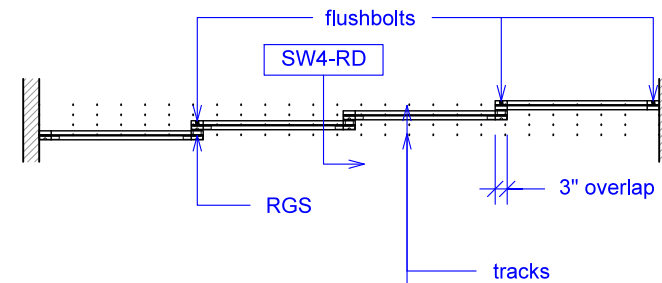


PLAN: open

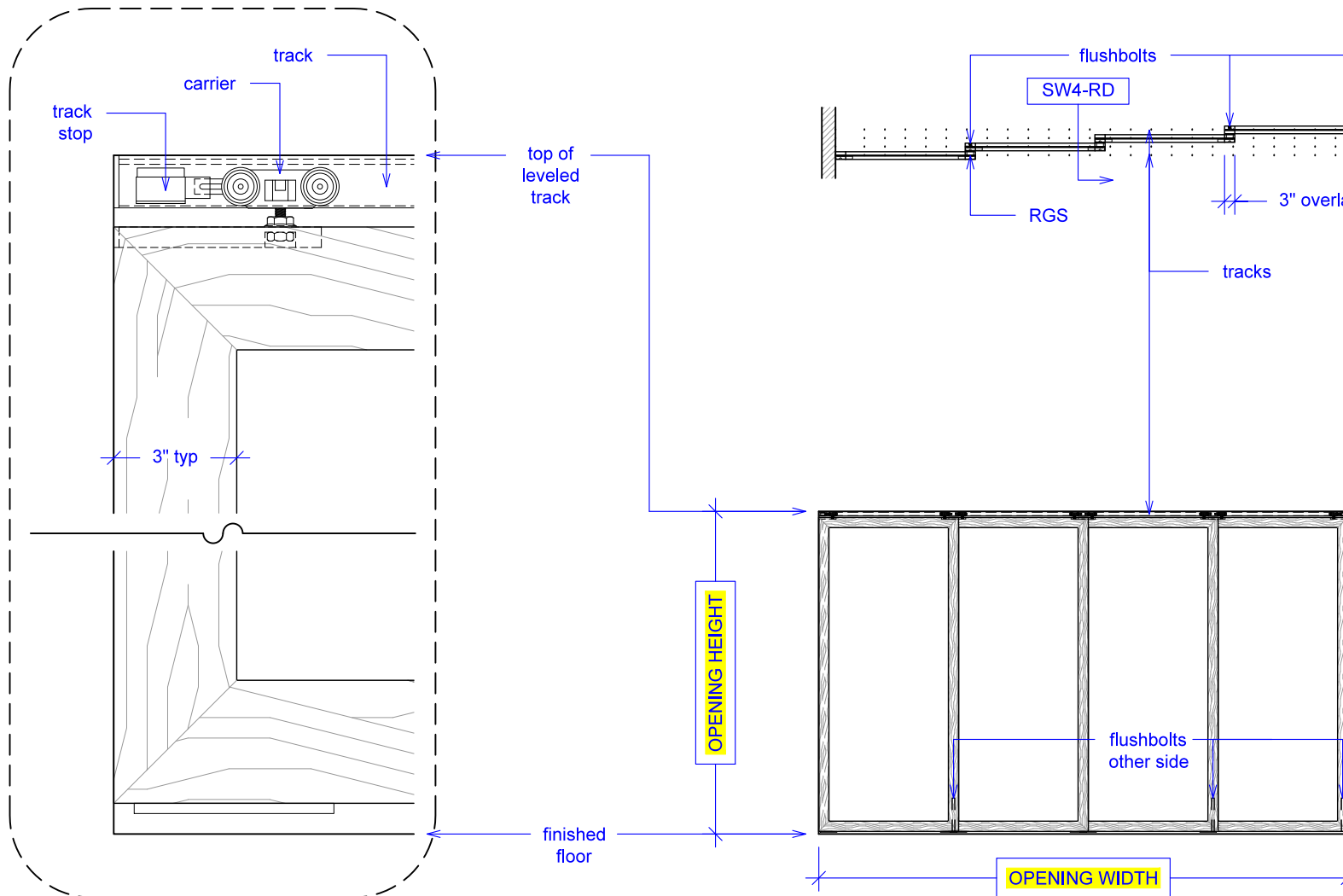
YOUR OPENING HEIGHT = PANEL + 2 $\frac{1}{2}$ "
YOUR OPENING WIDTH = (4 x PANEL) - 9"



PLAN: closed



ELEVATION: closed



OPENING WIDTH

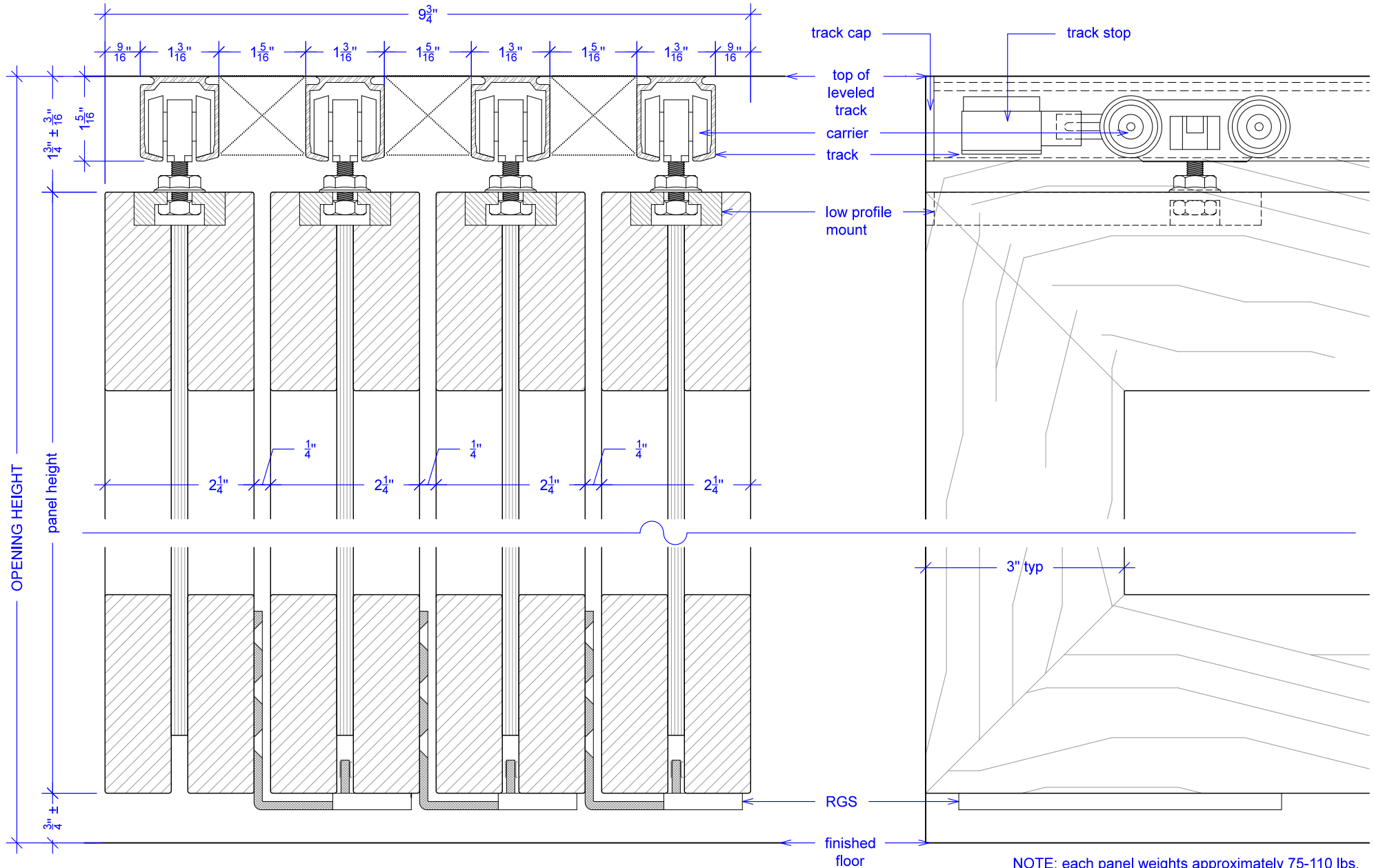
OPENING HEIGHT

Sliding Wall, 4 Panels

(SW4-RD)

SECTION

RAYDOOR STANDARD
SYSTEM DRAWINGS
©2020



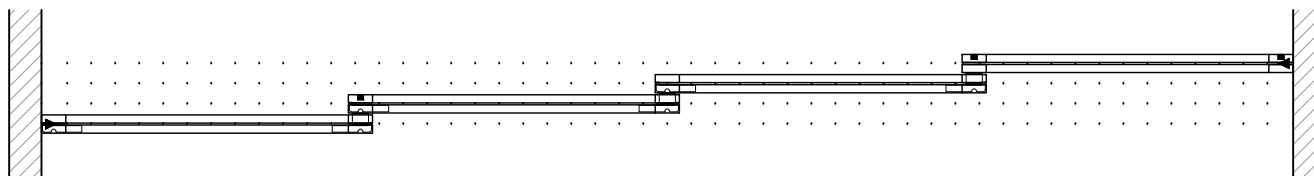
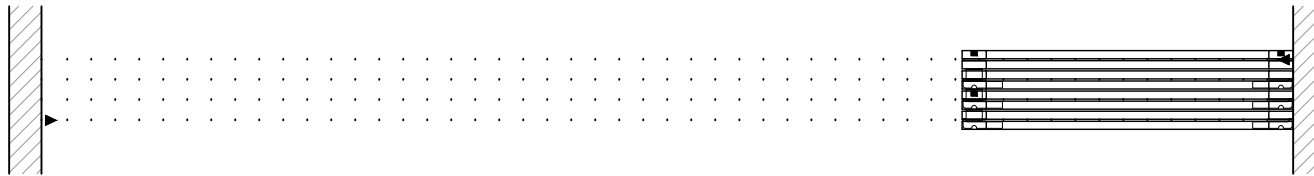
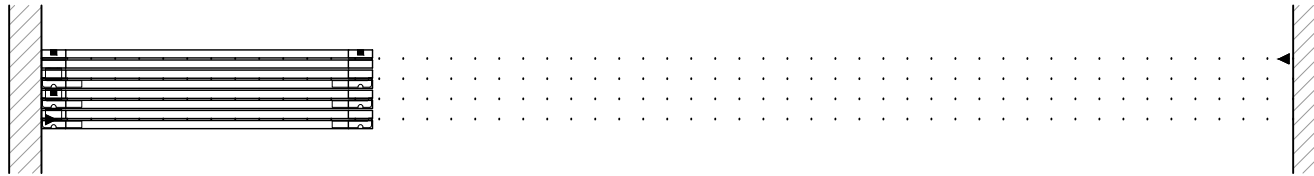
NOTE: each panel weights approximately 75-110 lbs.
Secure tracks accordingly.

Sliding Wall, 4 Panels





(SW4-RD)

OPERATION OVERVIEW

RAYDOOR STANDARD
SYSTEM DRAWINGS
©2020



KEY:

-  track stop
-  RGS hook
-  RGS stop
-  flushbolt