

# SSPE4PV1 sliding stacking perpendicular with pivot – 5 panel

RAYDOOR STANDARD  
SYSTEM DRAWINGS  
©2016

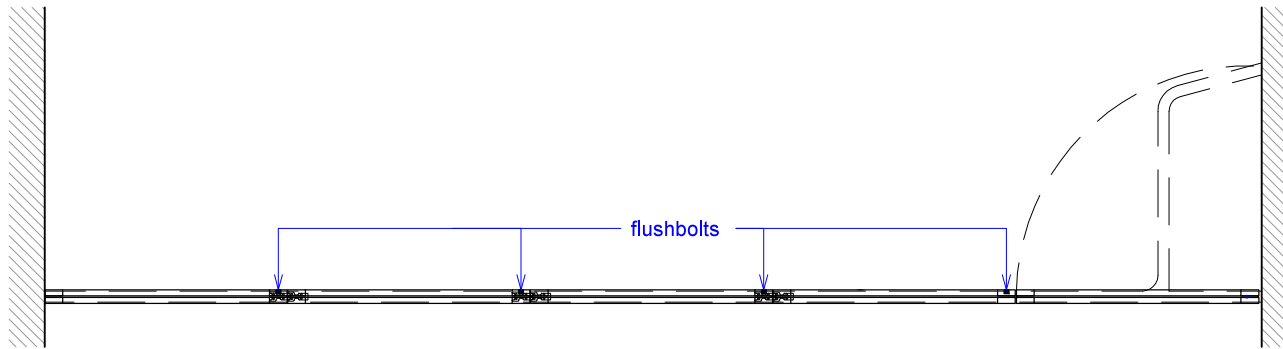


These drawings are generic standards – for details specific to your order, please refer to your custom verification drawings

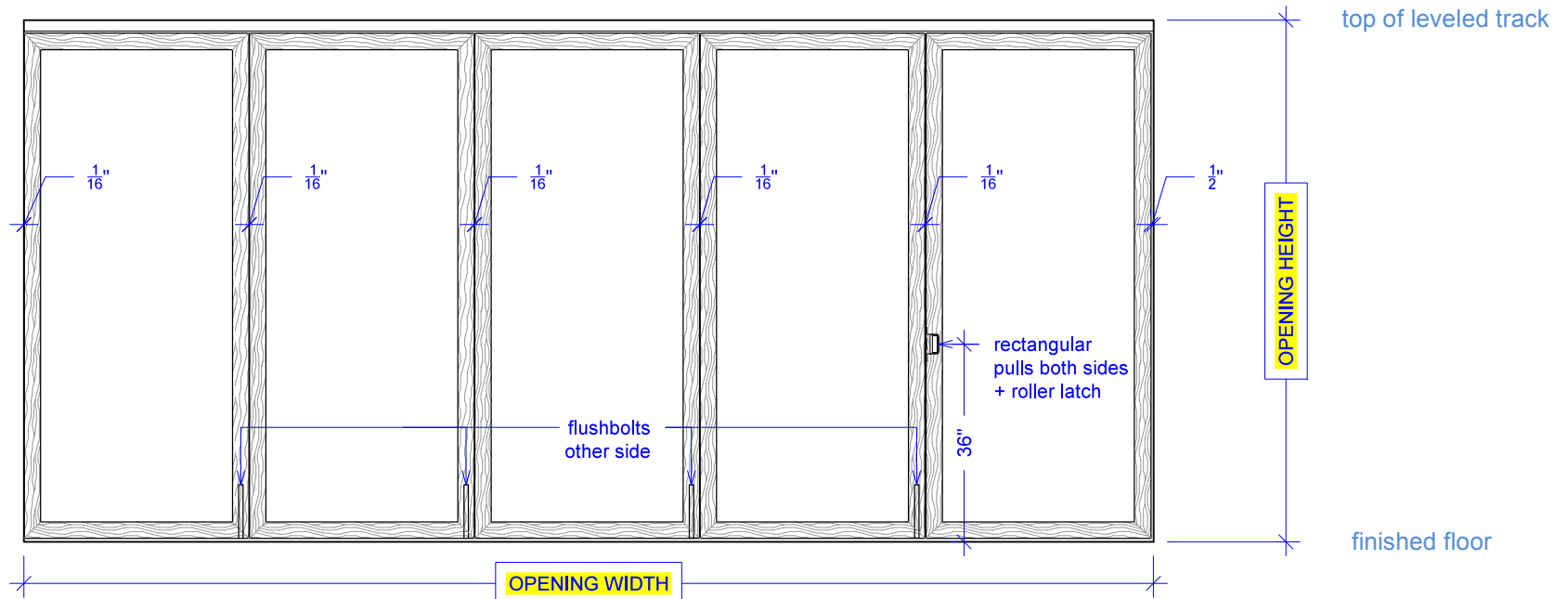
**YOUR OPENING HEIGHT = PANEL + 3"**

**YOUR OPENING WIDTH = (PANEL x 5) +  $\frac{15}{16}$ "**

PLAN: closed



ELEVATION: closed



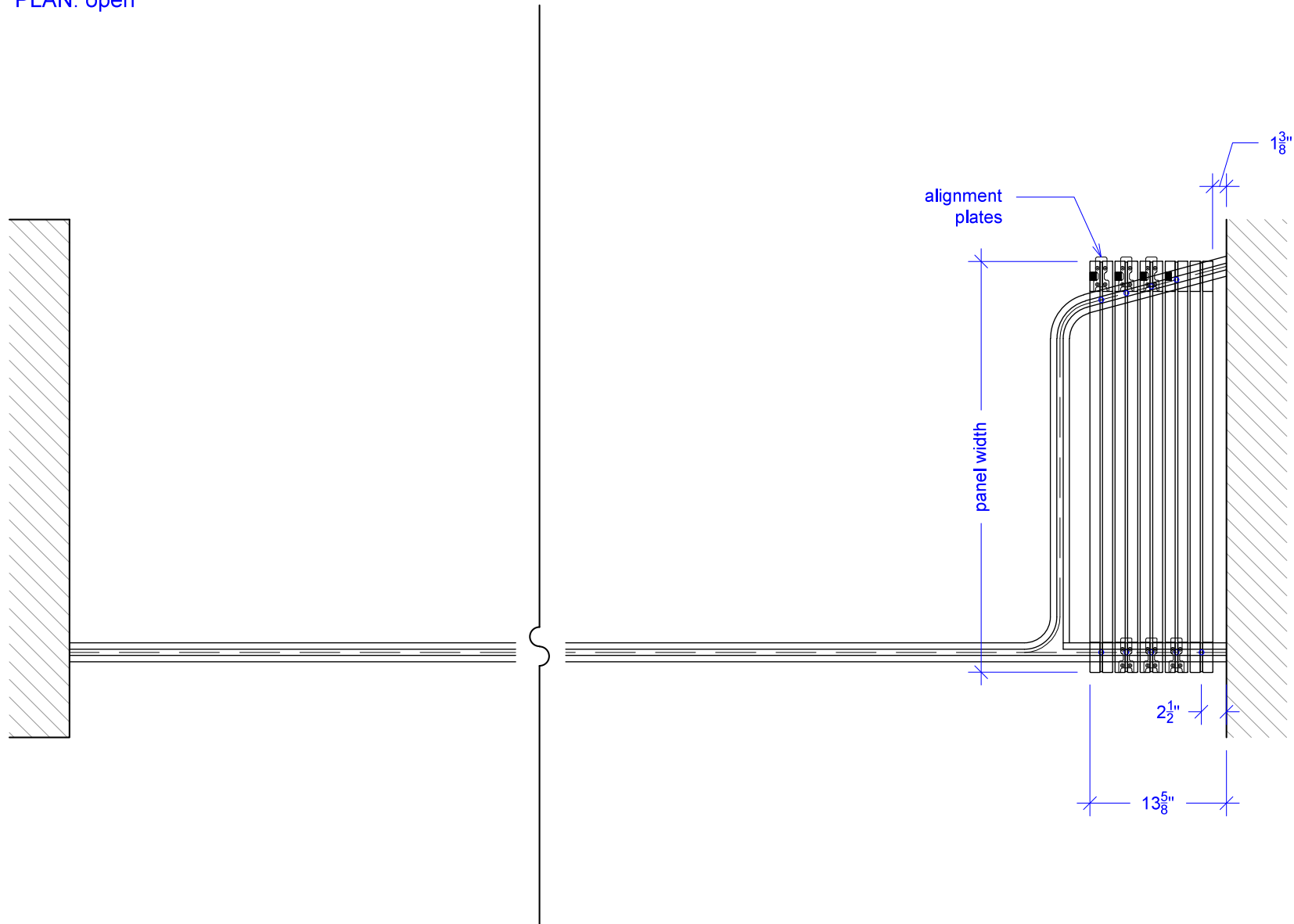
# SSPE4PV1 sliding stacking perpendicular with pivot – 5 panel

RAYDOOR STANDARD  
SYSTEM DRAWINGS  
©2016



These drawings are generic standards – for details specific to your order, please refer to your custom verification drawings

PLAN: open



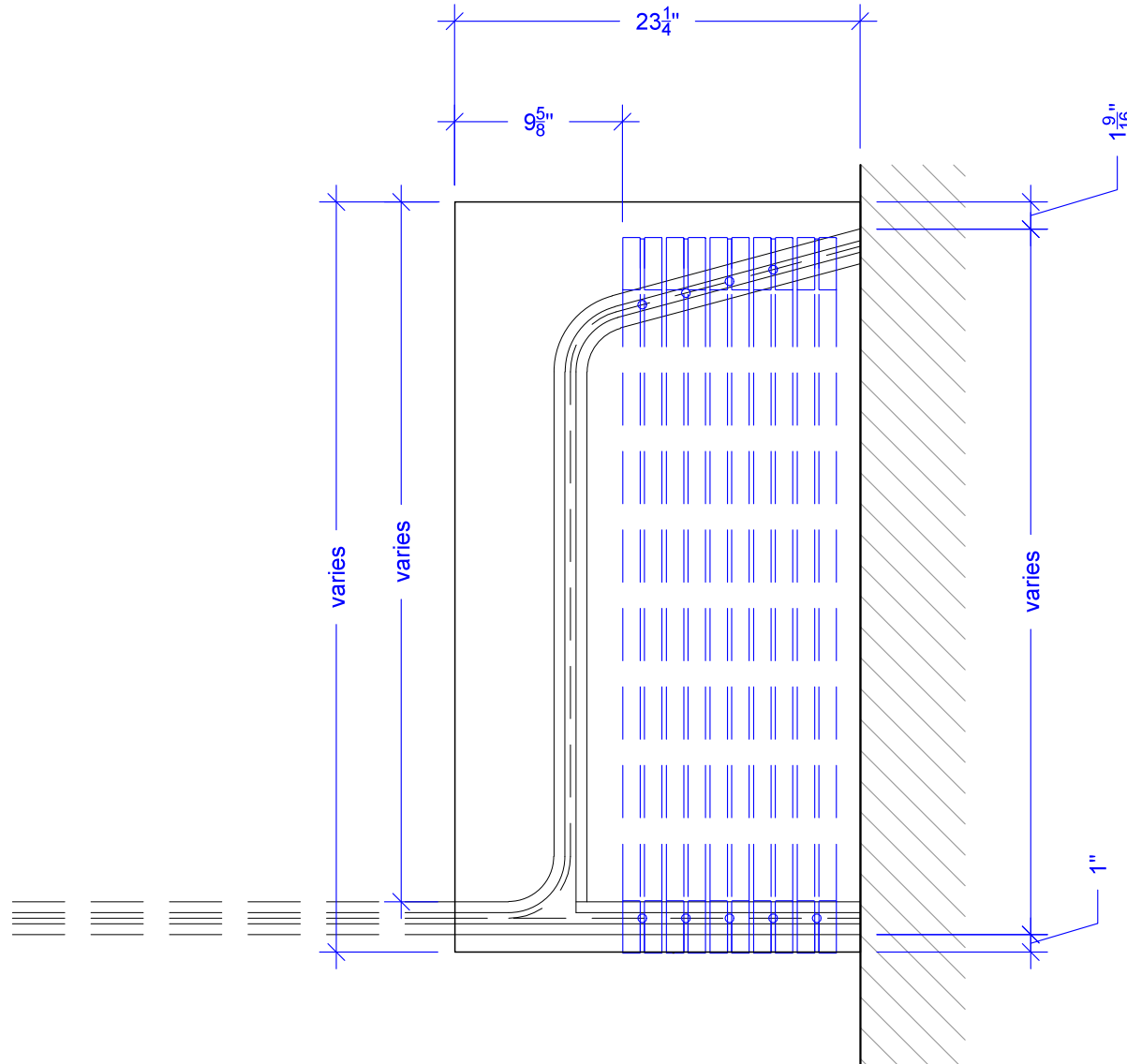
# SSPE4PV1 sliding stacking perpendicular with pivot – 5 panel

RAYDOOR STANDARD  
SYSTEM DRAWINGS  
©2016



These drawings are generic standards – for details specific to your order, please refer to your custom verification drawings

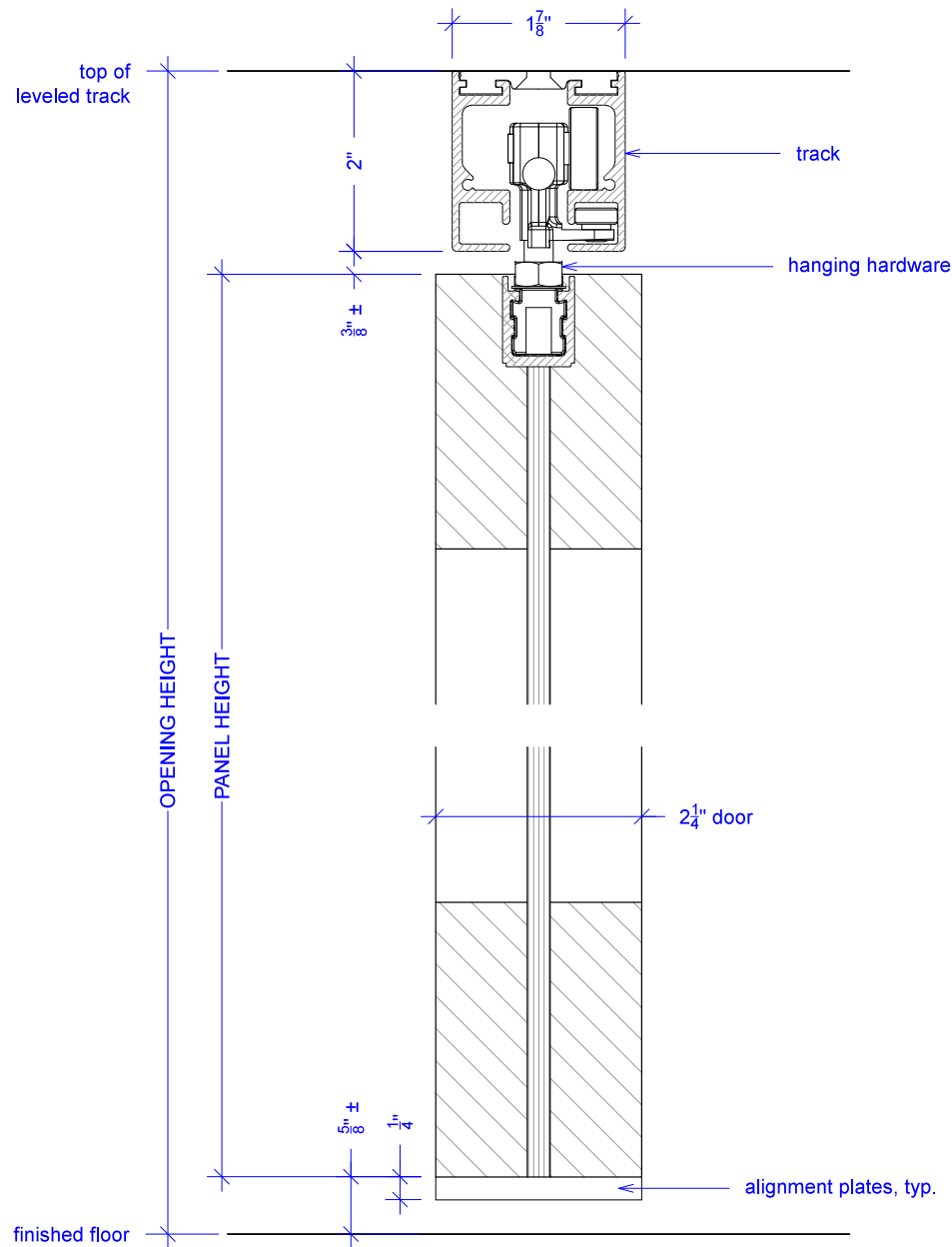
Stacking Area:  
reflected ceiling plan



# SSPEPV sliding stacking perpendicular with pivot



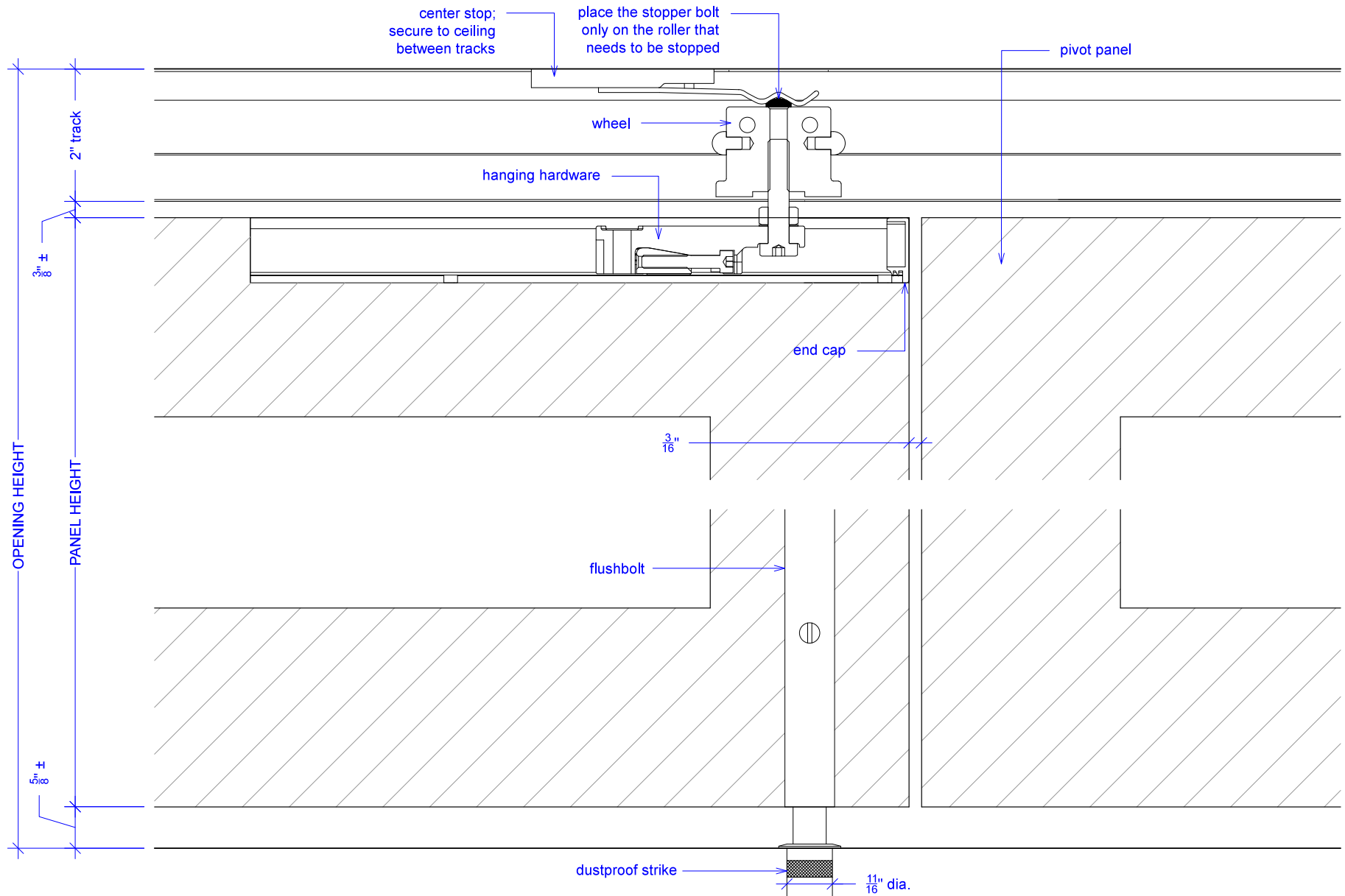
**Important Notes:**  
Each panel weighs approximately 85-110lbs. Secure tracks accordingly.  
This page represents GENERIC system detail. Please refer to Elevation page for your custom configuration.



# SSPEPV sliding stacking perpendicular with pivot



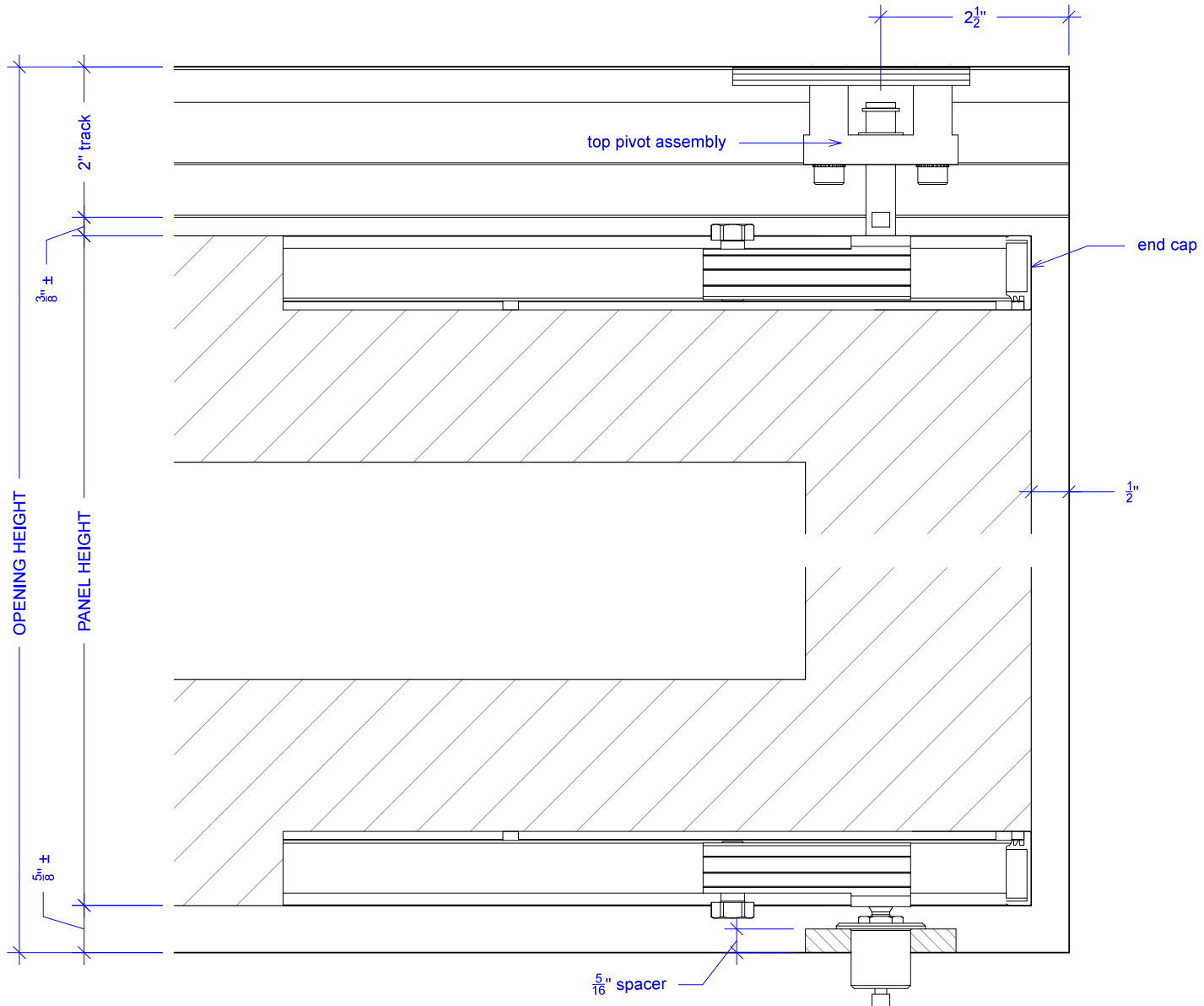
Important Notes:  
Each panel weighs approximately 85-110lbs. Secure tracks accordingly.  
This page represents GENERIC system detail. Please refer to Elevation page  
for your custom configuration.



# SSPEPV sliding stacking perpendicular with pivot



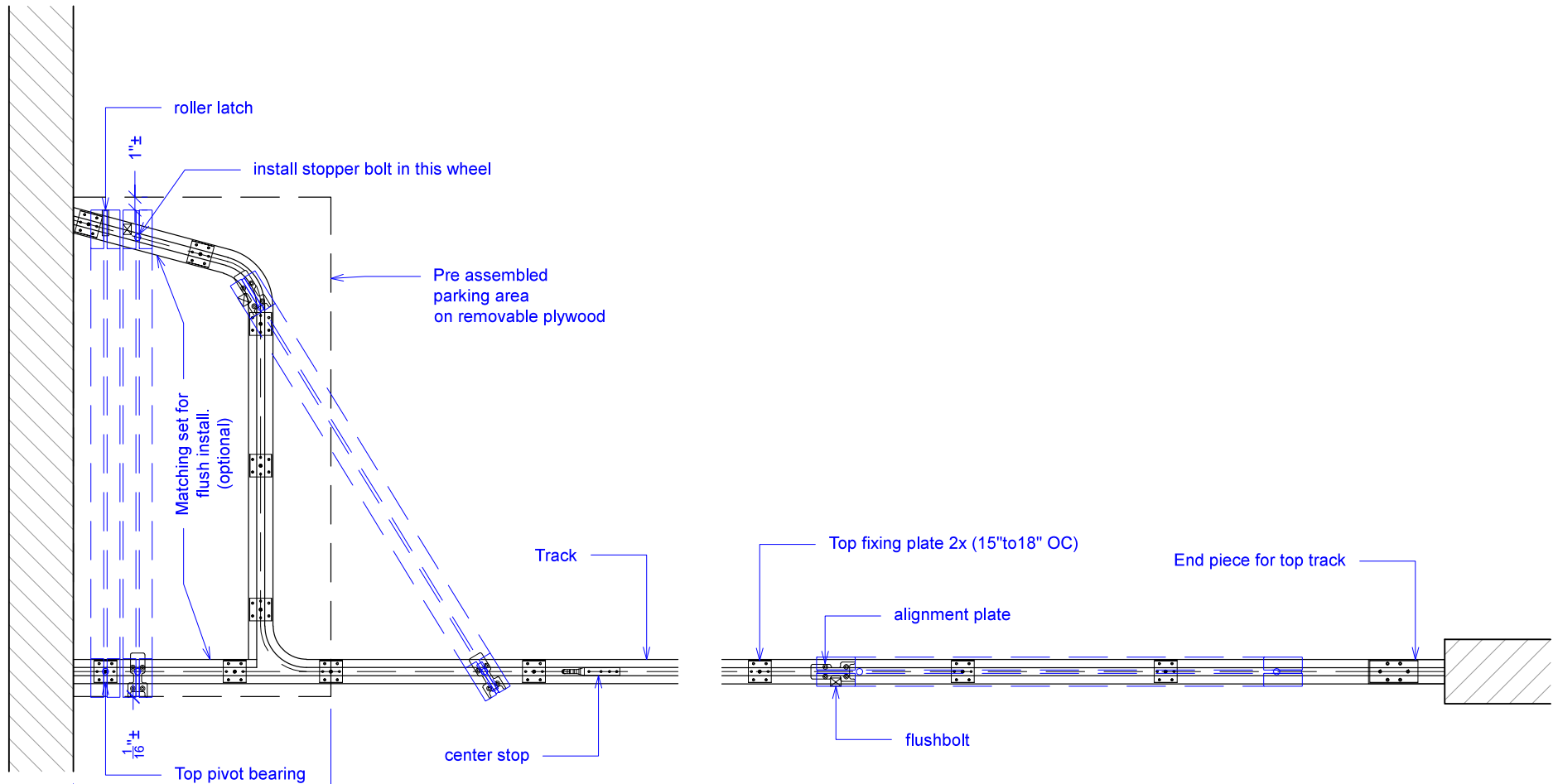
Important Notes:  
Each panel weights approximately 85-100lbs. Secure tracks accordingly.  
This page represents GENERIC system detail. Please refer to Elevation page  
for your custom configuration.





**Important Notes:**

Each panel weighs approximately 85-110lbs. Secure tracks accordingly.  
This page represents GENERIC system detail. Please refer to Elevation page  
for your custom configuration.



\*depending on number of panels,  
please refer to your custom Build Order,  
approximately:  $(N \times 2.5") + 10\frac{3}{4}"$ ,  
where N = number of panels

# SSPEPV sliding stacking perpendicular with pivot

RAYDOOR STANDARD  
SYSTEM DRAWINGS  
©2016



**Important Notes:**  
Each panel weighs approximately 85-110lbs. Secure tracks accordingly.  
This page represents GENERIC system detail. Please refer to Elevation page for your custom configuration.

