

SSPA5 sliding stacking parallel – 5 panel

RAYDOOR STANDARD
SYSTEM DRAWINGS
©2016

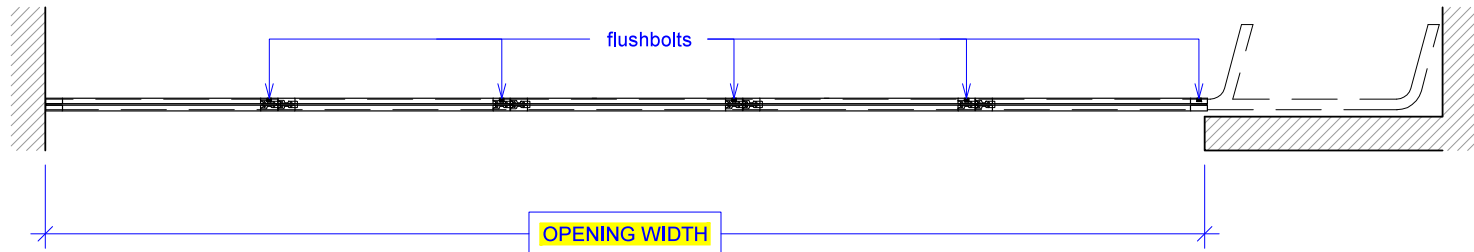


These drawings are generic standards – for details specific to your order, please refer to your custom verification drawings

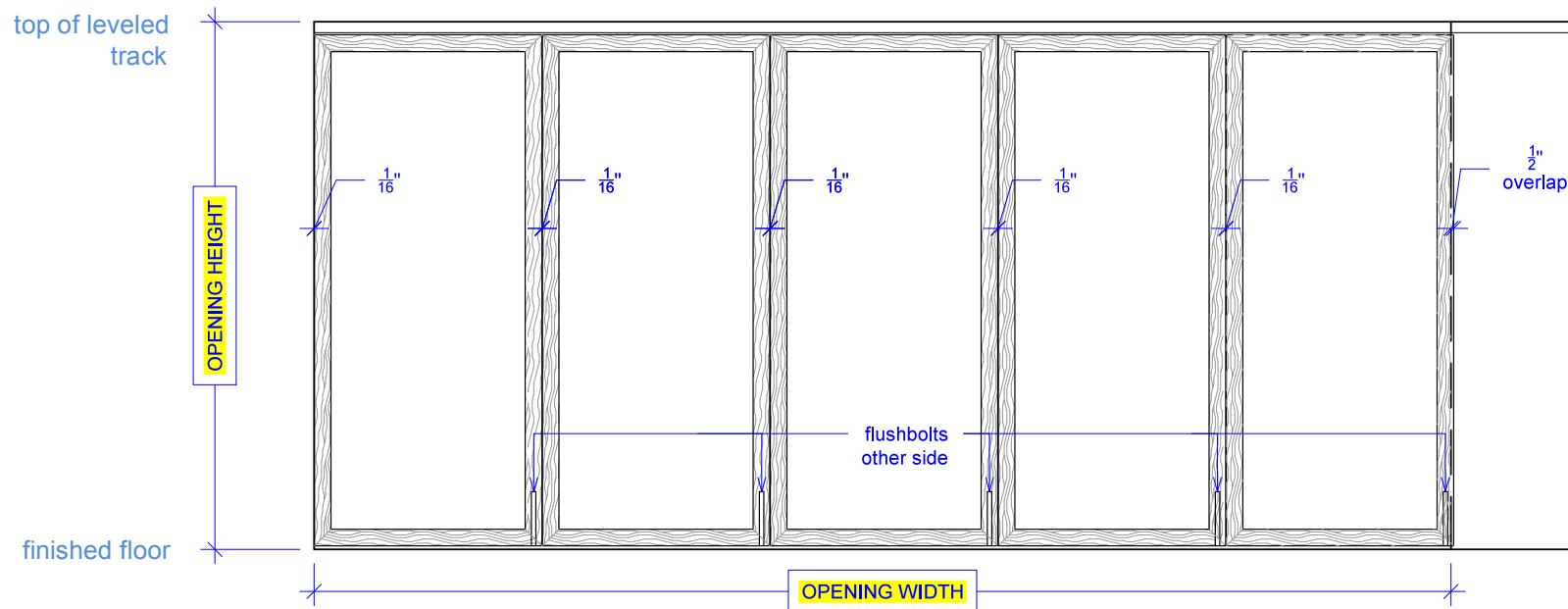
YOUR OPENING HEIGHT = PANEL + 3"

YOUR OPENING WIDTH = (PANEL x 5) – $\frac{3}{16}$ "

PLAN: closed



ELEVATION: closed



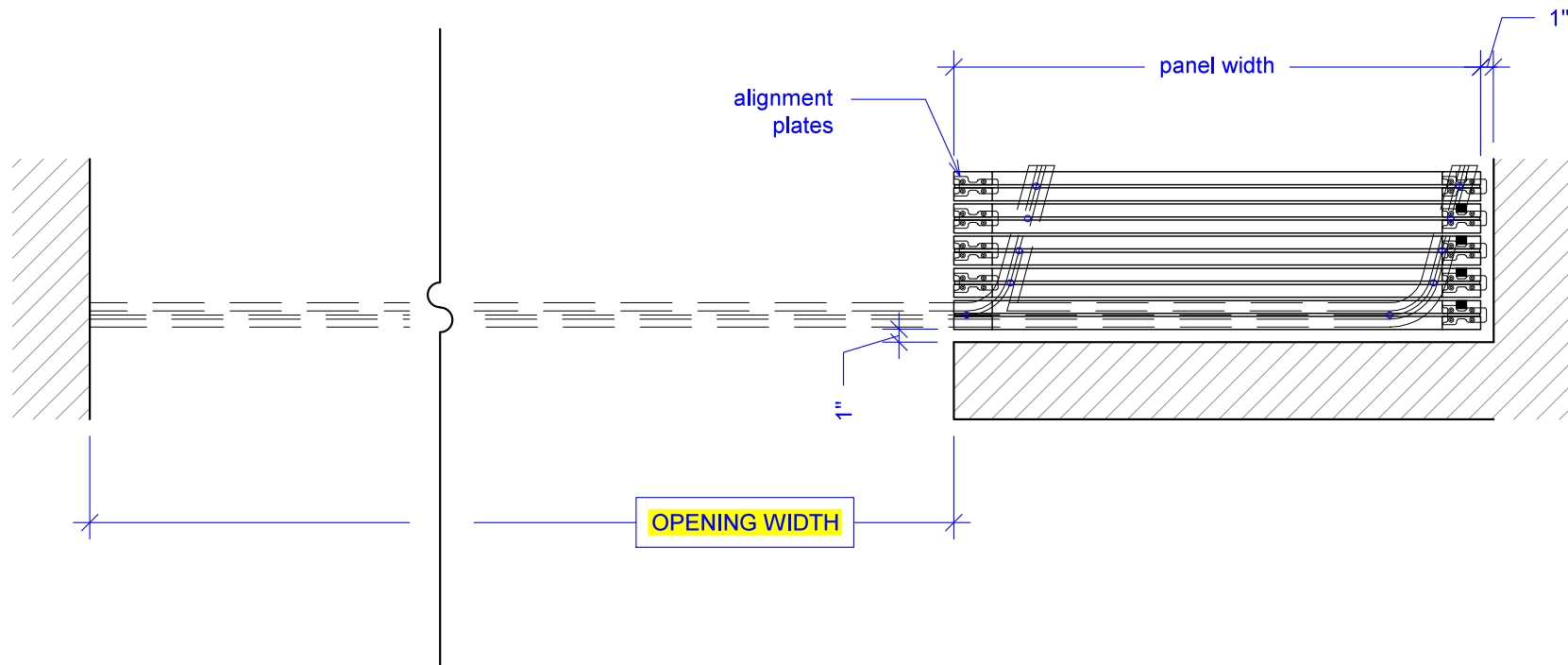
SSPA5 sliding stacking parallel – 5 panel

RAYDOOR STANDARD
SYSTEM DRAWINGS
©2016



These drawings are generic standards – for details specific to your order, please refer to your custom verification drawings

PLAN: open



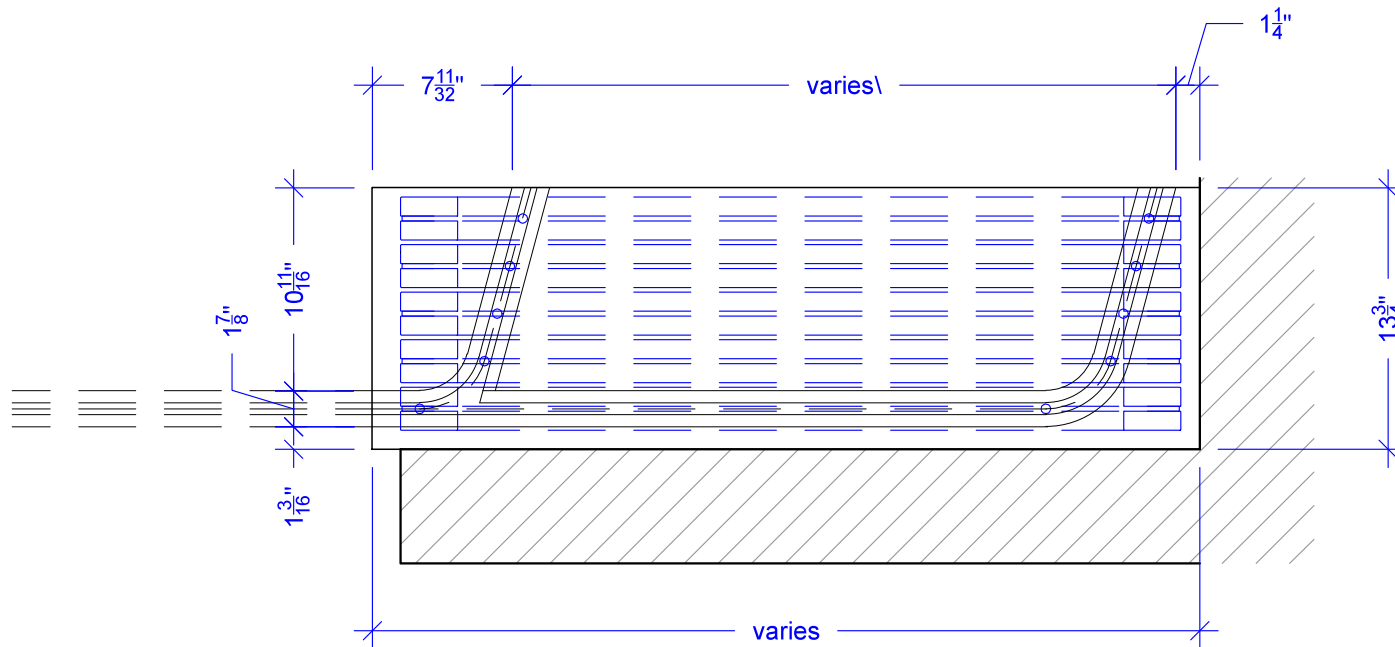
SSPA5 sliding stacking parallel – 5 panel

RAYDOOR STANDARD
SYSTEM DRAWINGS
©2016



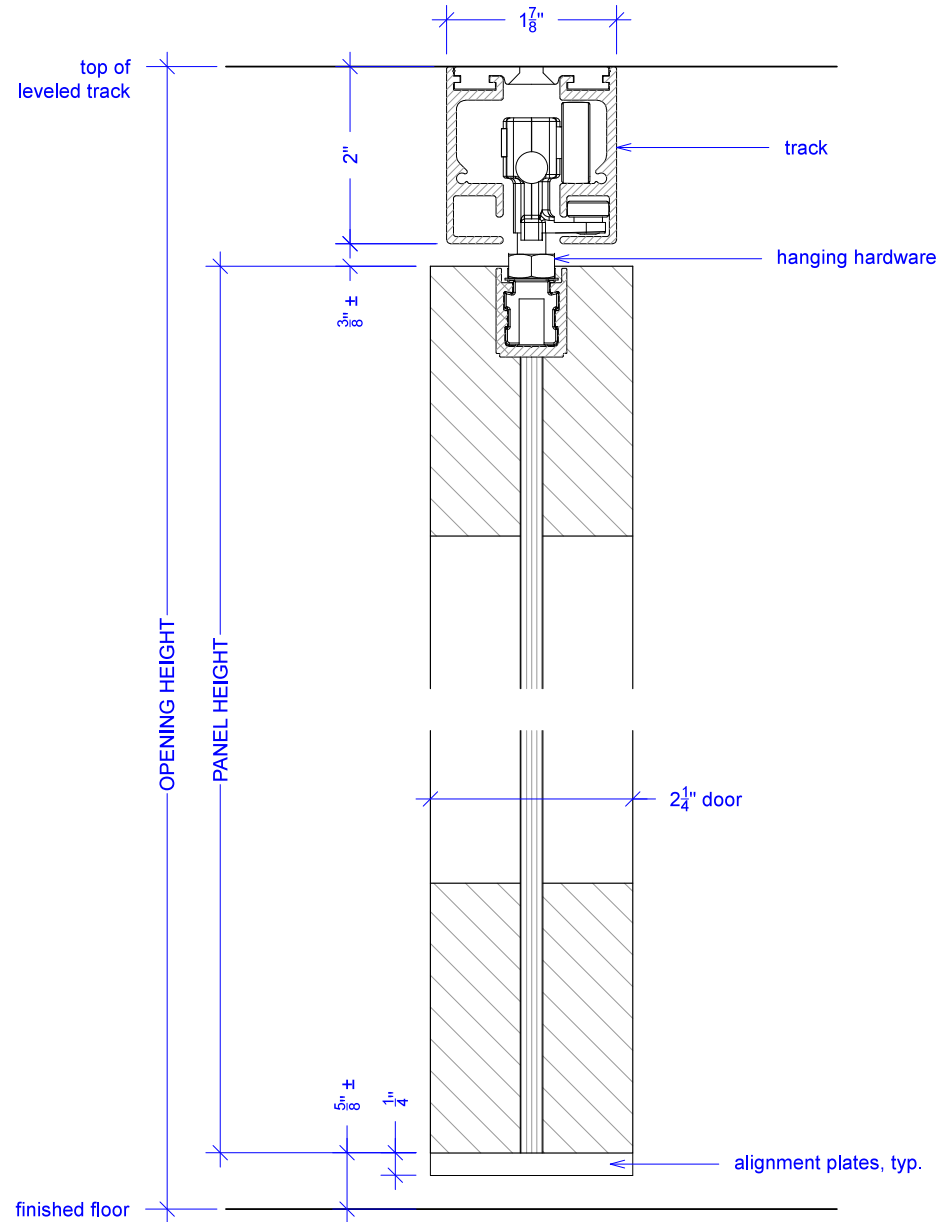
These drawings are generic standards – for details specific to your order, please refer to your custom verification drawings

Stacking Area:
reflected ceiling plan





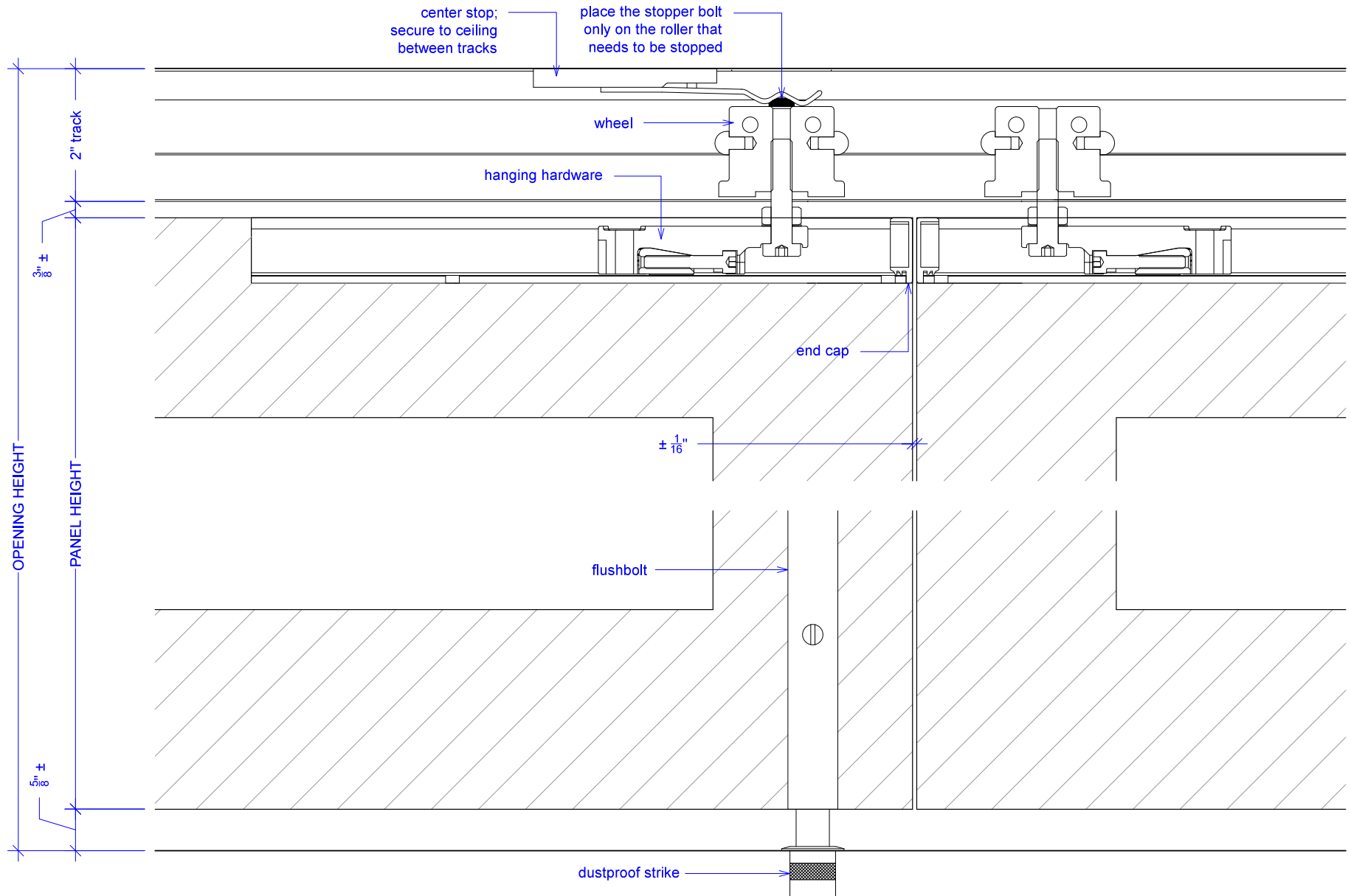
Important Notes:
Each panel weighs approximately 85-110lbs. Secure tracks accordingly.
This page represents GENERIC system detail. Please refer to Elevation page for your custom configuration.



SSPA sliding stacking parallel



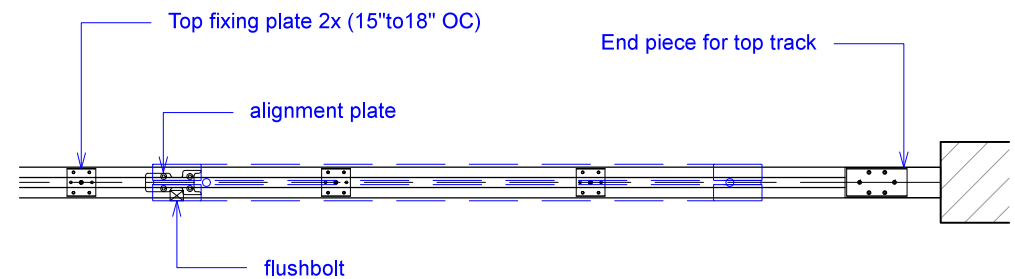
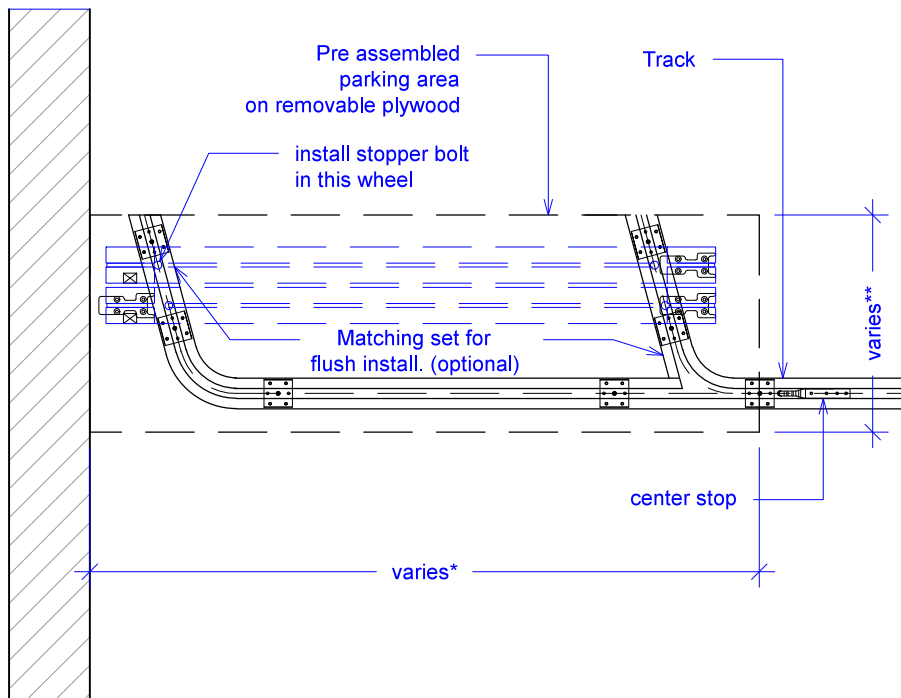
Important Notes:
Each panel weighs approximately 85-110lbs. Secure tracks accordingly.
This page represents GENERIC system detail. Please refer to Elevation page
for your custom configuration.





Important Notes:

Each panel weighs approximately 85-110lbs. Secure tracks accordingly.
This page represents GENERIC system detail. Please refer to Elevation page for your custom configuration.



*depending on panel width, please refer to your custom Build Order, approximately (panel width) + 2 $\frac{1}{2}$ "

**depending on number of panels, please refer to your custom Build Order, approximately (N x 2.5") + 1 $\frac{1}{4}$ "