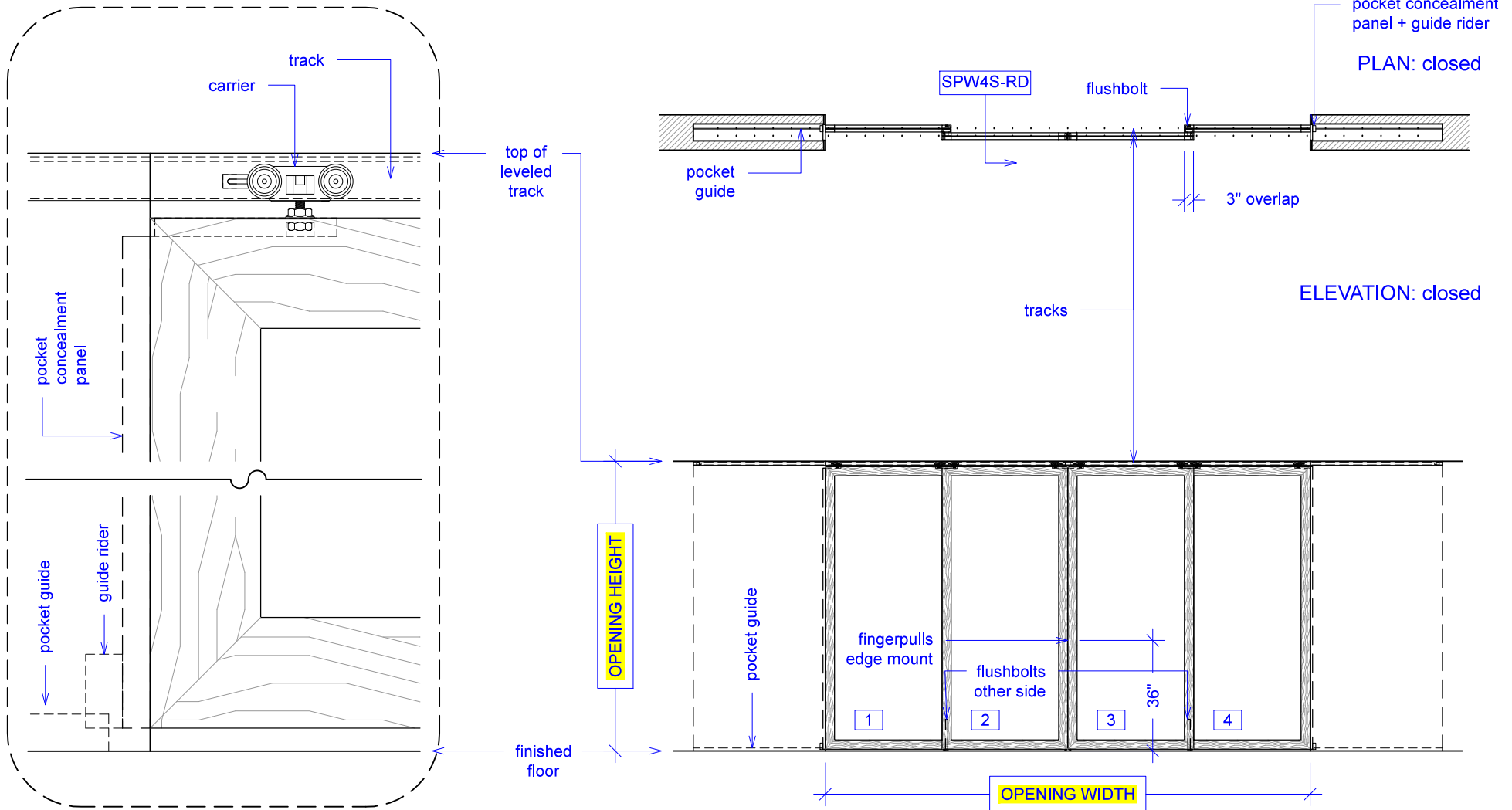
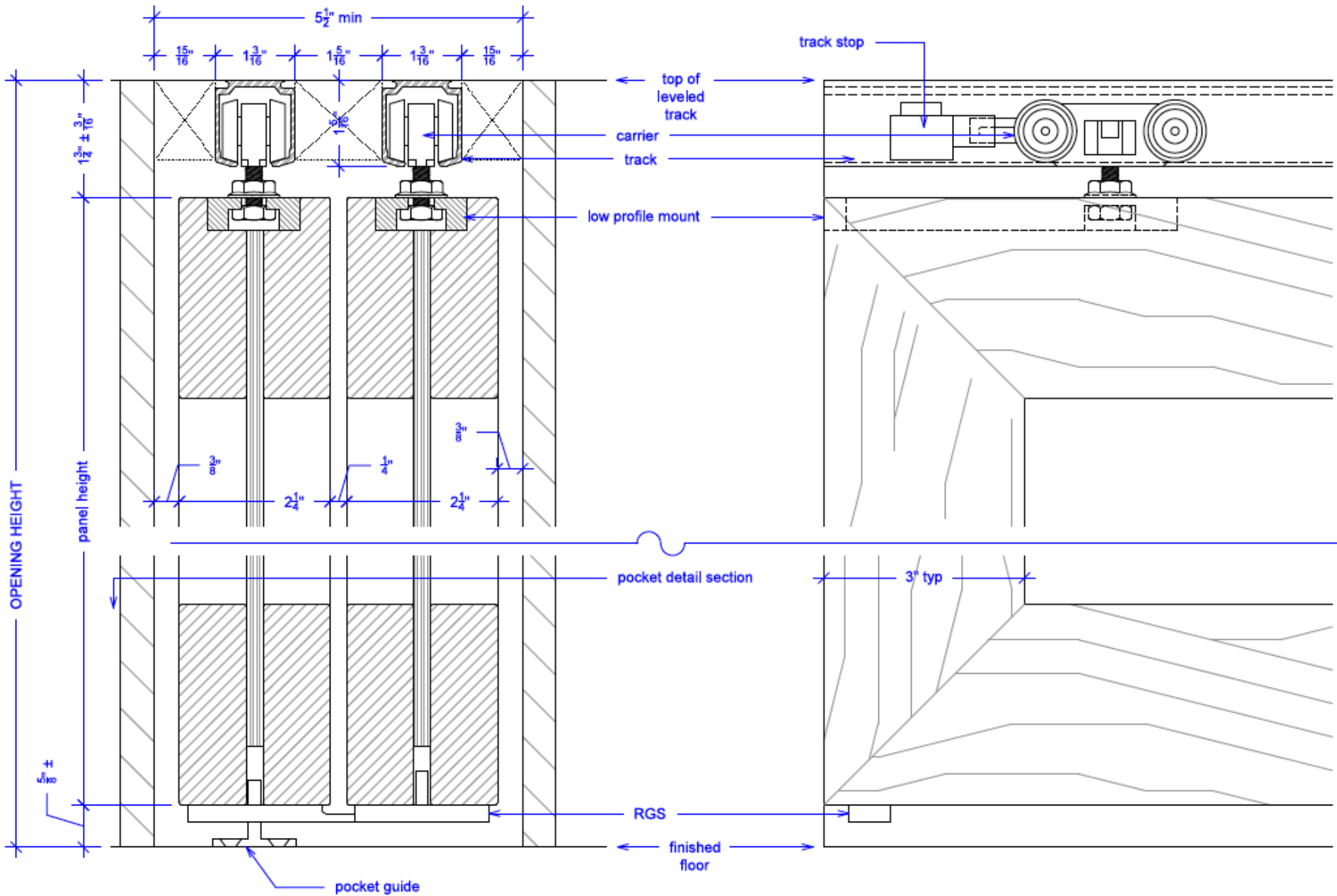




YOUR OPENING HEIGHT = PANEL + 2-3/8"
YOUR OPENING WIDTH = (PANEL x 4) - 6



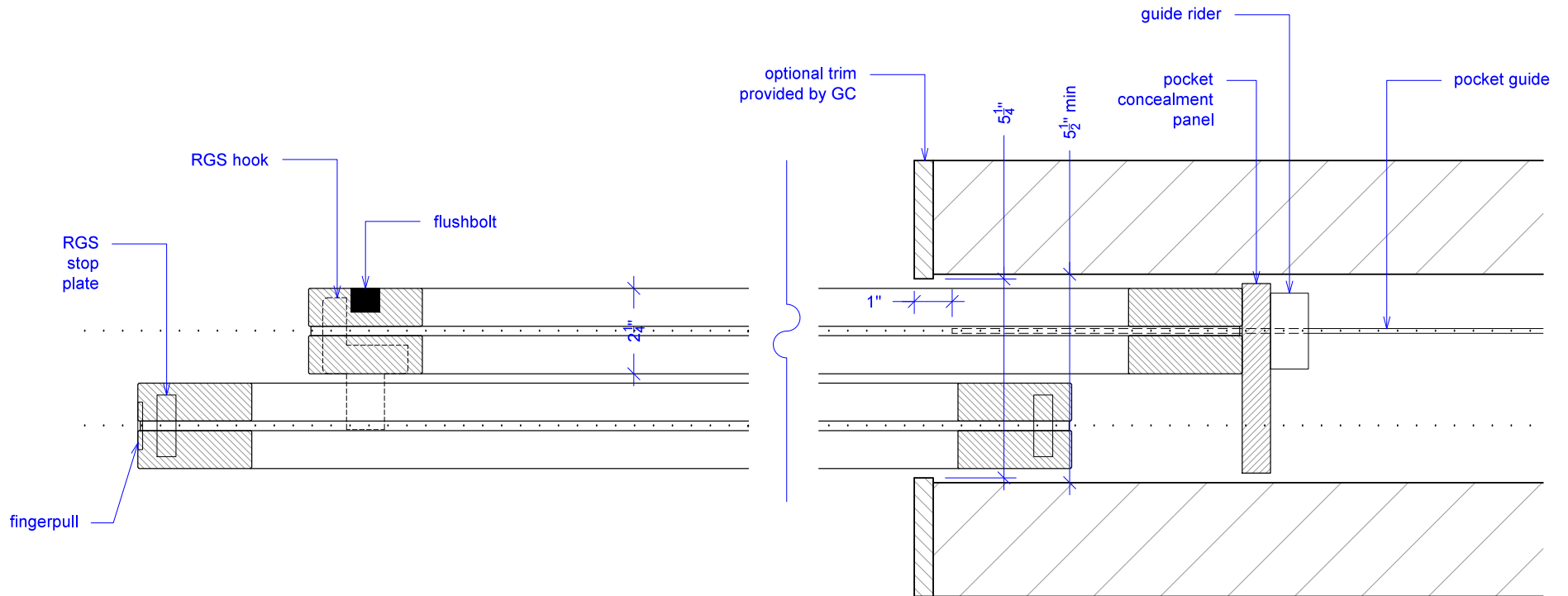
SPW4S - 225





NOTE: each panel weights approximately 75-110 lbs.
Secure tracks accordingly.

NOTE: pocket depth should be 2"
deeper than width of doors



Guide rider is a block with a slit for the pocket guide; it allows for full extension, attach to bottom of concealment panel.



NOTE: each panel weights approximately 75-110 lbs.
Secure tracks accordingly.

