

# Sliding Pocket Wall w/ Soft-Close, 2 Panels

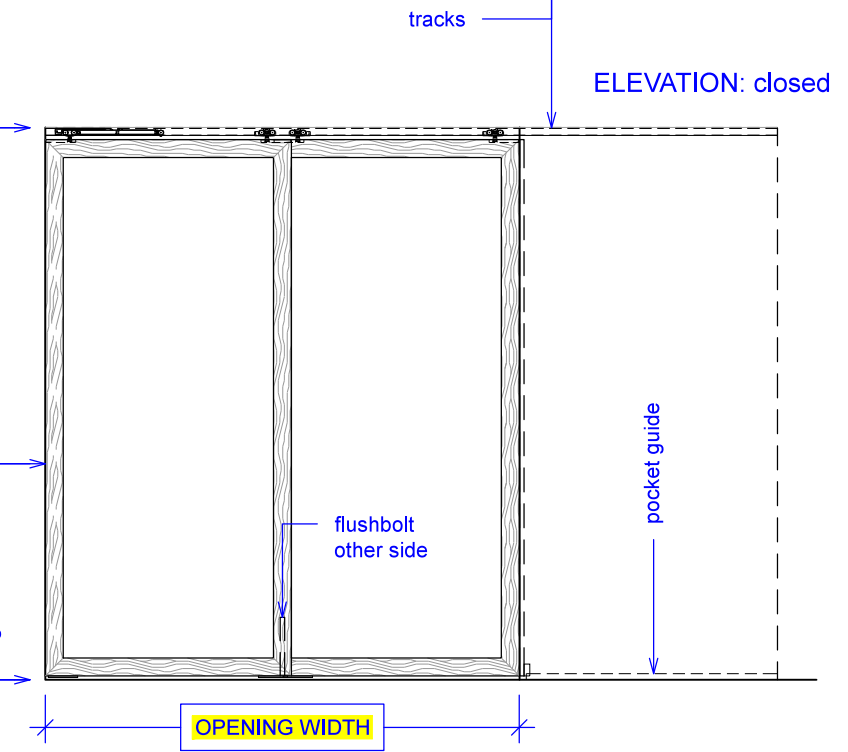
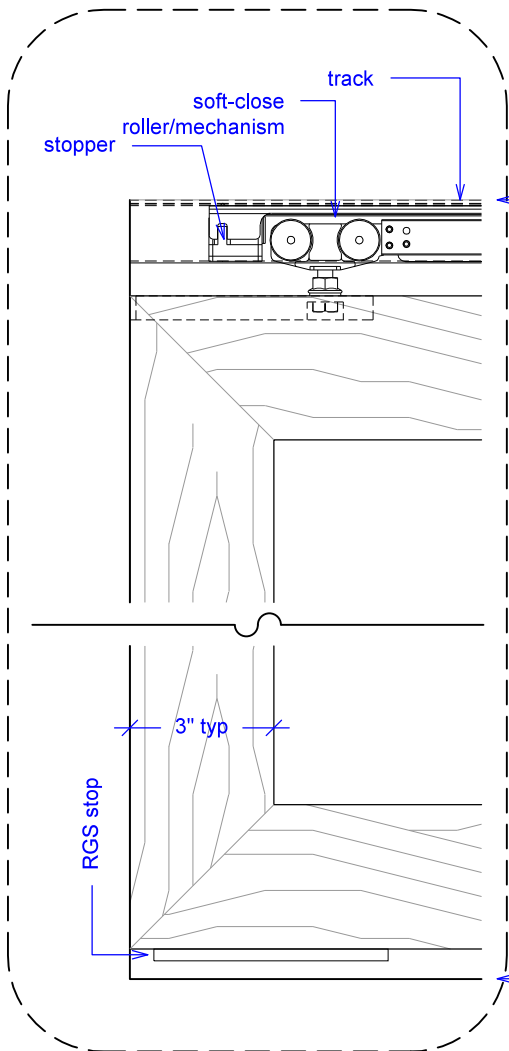
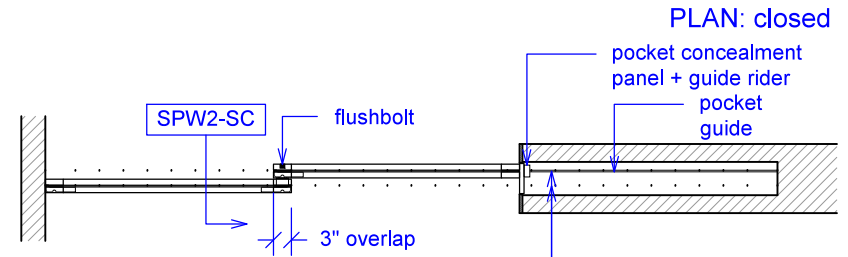
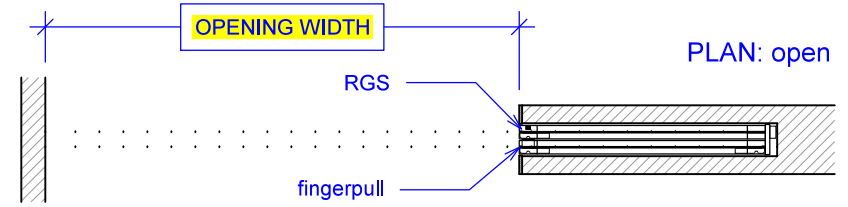
(SPW2-SC)

ELEVATION

RAYDOOR STANDARD  
SYSTEM DRAWINGS  
©2020



YOUR OPENING HEIGHT = PANEL + 2<sup>5</sup>/<sub>8</sub>"  
YOUR OPENING WIDTH = (2 x PANEL) - 3"

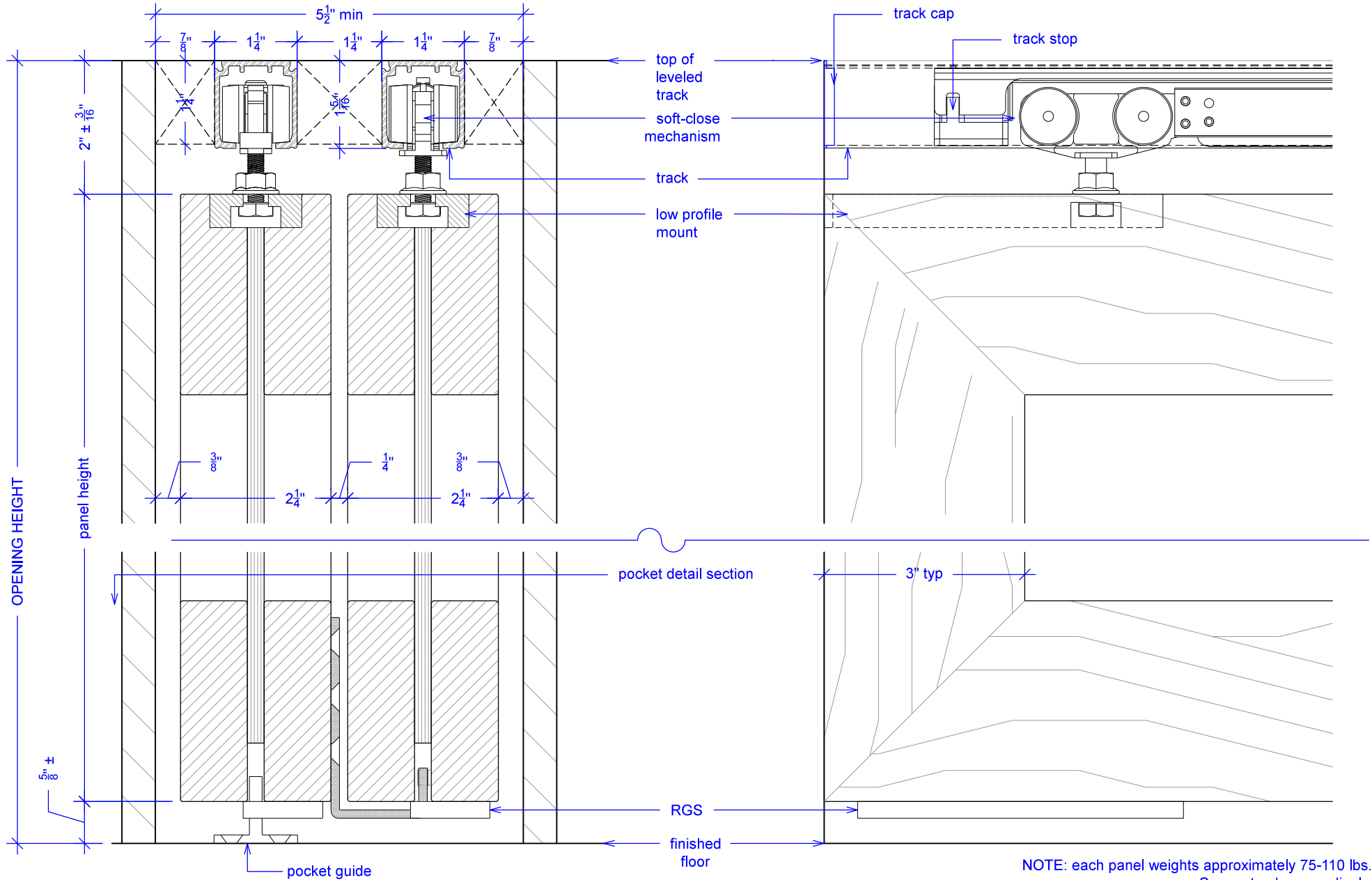


# Sliding Pocket Wall w/ Soft-Close, 2 Panels

(SPW2-SC)

SECTION

RAYDOOR STANDARD  
SYSTEM DRAWINGS  
©2020



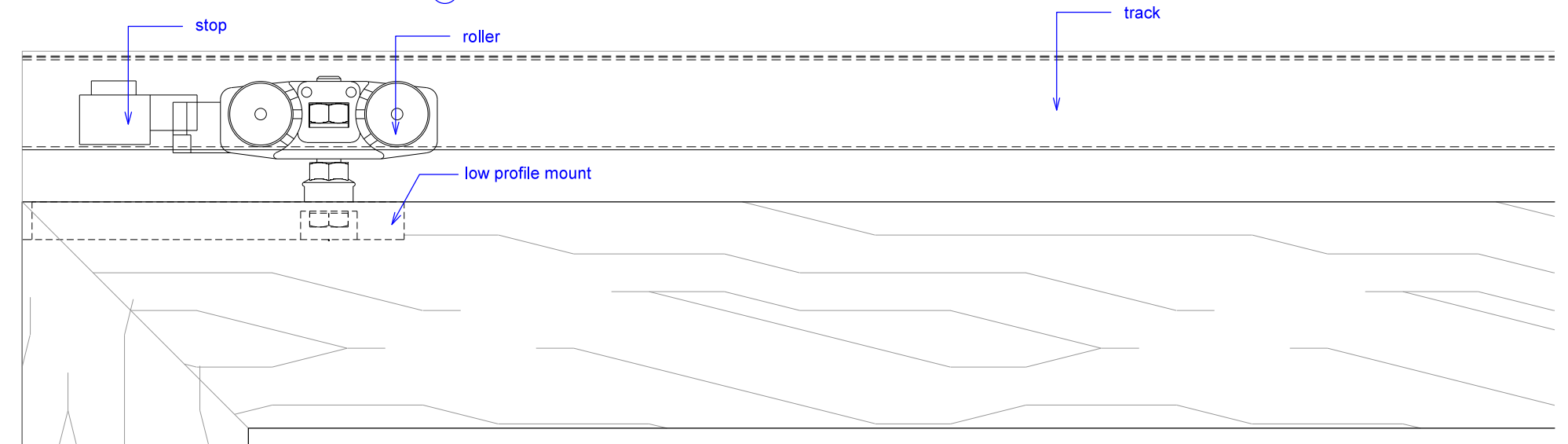
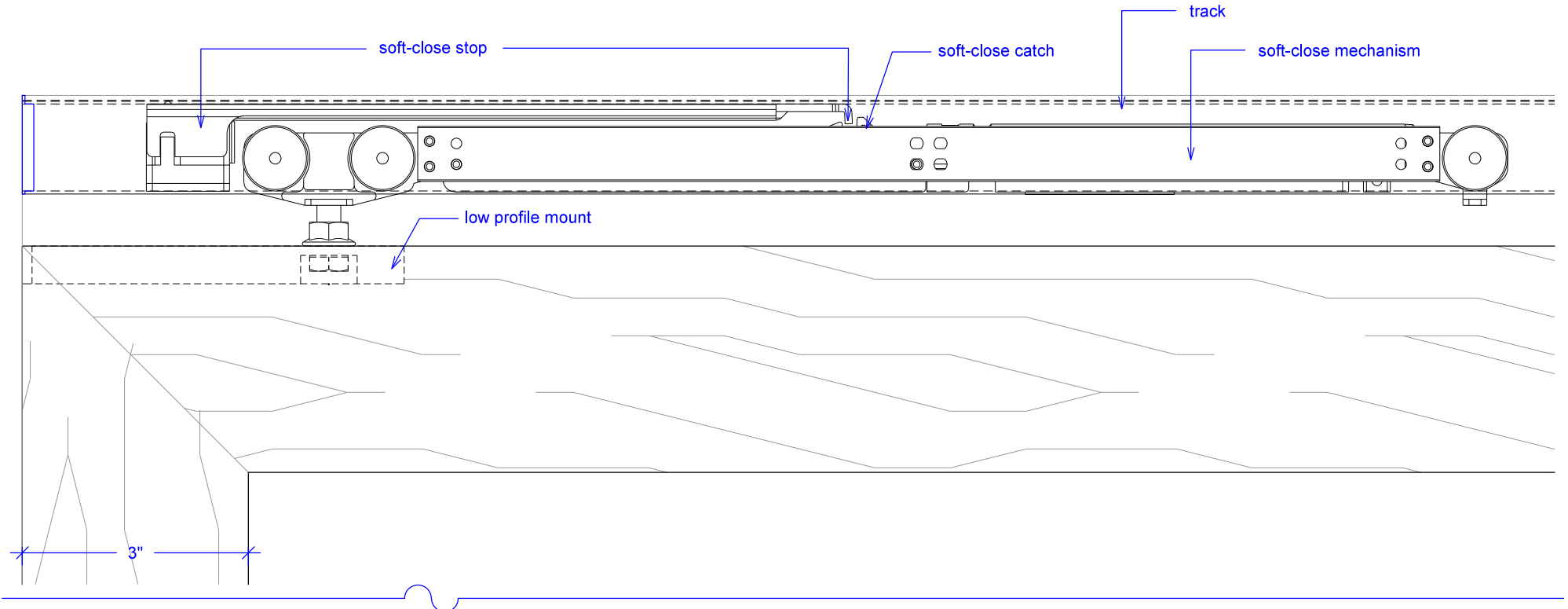
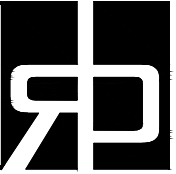
NOTE: each panel weights approximately 75-110 lbs.  
Secure tracks accordingly.

# Sliding Pocket Wall w/ Soft-Close, 2 Panels

(SPW2-SC)

## SOFT-CLOSE HARDWARE

RAYDOOR STANDARD  
SYSTEM DRAWINGS  
©2020



# Sliding Pocket Wall w/ Soft-Close, 2 Panels

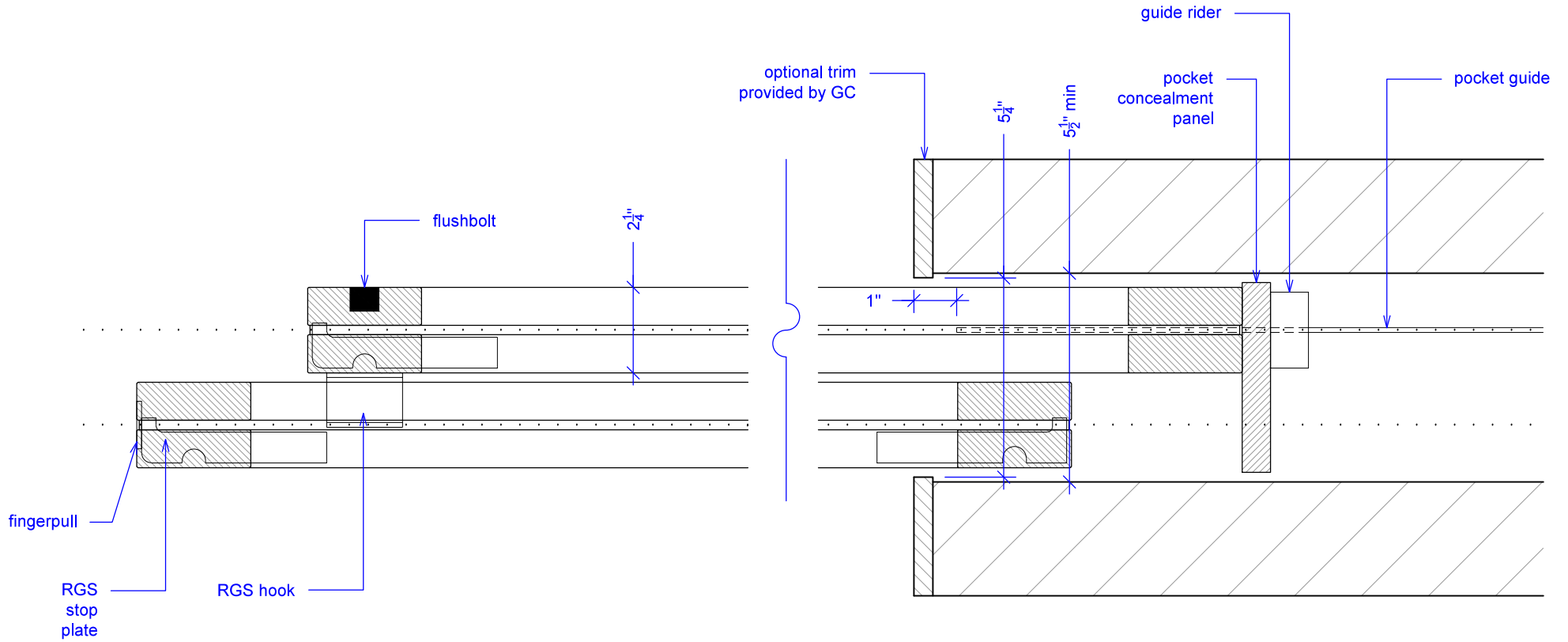
(SPW2-SC)

## POCKET DETAIL

RAYDOOR STANDARD  
SYSTEM DRAWINGS  
©2020



NOTE: pocket depth should be 2"  
deeper than width of doors



Guide rider is a block with a slit for the pocket guide; it allows for full extension, attach to bottom of concealment panel.

# Sliding Pocket Wall w/ Soft-Close, 2 Panels

(SPW2-SC)

## OPERATION OVERVIEW

RAYDOOR STANDARD  
SYSTEM DRAWINGS  
©2020

