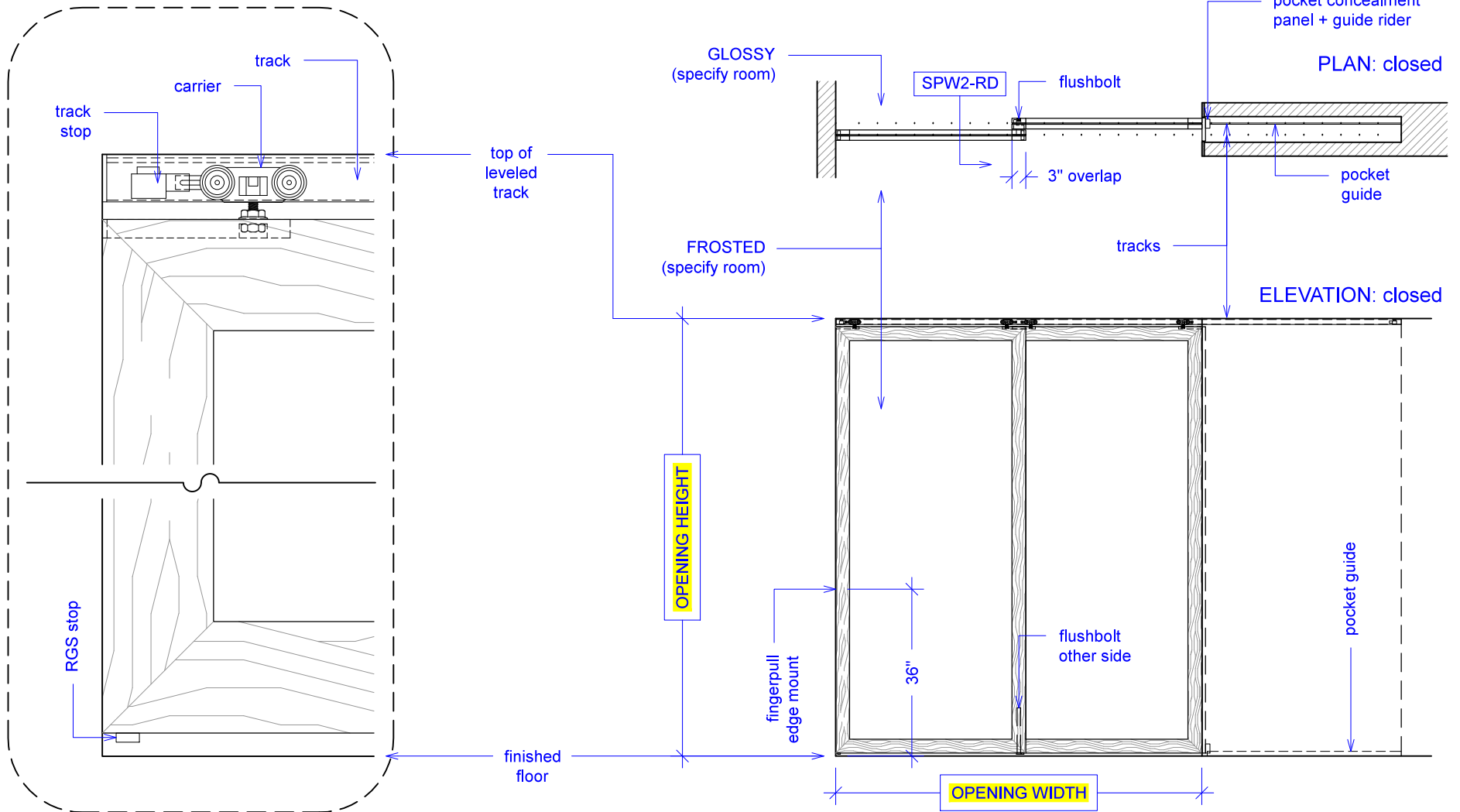
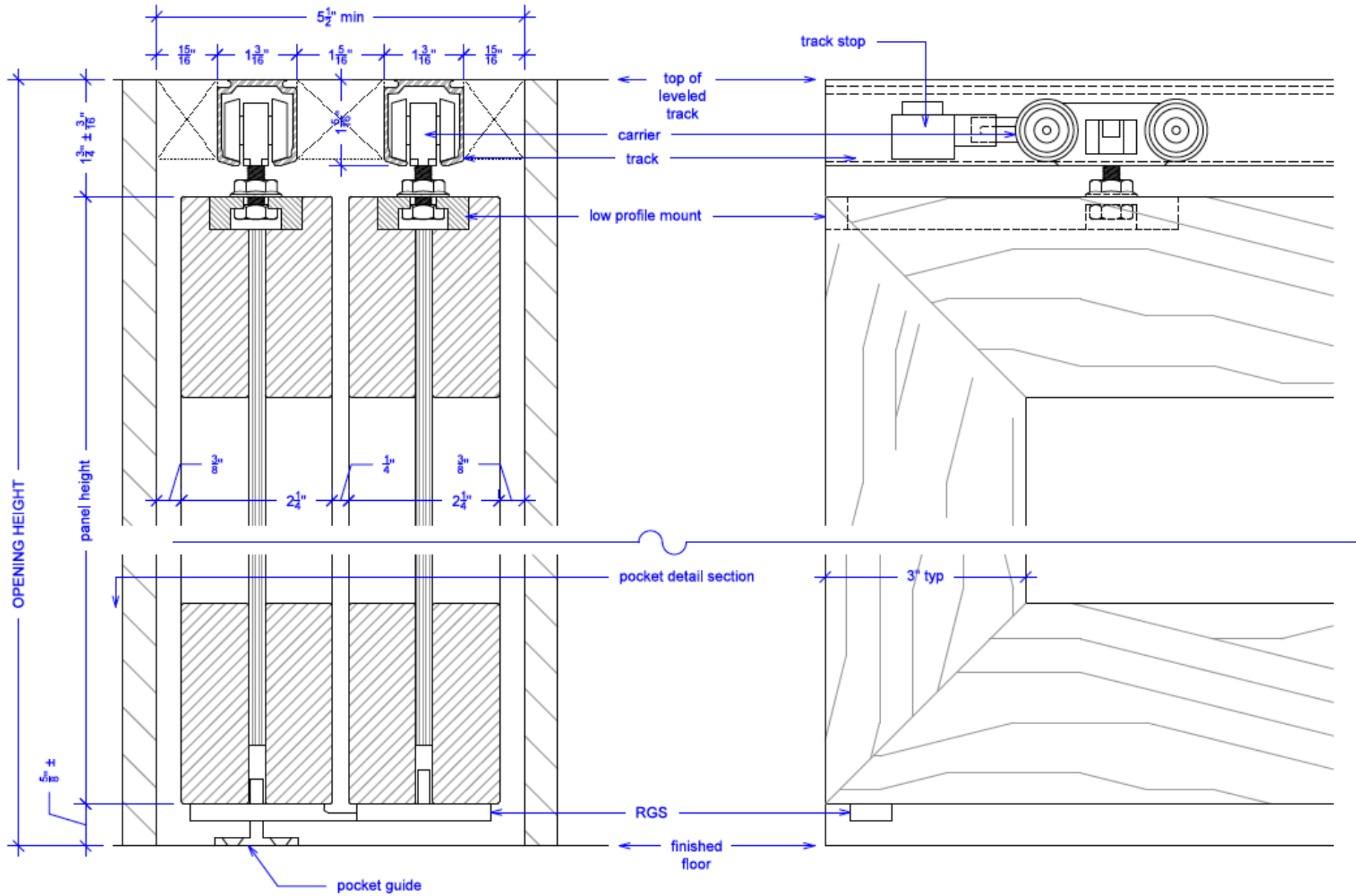




**YOUR OPENING HEIGHT = PANEL + 2-3/8"**  
**YOUR OPENING WIDTH = (PANEL x 2) - 3**



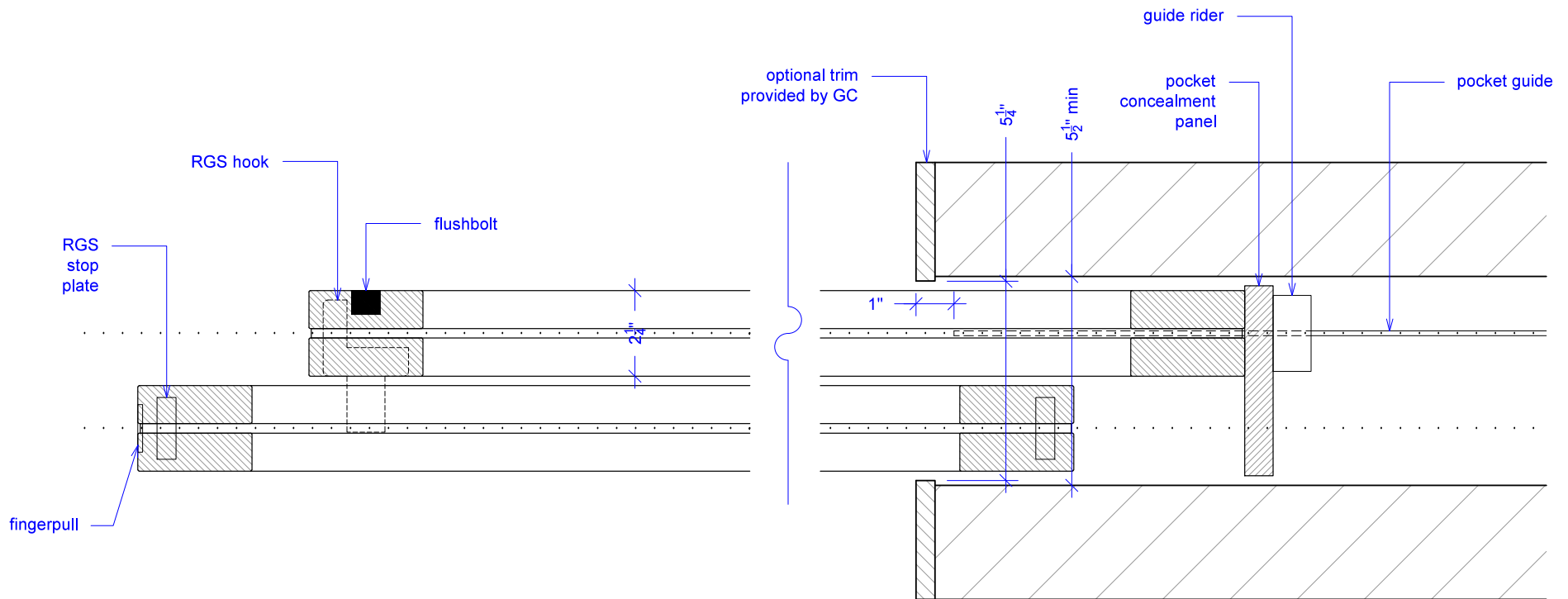
# SPW2-225





NOTE: each panel weights approximately 75-110 lbs.  
Secure tracks accordingly.

NOTE: pocket depth should be 2"  
deeper than width of doors

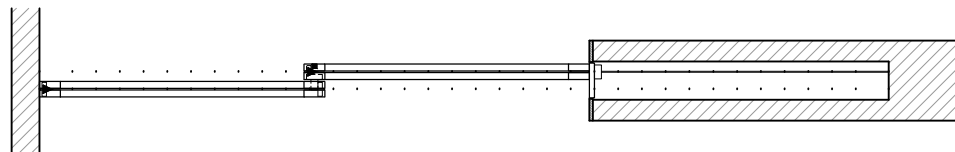
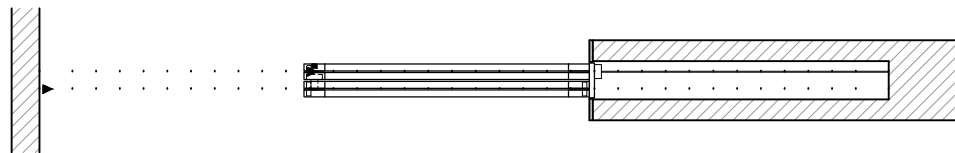
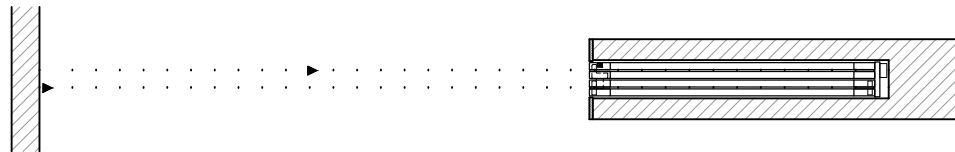


Guide rider is a block with a slit for the pocket guide; it allows for full extension, attach to bottom of concealment panel.

# SPW2 Operation Overview



NOTE: each panel weights approximately 75-110 lbs.  
Secure tracks accordingly.



KEY:

	left RGS hook		RGS stop		pocket guide		track stop
---	---------------	---	----------	---	--------------	---	------------