



1. SPECIFY OPENING

room _____

FOR INTERNAL USE

Job Number _____

Job Name _____

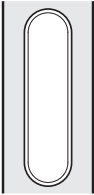
2. ADDITIONAL HARDWARE

any upgrades chosen that are not on your estimate will be an additional cost

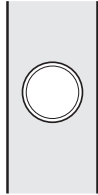
FLUSH PULLS *choose one*

none

style 150



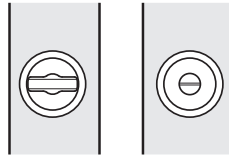
style 60



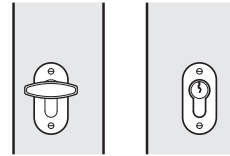
PRIVACY LOCK *choose one*

none

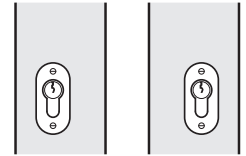
style KA
thumb turn/coin release



style AGB
thumb turn/key



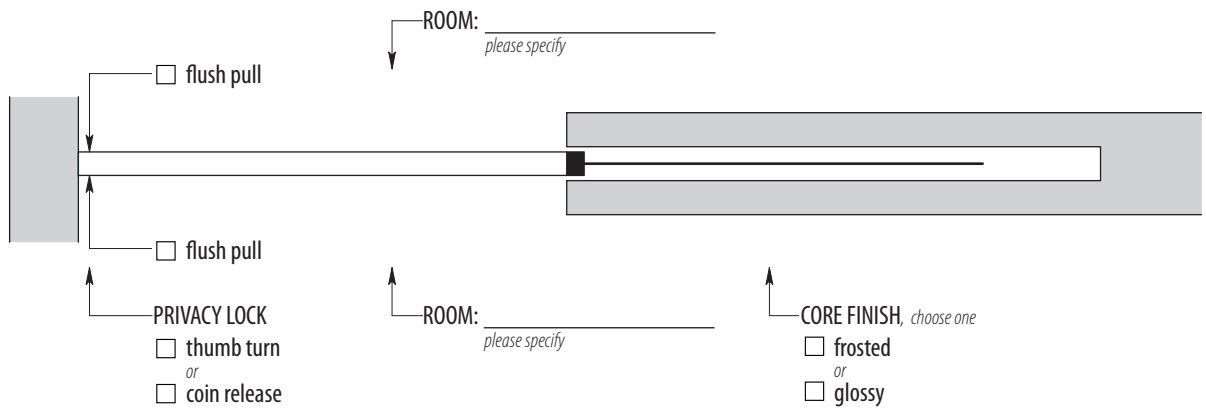
style AGB
key/key



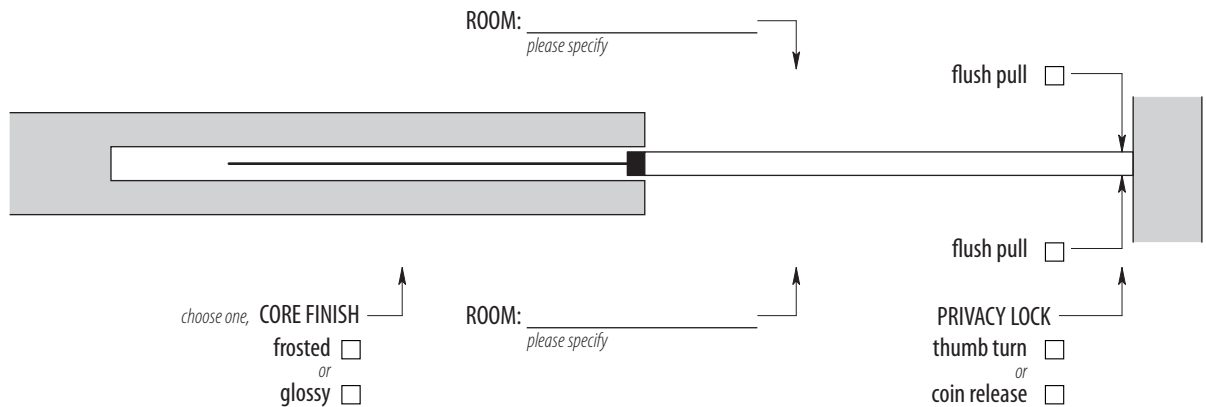
3. ORIENTATION & PLACEMENT

choose either RIGHT or LEFT stagger

RIGHT STAGGER



LEFT STAGGER



4. SIGNATURE

sign _____

date _____