

Center Pivot w/ Roller Latch, 1 Panel

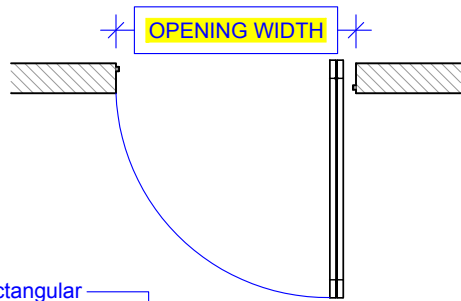
(PV1-C)

ELEVATION

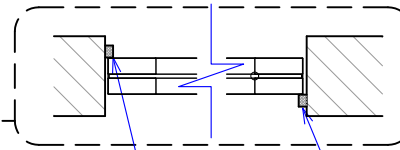
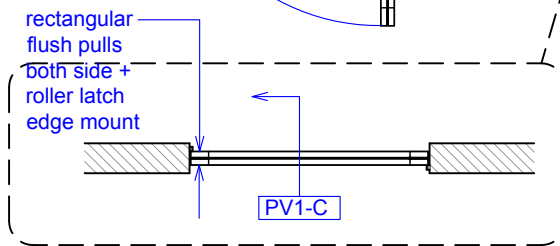
RAYDOOR STANDARD
SYSTEM DRAWINGS
©2022



PLAN: open



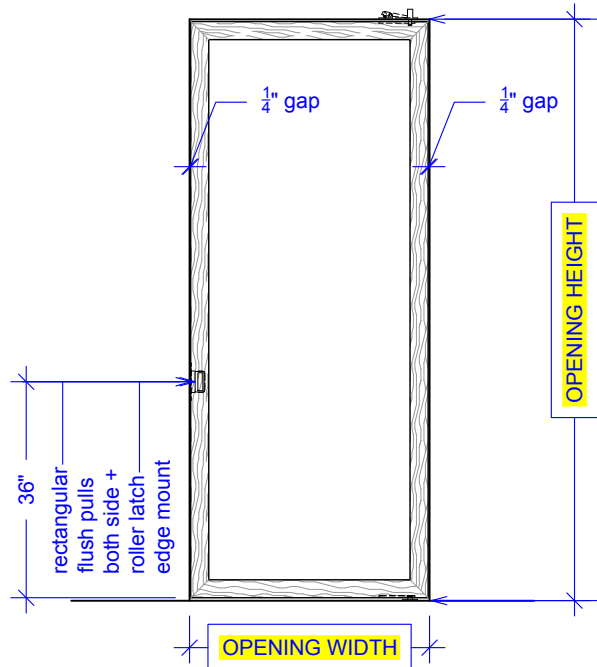
PLAN: closed



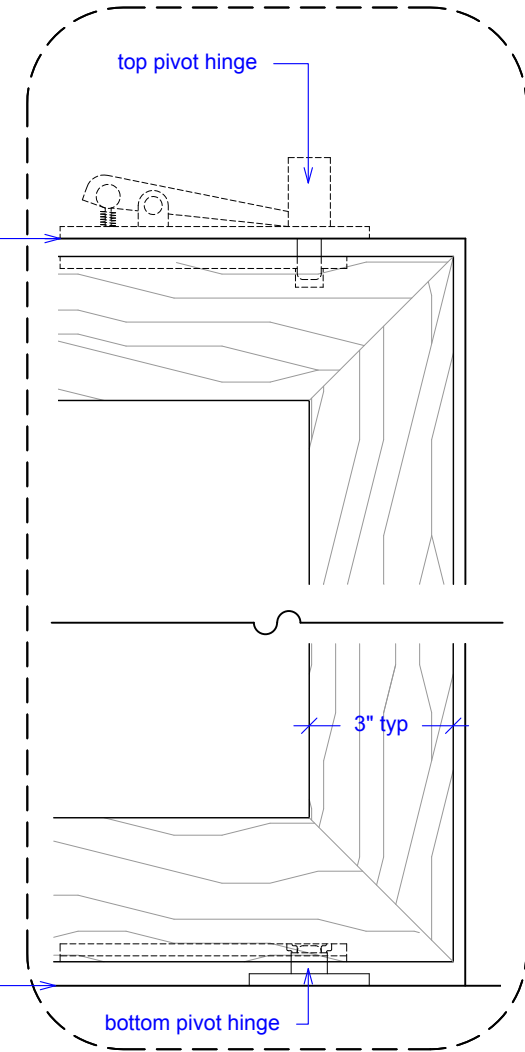
Recommended door stops (by others)

YOUR OPENING HEIGHT = PANEL + $\frac{7}{8}$ "
YOUR OPENING WIDTH = PANEL + $\frac{1}{2}$ "

ELEVATION: closed



finished floor

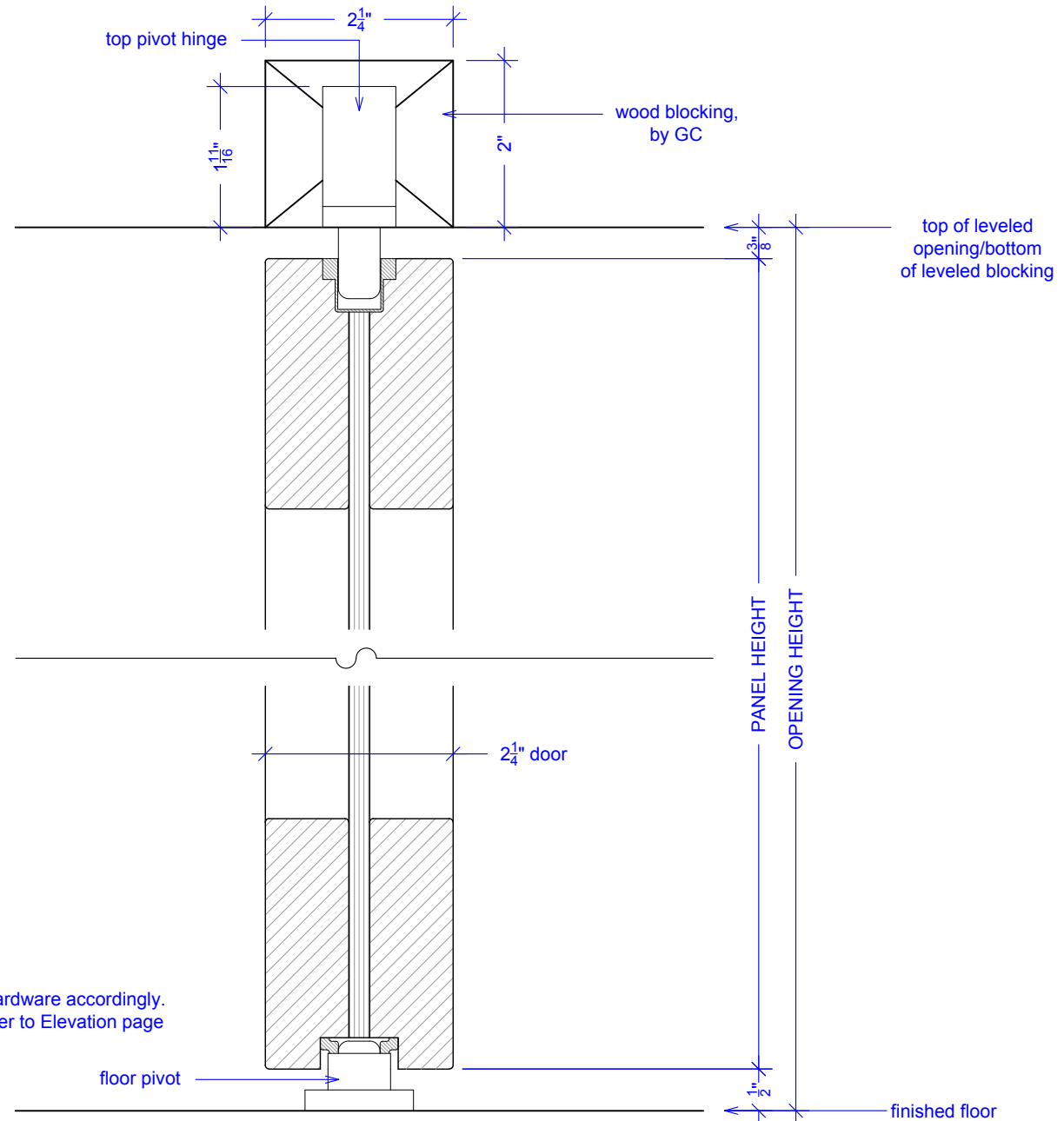


Center Pivot w/ Roller Latch, 1 Panel

(PV1-C)

SECTION

RAYDOOR STANDARD
SYSTEM DRAWINGS
©2022



IMPORTANT NOTES:

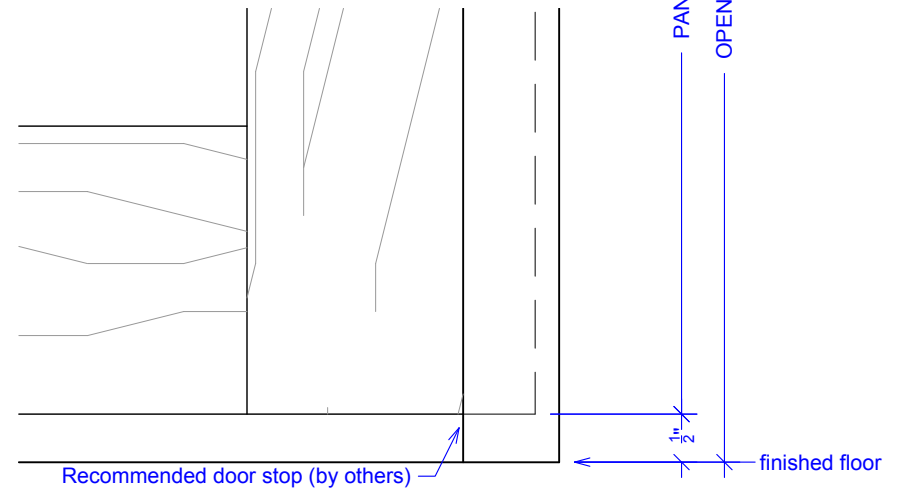
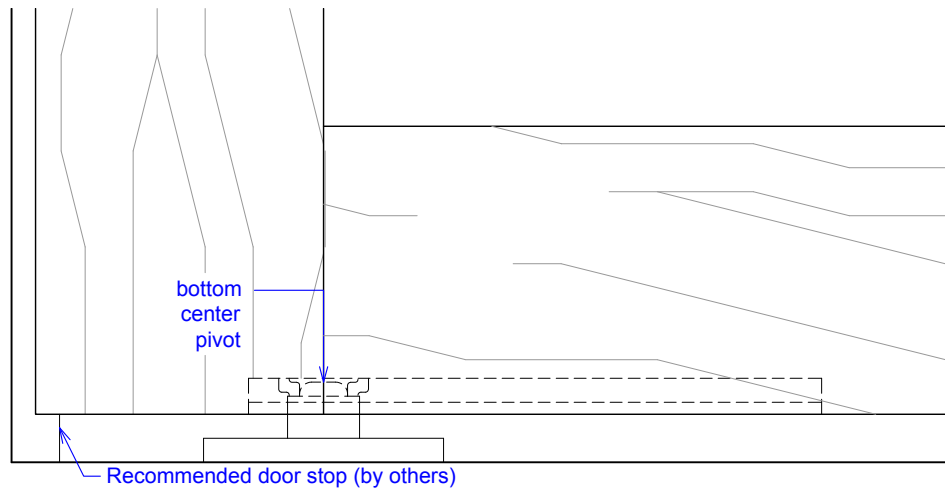
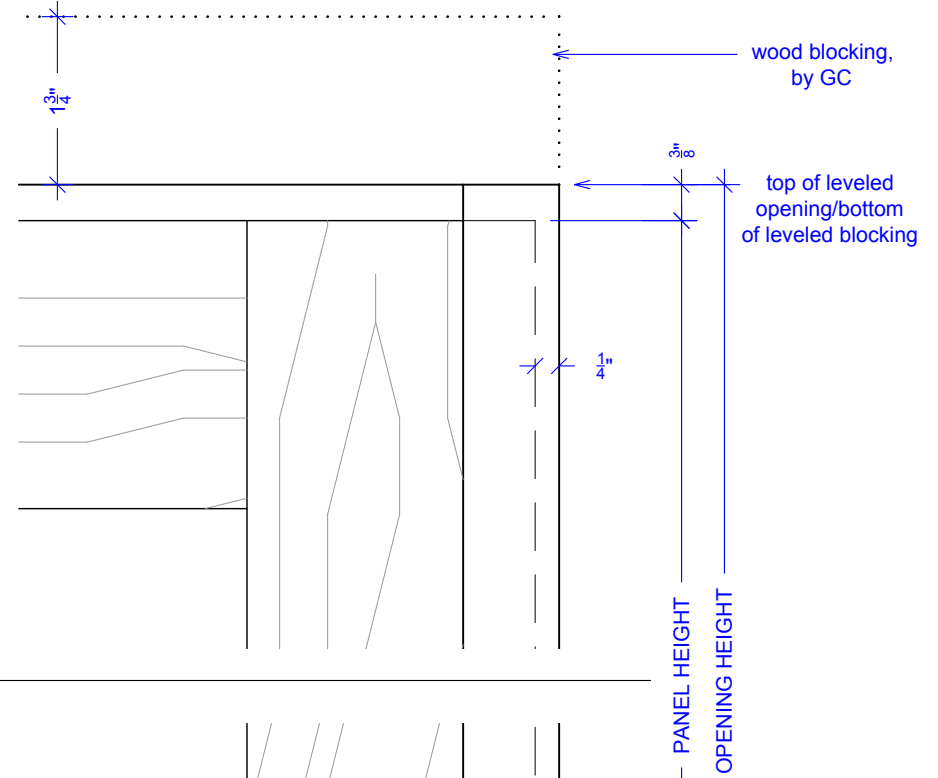
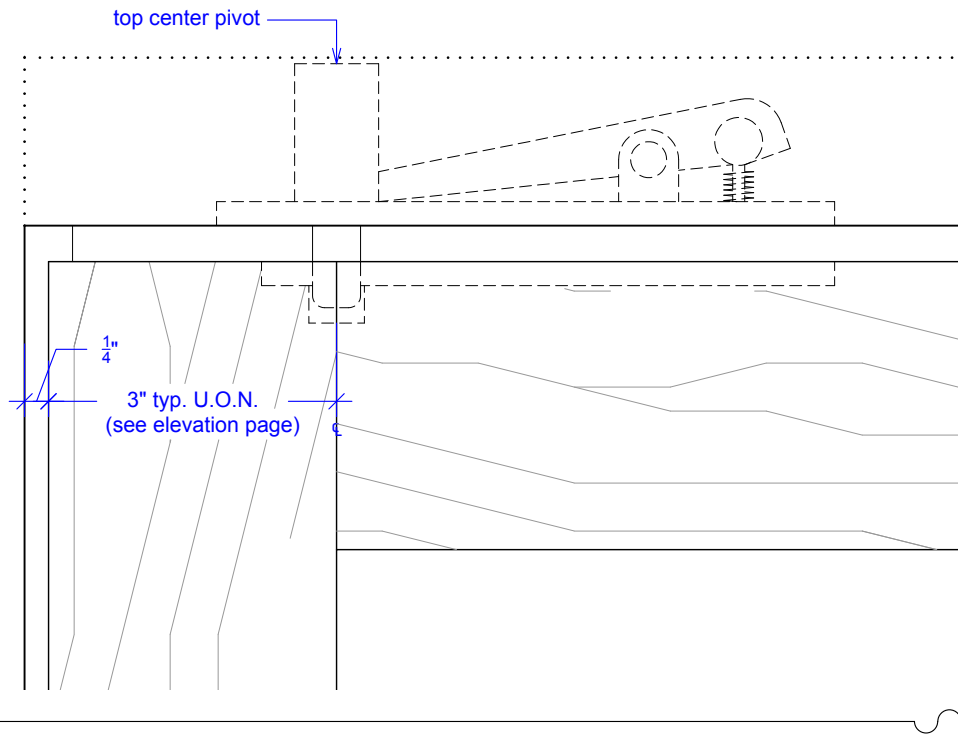
Each panel weights approximately 120-130 lbs. Secure hardware accordingly.
This page represents GENERIC system detail. Please refer to Elevation page
for your custom configuration.

Center Pivot w/ Roller Latch, 1 Panel

(PV1-C)

ELEVATION DETAILS

RAYDOOR STANDARD
SYSTEM DRAWINGS
©2022



Center Pivot w/ Roller Latch, 1 Panel

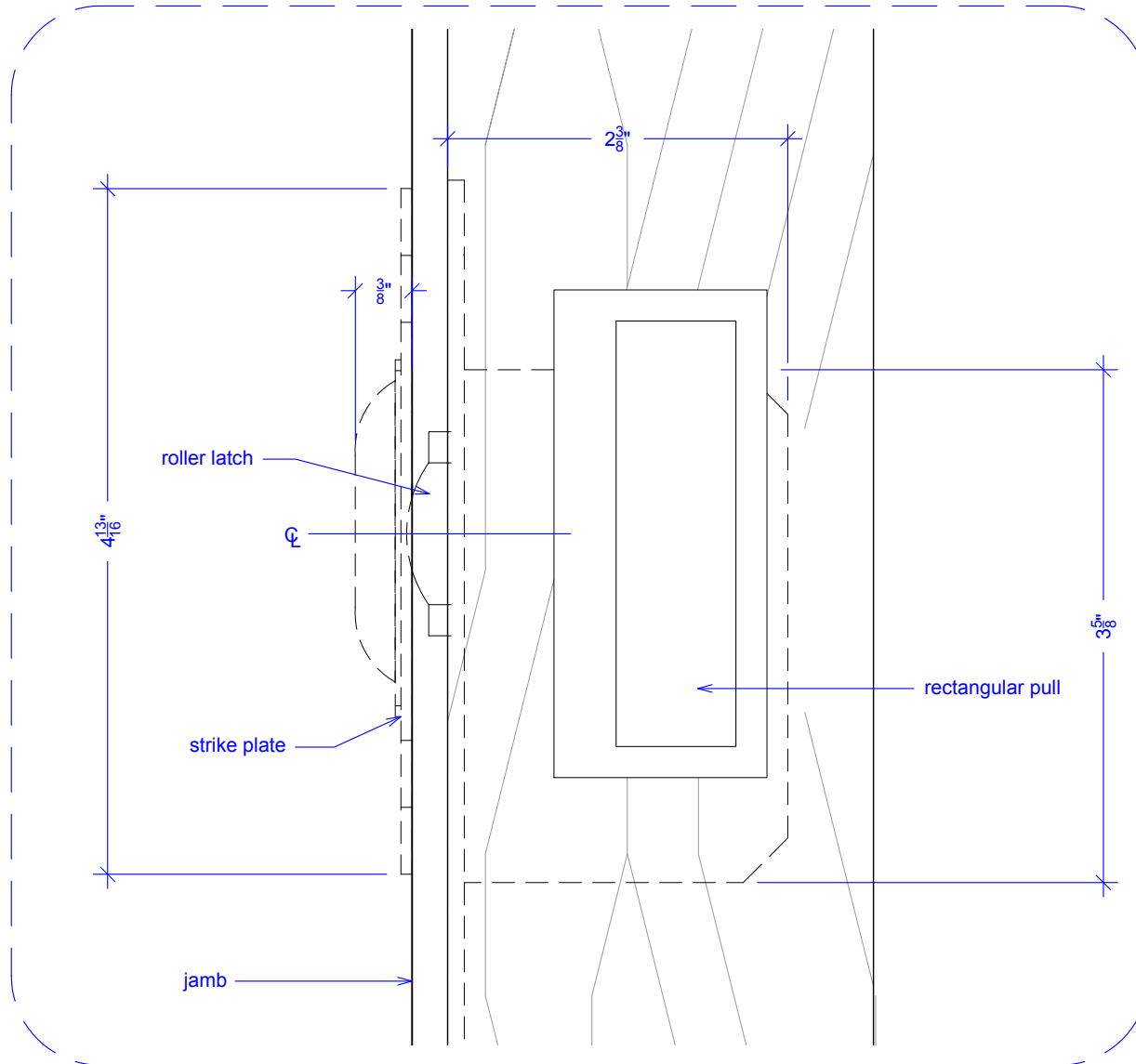
(PV1-C)

ROLLER LATCH DETAILS

RAYDOOR STANDARD
SYSTEM DRAWINGS
©2022



ELEVATION: roller latch details

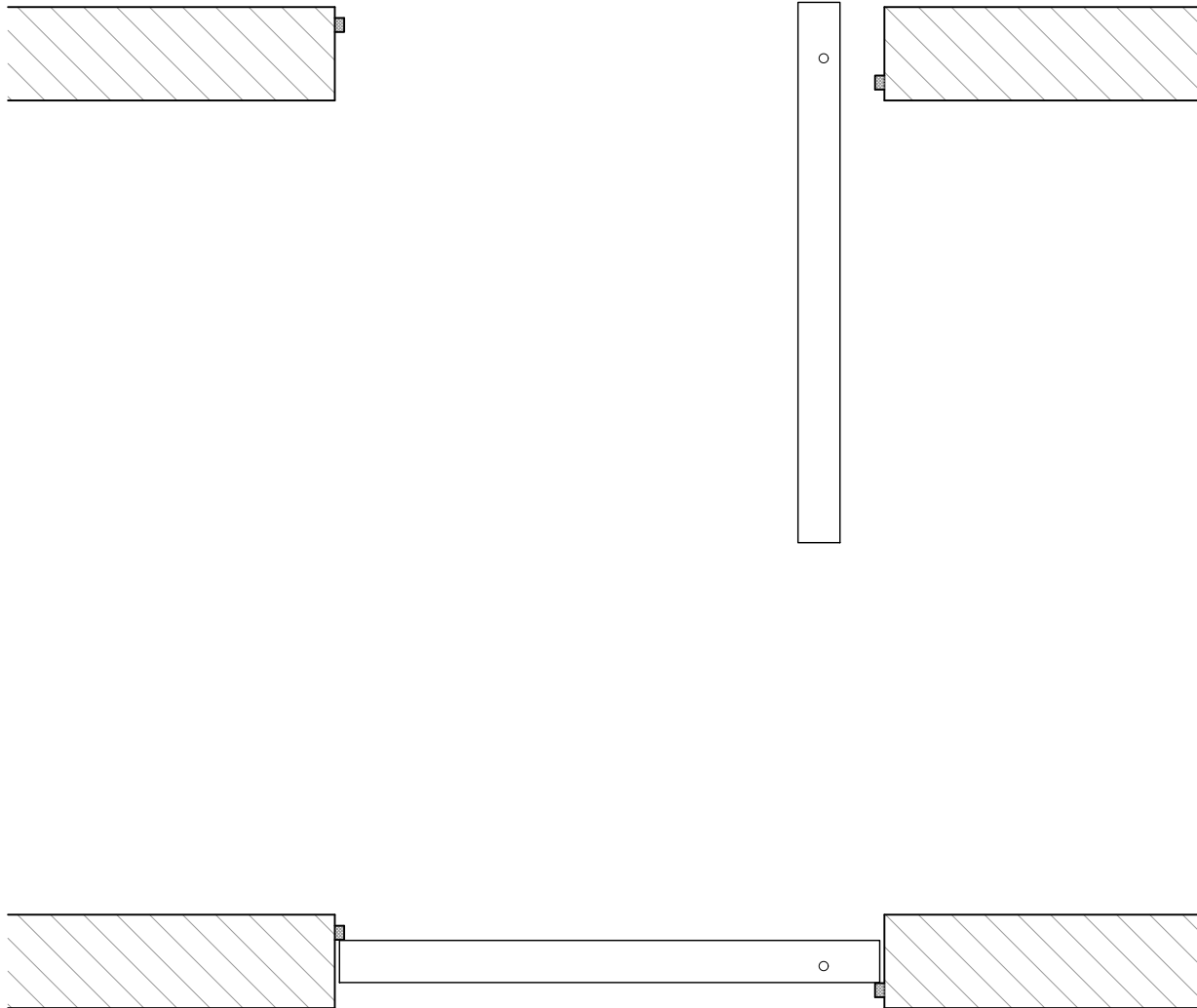


Center Pivot w/ Roller Latch, 1 Panel

(PV1-C)

OPERATION OVERVIEW

RAYDOOR STANDARD
SYSTEM DRAWINGS
©2022



KEY
○ pivot hinge ■ reccomended door stop