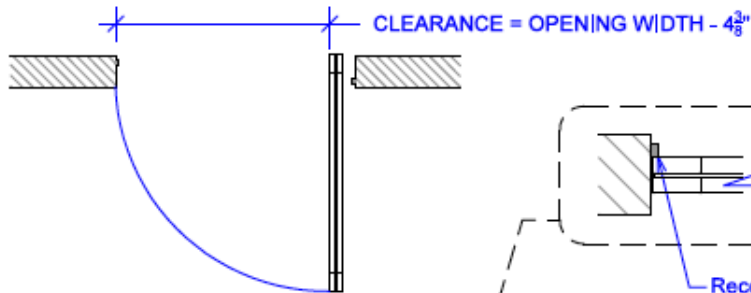


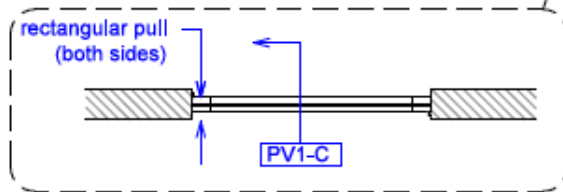
PV1 - Center Pivot w/ Ball Catch



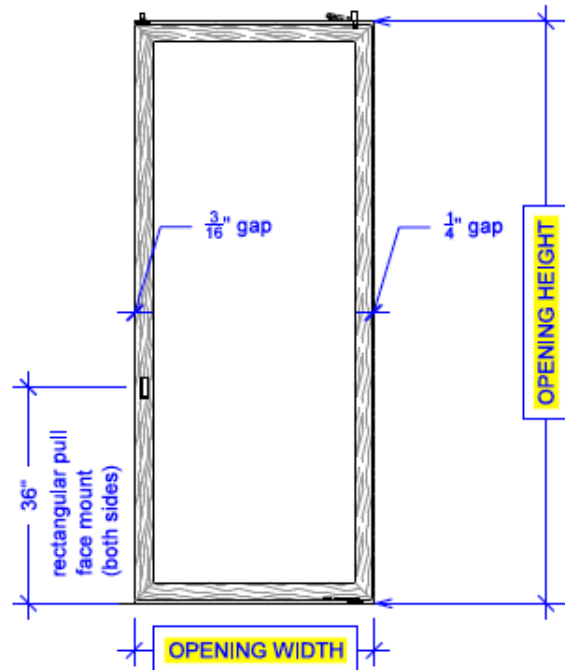
PLAN: open



PLAN: closed

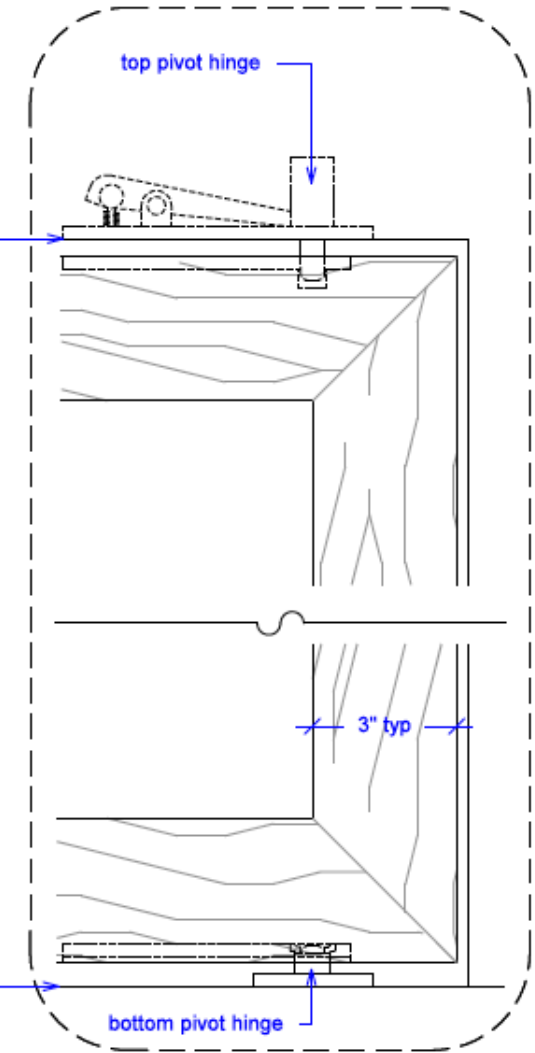


ELEVATION: closed

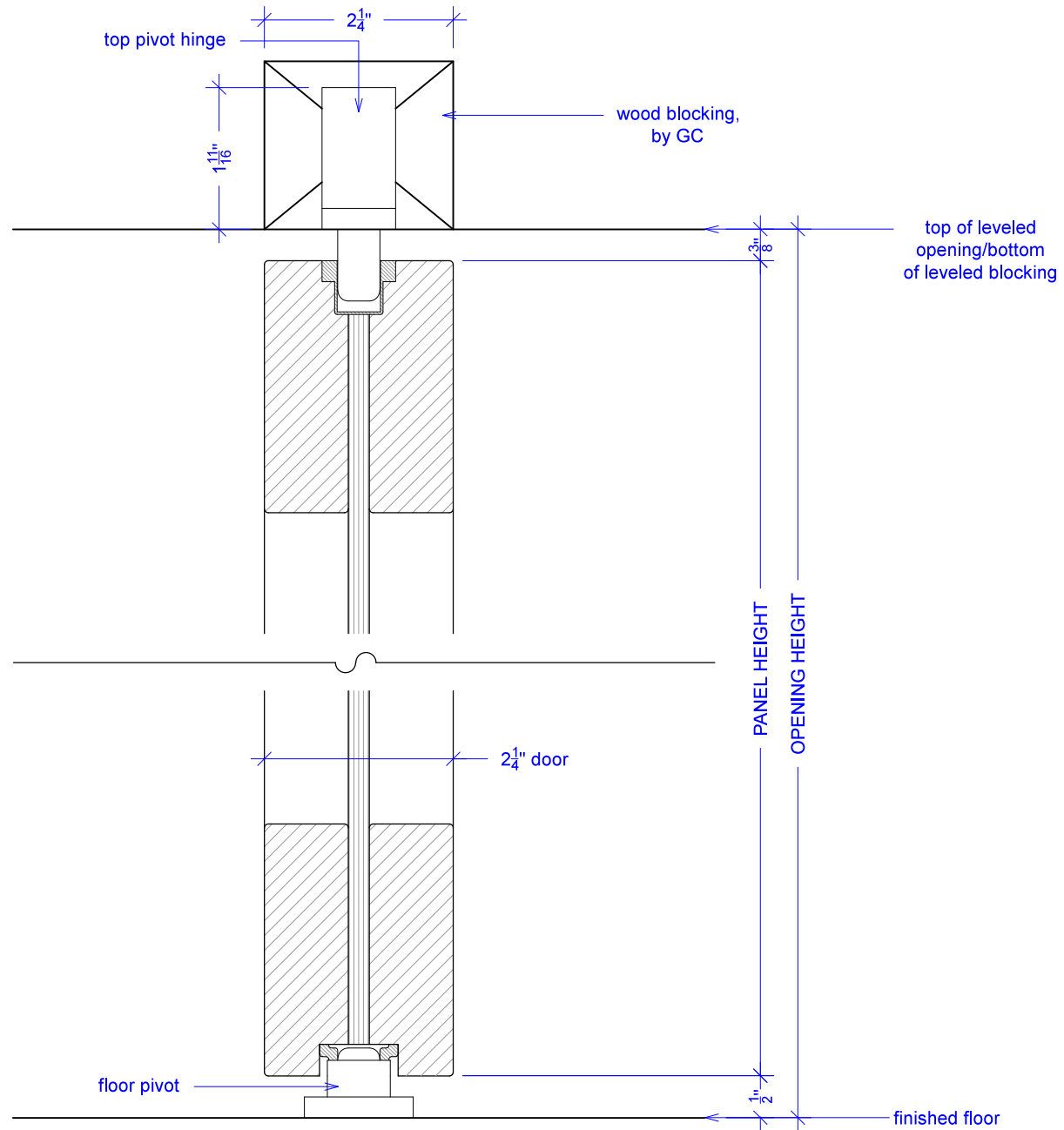


YOUR OPENING HEIGHT = PANEL + 7/8"
YOUR OPENING WIDTH = PANEL + 1/2"

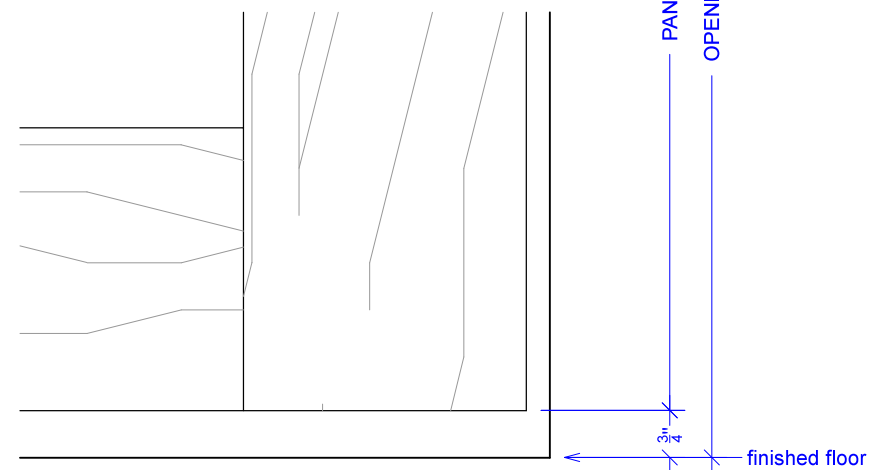
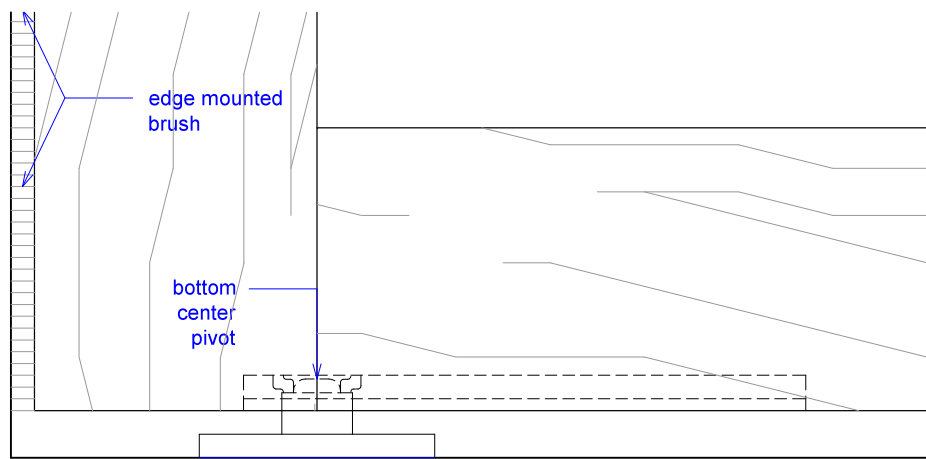
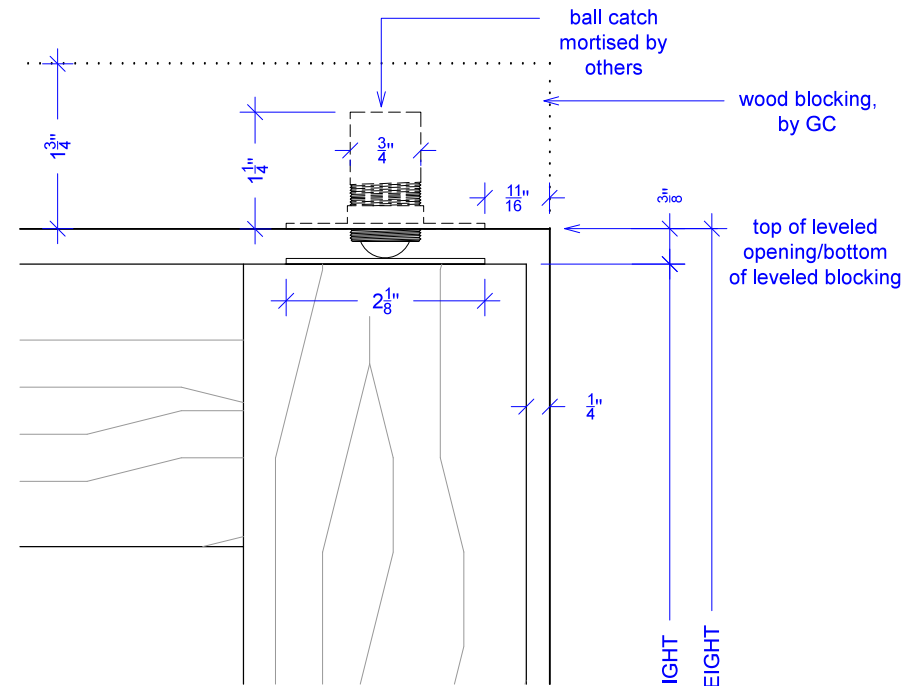
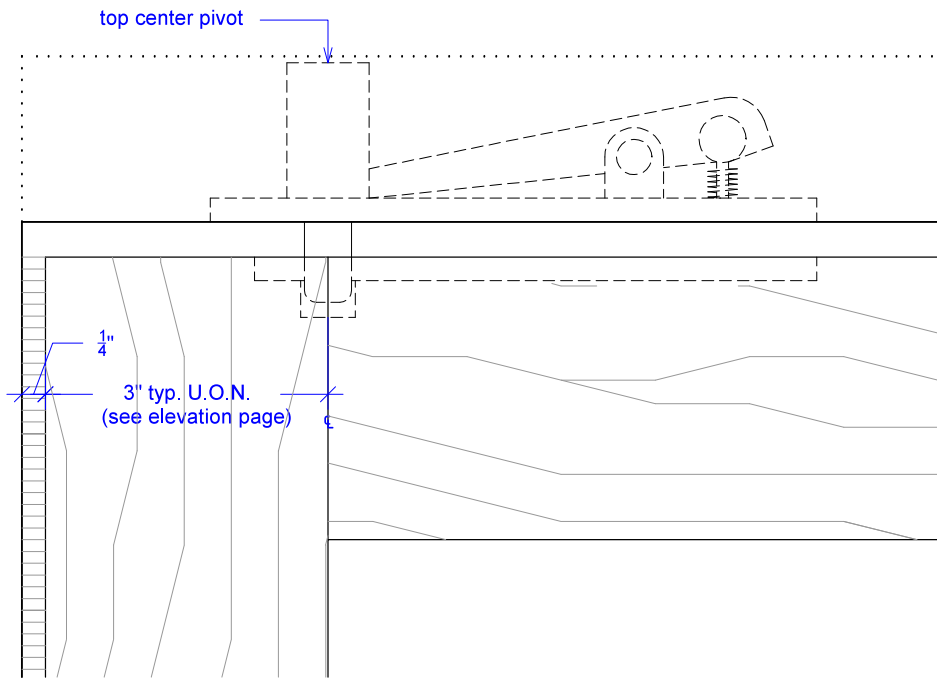
top of
leveled
opening



PV1 – Center Pivot



PV1 – Center Pivot w/ ball catch



PV1 w/ ball catch

Operation Overview

