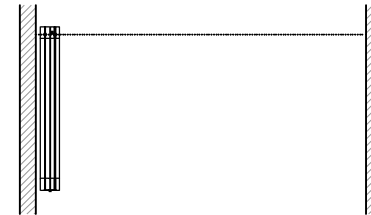


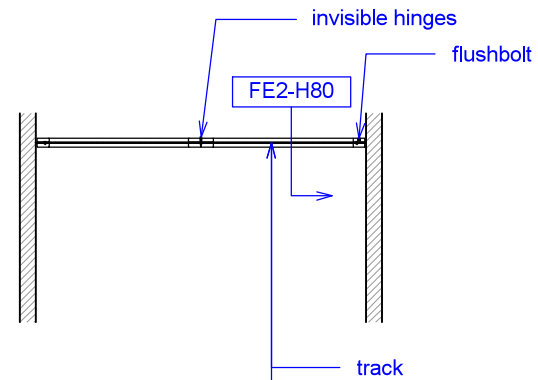


YOUR OPENING HEIGHT = PANEL + 3 1/16"
YOUR OPENING WIDTH = (PANEL x 2) + 1"

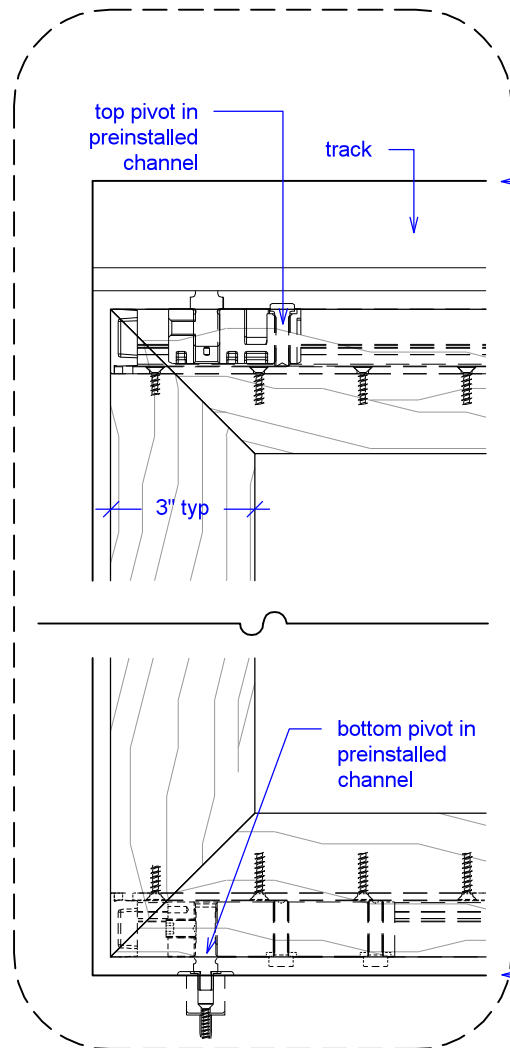
PLAN: open



PLAN: closed



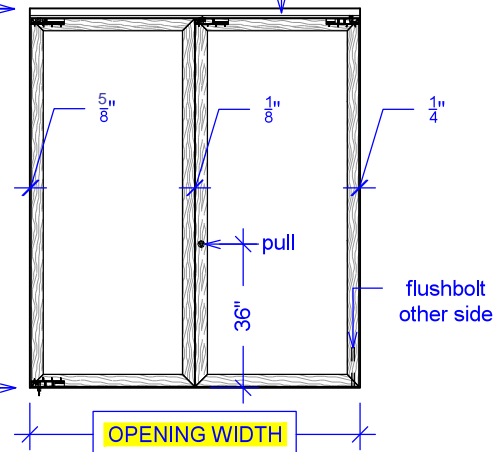
ELEVATION: closed



top of leveled track

OPENING HEIGHT

finished floor

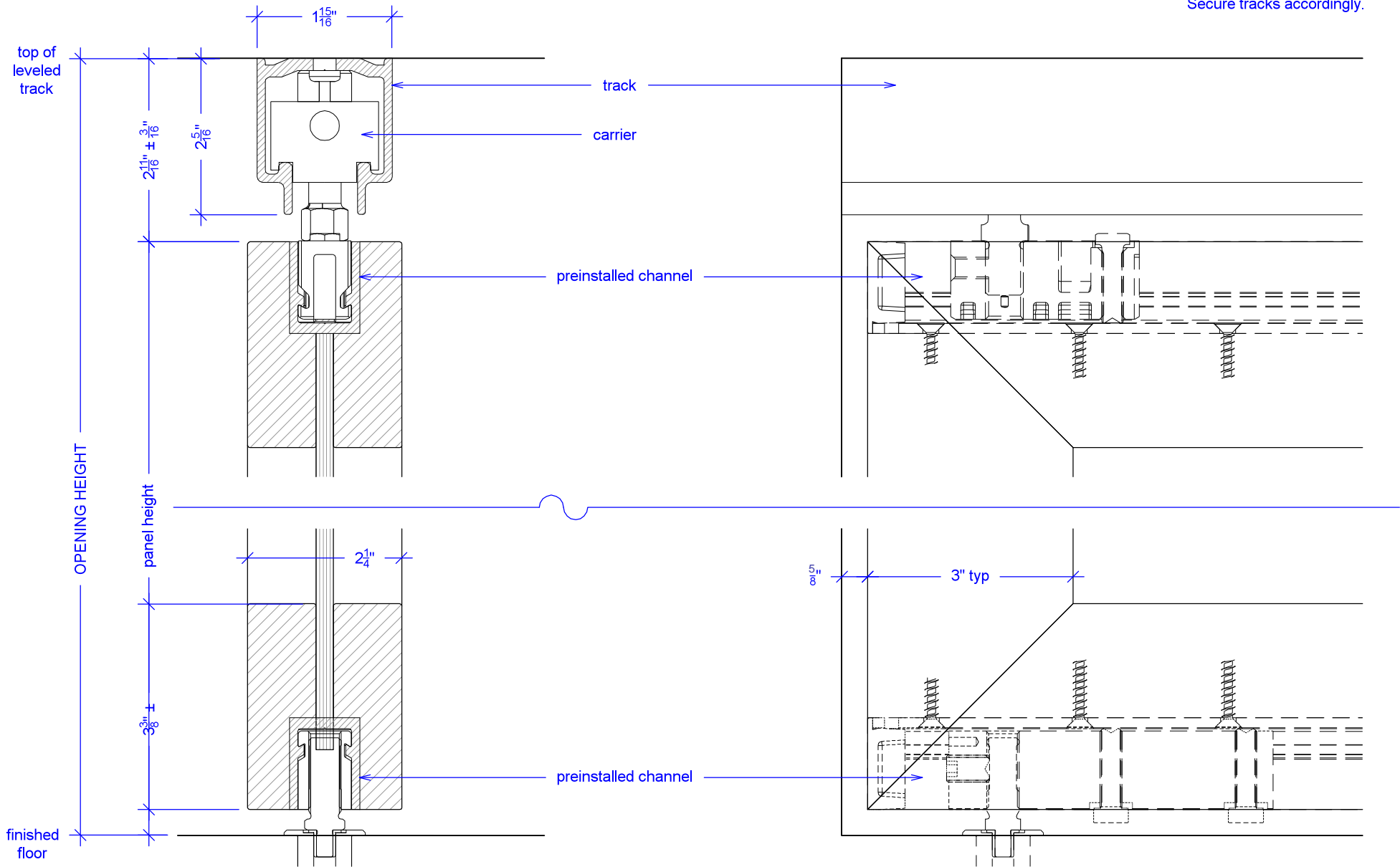


OPENING WIDTH

FE2 - 225



NOTE: each panel weights approximately 75-110 lbs.
Secure tracks accordingly.





NOTE: each panel weights approximately 75-110 lbs.
Secure tracks accordingly.

