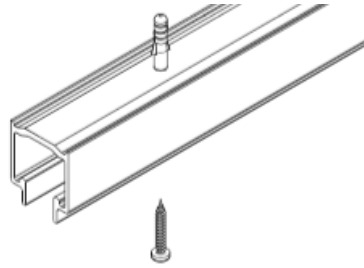
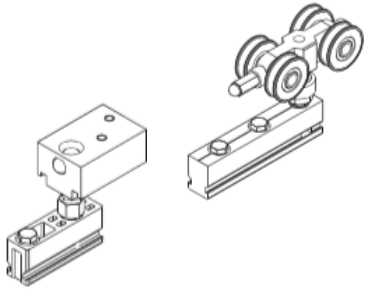
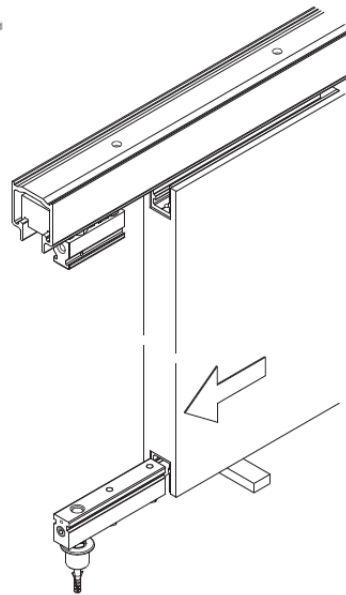




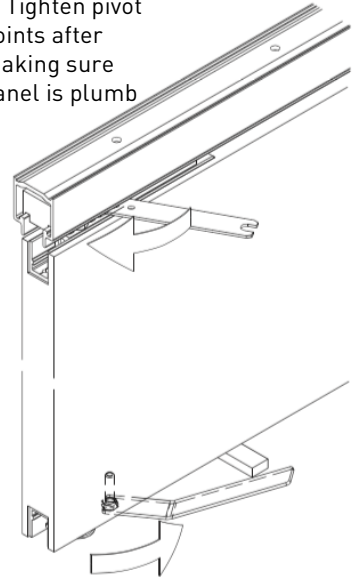
1. Insert carriers and pivots and screw track to ceiling / header



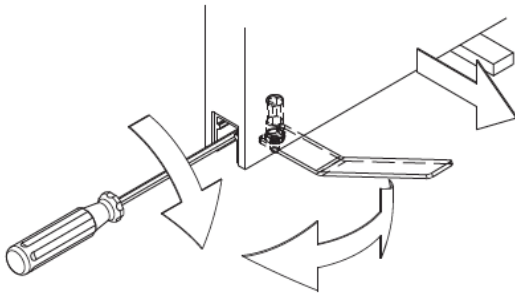
2. After mounting pivot receiver in floor, insert top and bottom pivots into edge of panel



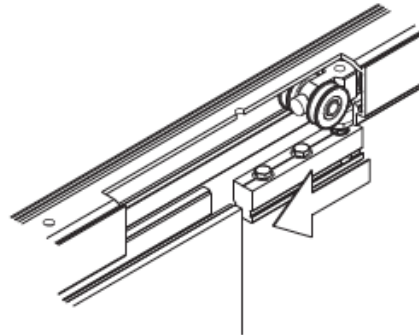
3. Tighten pivot points after making sure panel is plumb



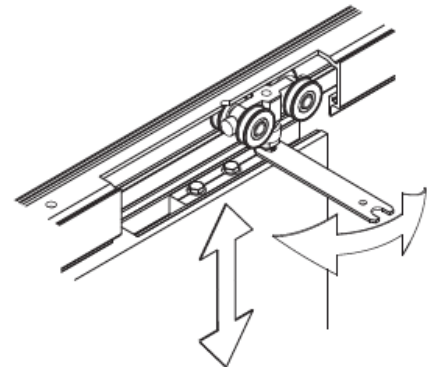
4. Adjust height of pivoting panel and tighten



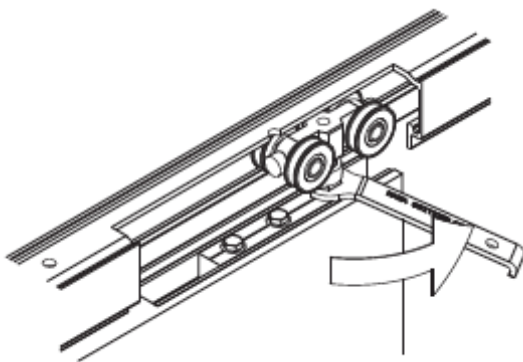
5. Insert carrier into folding panel



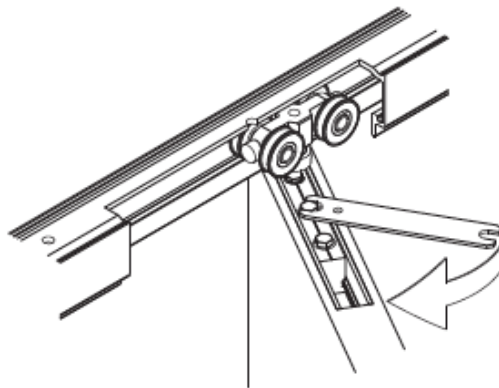
6. Adjust height of folding panel as necessary and tighten



7. Adjust height of folding panel

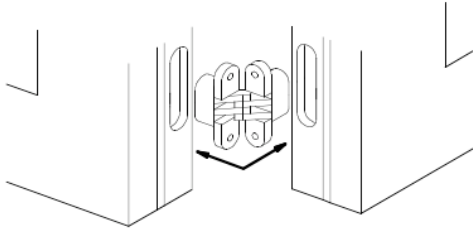


8. Fold panels before tightening

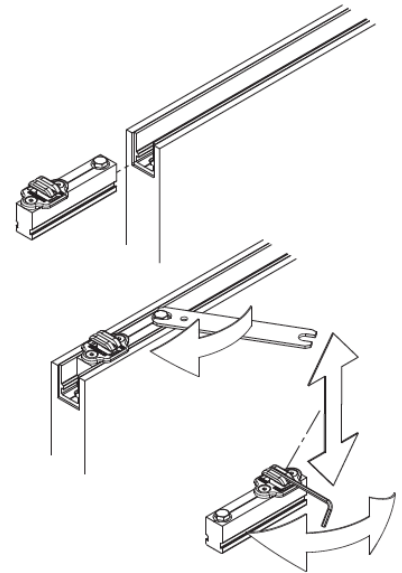




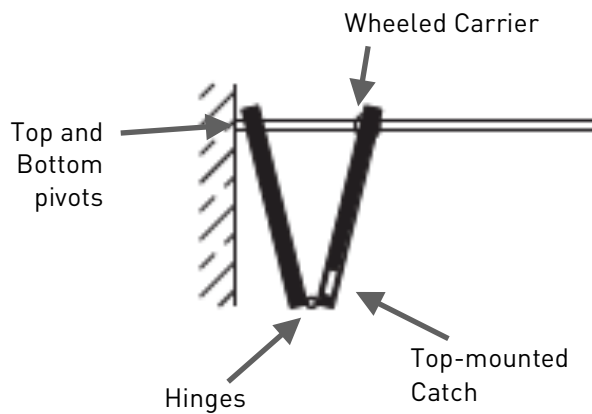
9. Insert hinges into pre-mortised slots and attach with screws – do not over-tighten



10. Insert catch into folding door with wheeled carriers, tighten and adjust as necessary



Hardware Locations:



11. Insert caps into channels

