

Folding End, 2 Panels

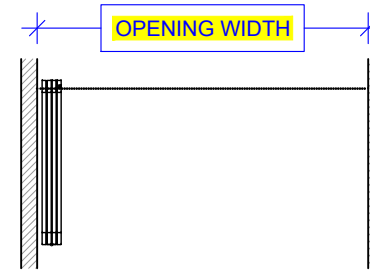
(FE2)

ELEVATION

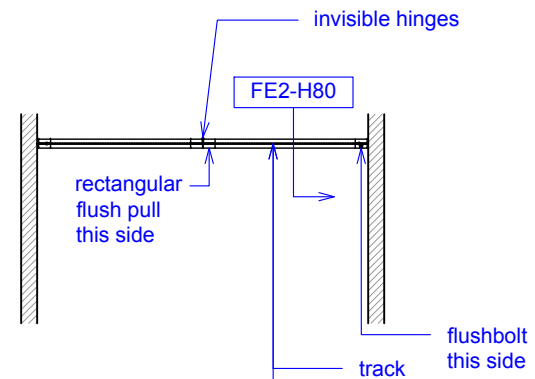
RAYDOOR STANDARD
SYSTEM DRAWINGS
©2022



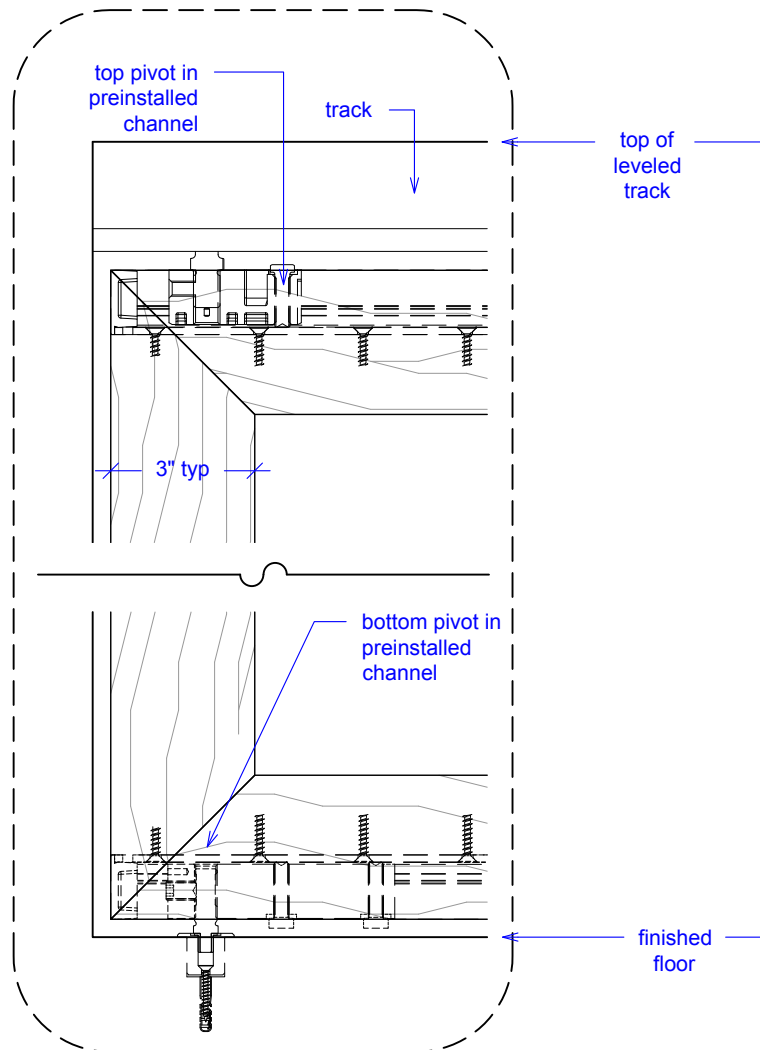
YOUR OPENING HEIGHT = PANEL + $3\frac{1}{16}$ "
YOUR OPENING WIDTH = (2 x PANEL) + $\frac{15}{16}$ "



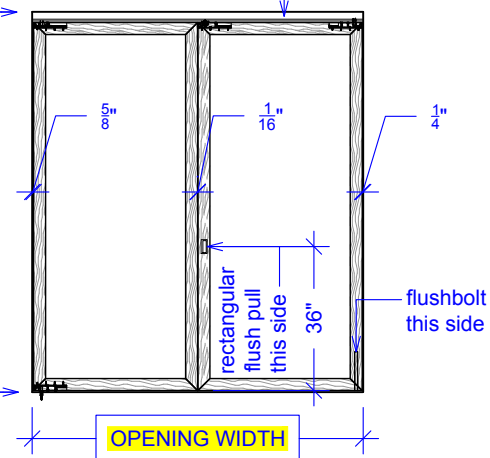
PLAN: open



PLAN: closed



ELEVATION: closed



OPENING HEIGHT

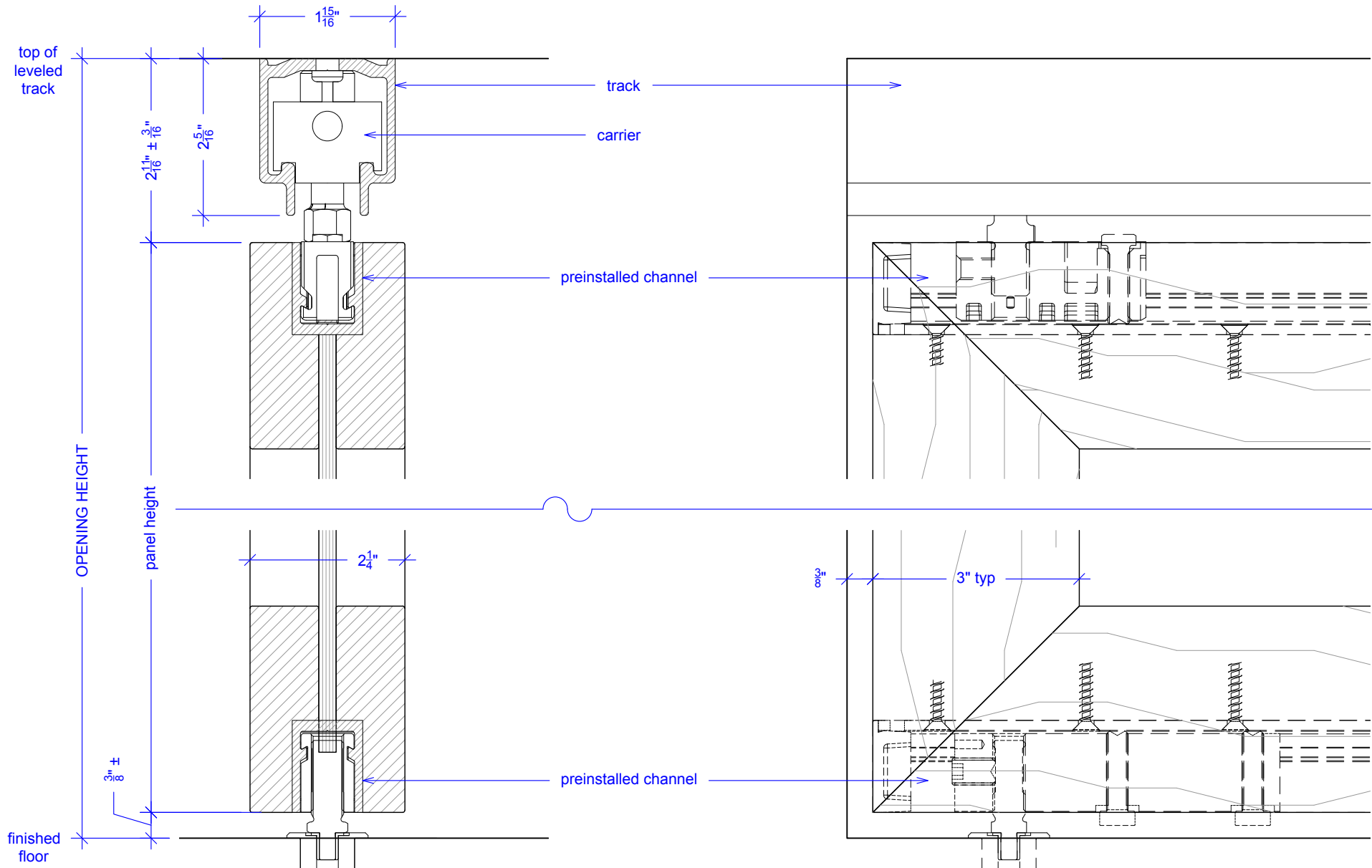
OPENING WIDTH

Folding End, 2 Panels

(FE2)

SECTION

RAYDOOR STANDARD
SYSTEM DRAWINGS
©2022



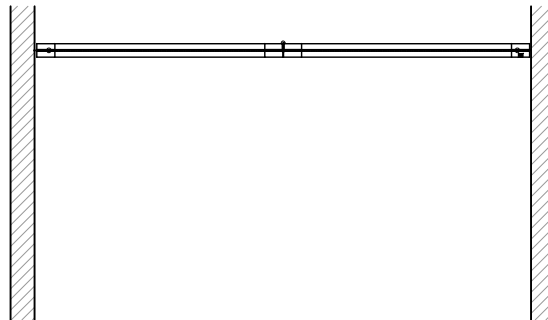
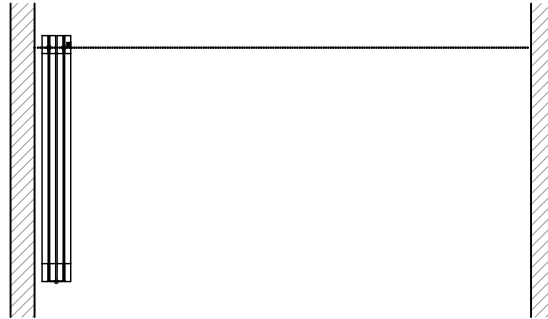
NOTE: each panel weights approximately 75-110 lbs.
Secure tracks accordingly.

Folding End, 2 Panels

(FE2)

OPERATION OVERVIEW

RAYDOOR STANDARD
SYSTEM DRAWINGS
©2022



KEY:

◦ pivot

┆ hinge

▪ flushbolt