

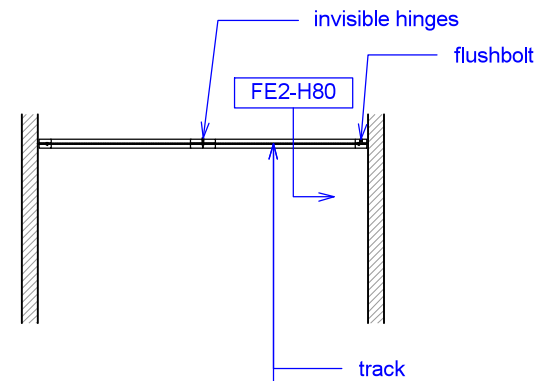


**YOUR OPENING HEIGHT = PANEL + 3 1/16"**  
**YOUR OPENING WIDTH = (PANEL x 2) + 1"**

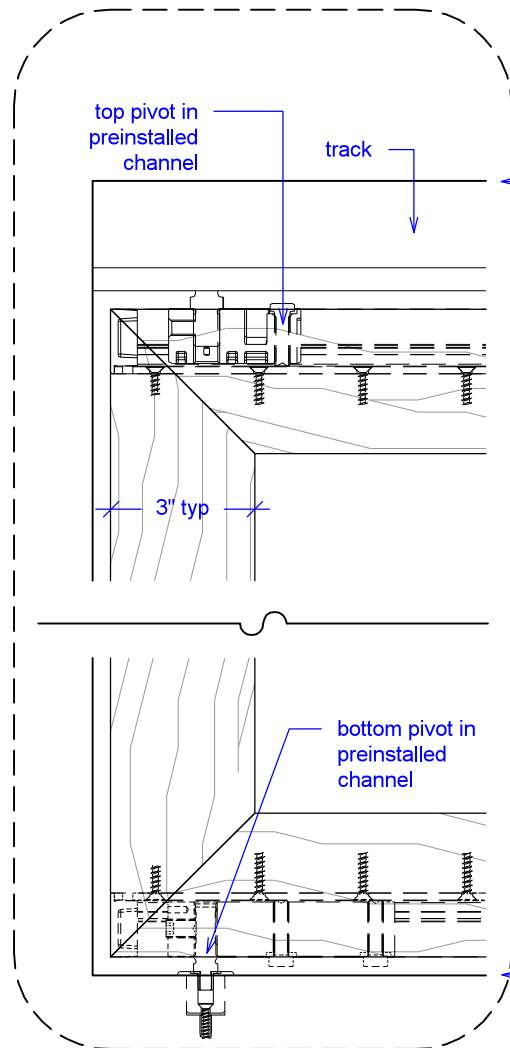
PLAN: open



PLAN: closed

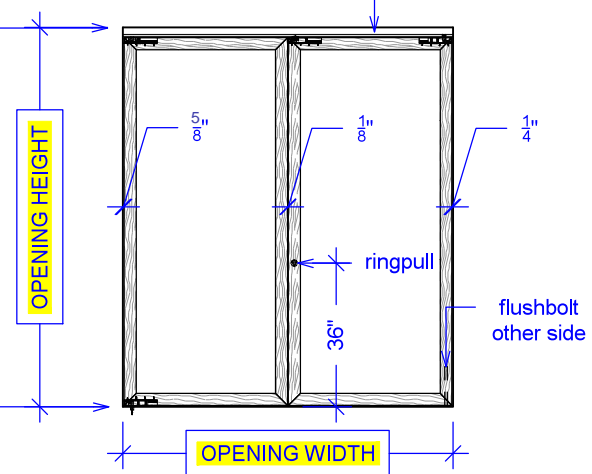


ELEVATION: closed



top of leveled track

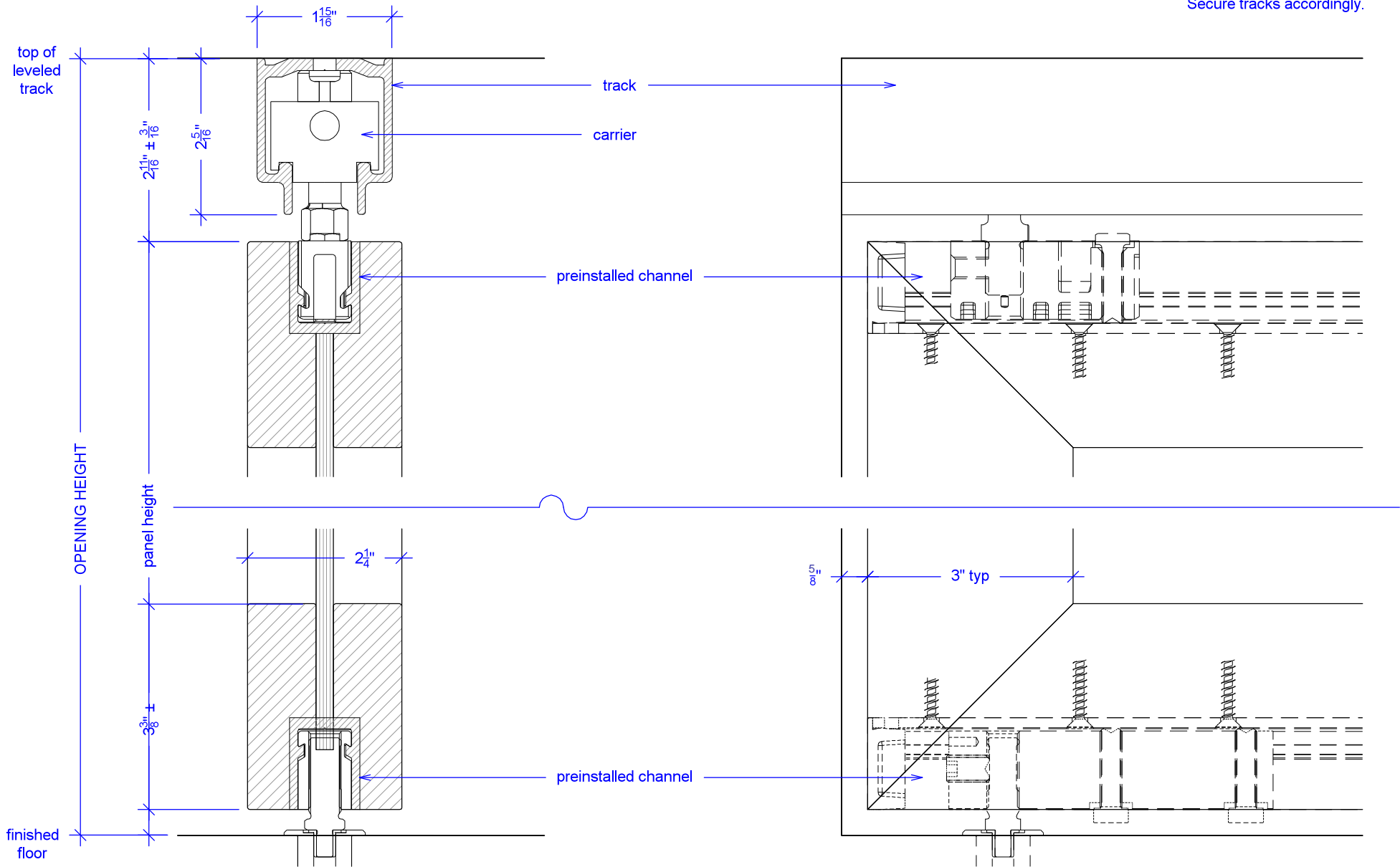
finished floor



# FE2 - 225



NOTE: each panel weights approximately 75-110 lbs.  
Secure tracks accordingly.





NOTE: each panel weights approximately 75-110 lbs.  
Secure tracks accordingly.

